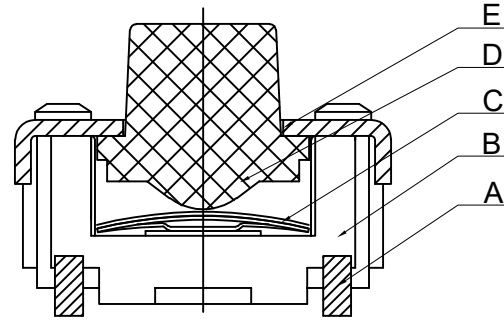
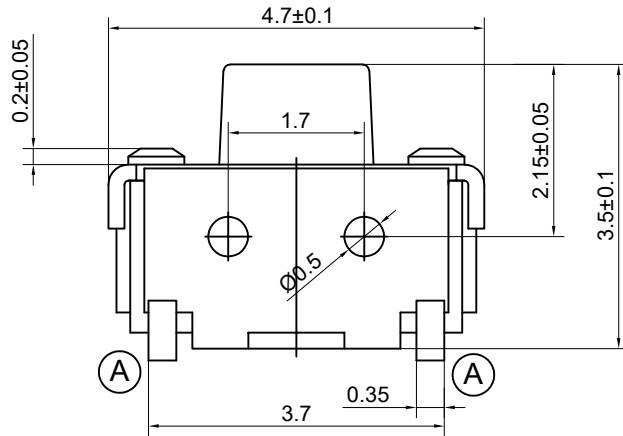
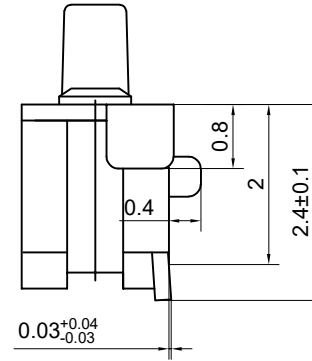
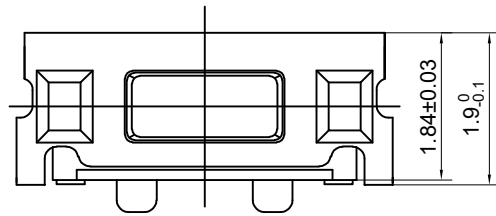
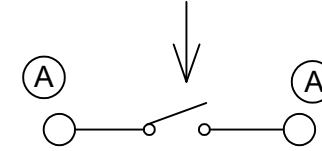


RoHS Compliant

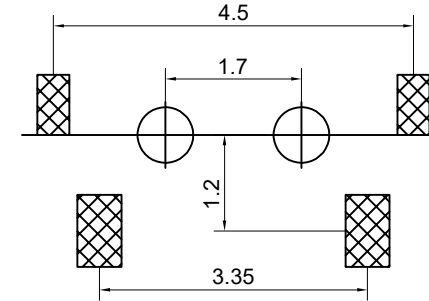
REVISIONS			
REV.	DESCRIPTION	DATE	DESIGN



Circuit Diagram



PCB layout



主要技术指标:
Main Specifications:

气候等级 Climate grade	额定值 Rated values	接触电阻 Contact resistance	耐压 Dielectric strength	绝缘电阻 Insulation resistance	行程 Travel	寿命 Life
-30°C~+85°C	Max50 mA12V Min10 μA1V DC	≤100mΩ	100V. AC. 1Min	≥100MΩ	0.18±0.05mm	250gf 30000次

序号	名称	数量	材料	备注
5	引脚	1	C5191	镀银
4	塑胶底座	1	LCP	白色
3	弹片	2	SUS301-Ag0.3	单面镀银
2	塑胶按钮	1	LCP	黑色
1	盖板	1	C5191H	镀银

Bestcreate Technology Limited

TOLERANCES UNLESS OTHERWISE SPECIFIED:

X.	±	0.45	X'	±	5'
.X	±	0.35	.X'	±	2'
.XX	±	0.25	.XX'	±	1'

Website:www.bsc-elec.com
Email:bestcreate@bsc-elec.com

DESIGN: I.L
DATE: 2017.3.1

CHECKED: C.W
DATE: 2017.3.1

APPROVED: C.W
DATE: 2017.3.1

TITLE: TOUCH SWITCH(4059SERIES)

MATERILA:	PART NO: K-W104350A6-D	SIZE: A4
FINSH:	DWG NO: K-W104350A6-D	1 OF 2

REV: A	UNIT mm	SCALE 1=1	QUALITY SYMBOLS
--------	---------	-----------	-----------------

RoHS Compliant

REVISIONS			
REV.	DESCRIPTION	DATE	DESIGN

包装流程: 图1 图2 图3 图4

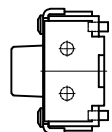


图1

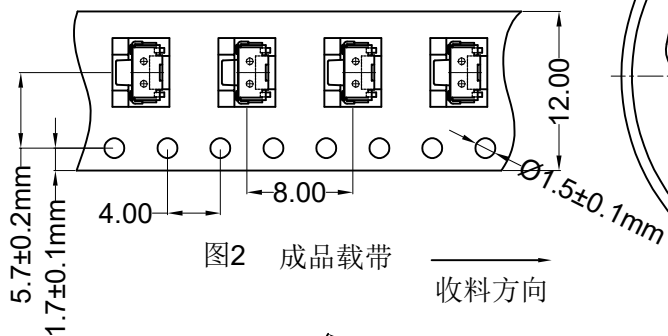
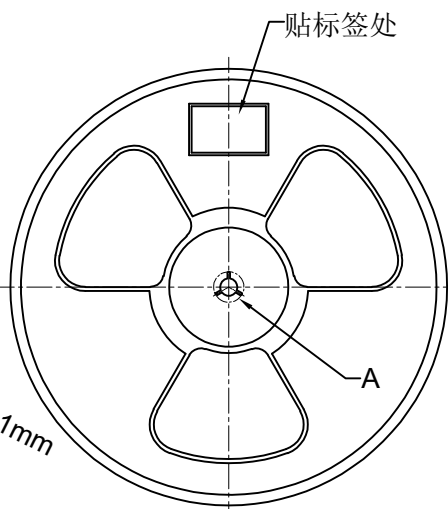


图2 成品载带

收料方向



SCALE 1/10

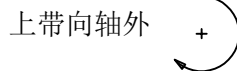
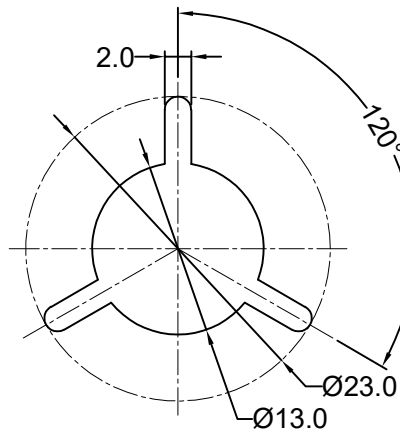
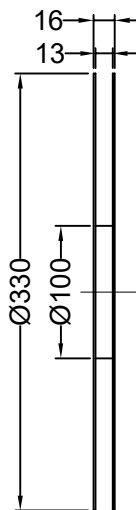


图3 盘装料盘



SCALE A=10/1

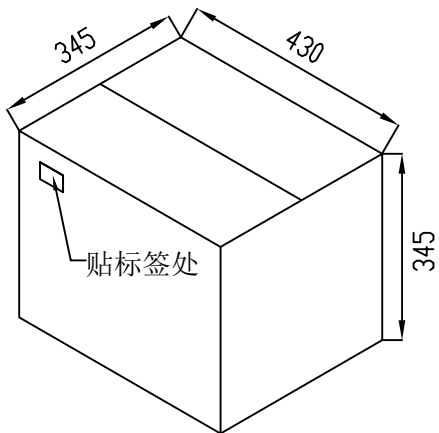


图4 外箱

备注:

图3 盘装料盘 每盘包装数量3000PCS/盘。

图4 每箱 (430X345X345) 包装数量25盘, 共75000PCS

Bestcreate Technology Limited

TOLERANCES UNLESS OTHERWISE SPECIFIED:

X.	±	0.45	X.'	±	5'
.X	±	0.35	.X'	±	2'
.XX	±	0.25	.XX'	±	1'

Website: www.bsc-elec.com
Email: bestcreate@bsc-elec.com

DESIGN: I. L. DATE: 2017. 3. 1

CHECKED: C. W. DATE: 2017. 3. 1

APPROVED: C. W. DATE: 2017. 3. 1

TITLE: TOUCH SWITCH (4059SERIES)

MATERILA: FINSH: PART NO: K-W104350A6-D SIZE: A4

DWG NO: K-W104350A6-D 2 OF 2

REV: A	UNIT: mm	SCALE: 1=1	QUALITY SYMBOLS
--------	----------	------------	-----------------