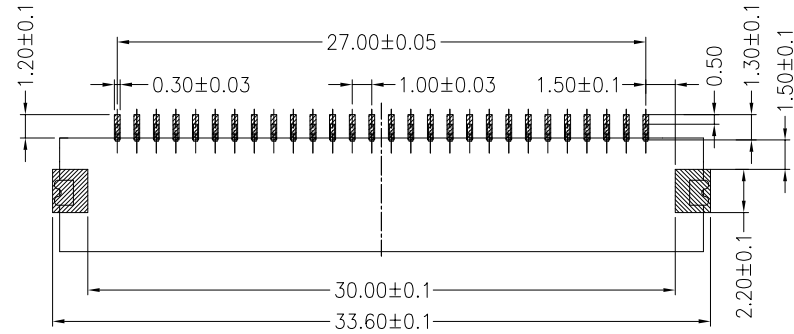
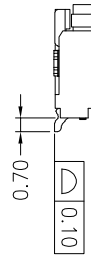
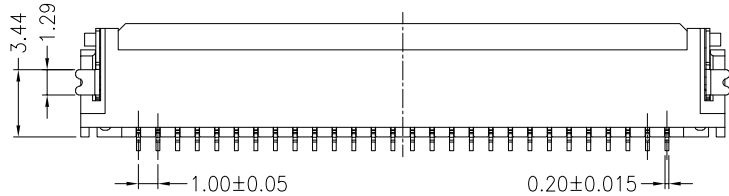
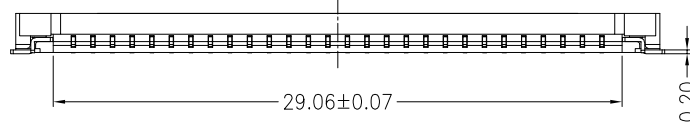
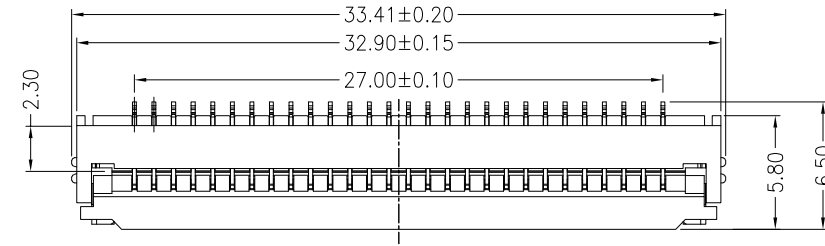


RoHS Compliant

REVISIONS			
REV.	DESCRIPTION	DATE	DESIGN



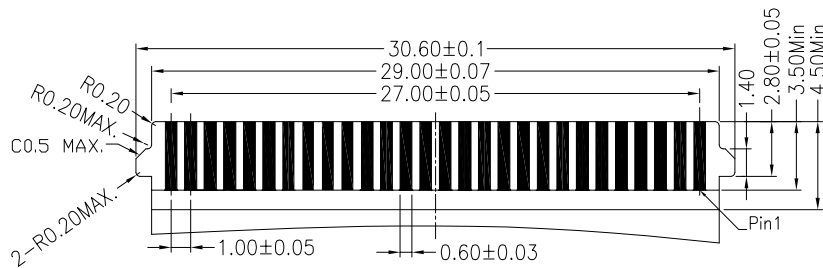
RECOMMEND PCB LAYOUT
Tolerance: ±0.05

NOTES:

- MATERIAL:
 - HOUSING:THERMOPLASTIC,HIGH TEMP,UL94V-0.COLOR IS NATURAL
 - ACTUATOR:THERMOPLASTIC,HIGH TEMP,UL94V-0.COLOR SI BLACK.
 - CONTACT:COPPER ALLOY.
 - FITTING NAIL:COPPER ALLOY.
- PLATING:
 - TERMINAL PLATING:
THE NICKEL BASE 50u"MIN
A0:GOLD FLASH OVERALL.
A3:3u"GOLD ON CONTACT AND SOLDER FOR IS GOLD FLASH OVERALL.
MS:100u"MIN.MATT TIN UNDERPLATING OVERALL.
 - FITTING NAIL:
50u"MIN.NICKEL UNDERPLATING OVERALL.
80u"MIN.MATT TIN UNDERPLATING OVERALL.
- THE COPLANARITY IS 0.10mm MAX.
- THE TRUE POSITION IS 0.10mm MAX.
- REFLOW SOLDER CAPABLE TO 260°C.

4.PART NUMBER
FPC1020-028RK-NBXXR

028: 28Pin
MS: MATT TIN
A0: GOLD FLASH ON CONTACT
A3: 3u"GOLD ON CONTACT



Applicable FPC

Bestcreate Technology Limited

TOLERANCES UNLESS OTHERWISE SPECIFIED:

.X	± 0.25	X.*	± 3*
.XX	± 0.20	.X*	± 2*
.XXX	± 0.15	.XX*	± 1*

Website:www.bsc-elec.com
Email:bestcreate@bsc-elec.com

DESIGN: I.L
DATE: 2017. 3. 1

CHECKED: C.W
DATE: 2017. 3. 1

APPROVED: C.W
DATE: 2017. 3. 1

TITLE: 1.0mm ZIF Easy-on FPC
S/T R/A H=2.0mm LOCK

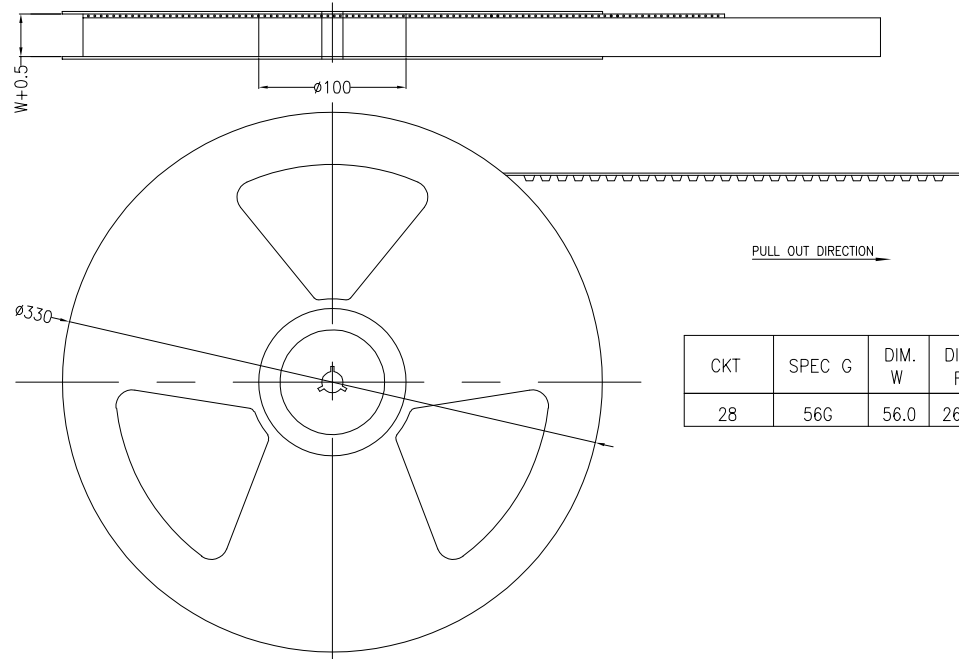
MATERIAL: PART NO: FPC1020-XXXRK-NBXXR SIZE: A4

FINISH: DWG NO: FPC1020-XXXRK-NBXXR SHEET: 1 OF 2

REV: A UNIT mm SCALE 1=1 QUALITY SYMBOLS

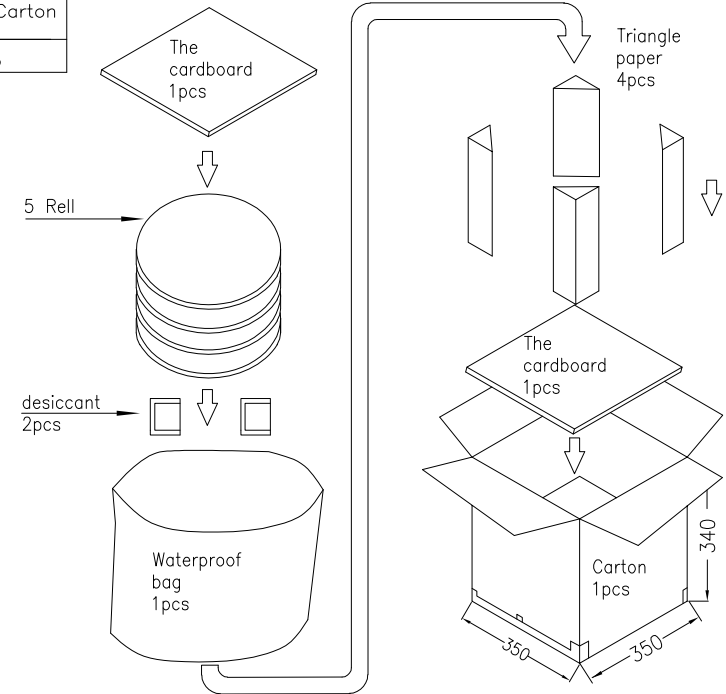
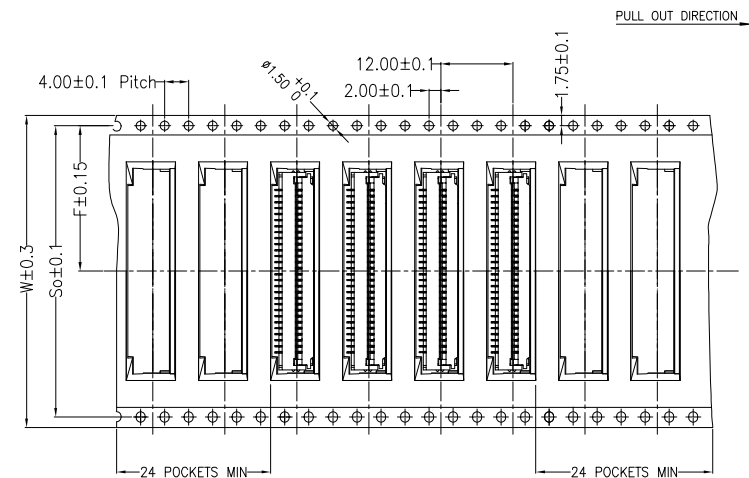
RoHS Compliant

REVISIONS			
REV.	DESCRIPTION	DATE	DESIGN



- Note:
- 1.10 sprocket hole pitch cumulative tolerance ± 0.2
 2. Carrier camber is within 1 mm in 250mm.
 3. All dimensions meet EIA-481-B requirements.
 4. Thickness: 0.30 ± 0.05 mm.
 5. Component load per 13" reel: 2000 pcs.
 6. The following specifications are shown in the table below
 7. Carton Size: 350x350x340mm

CKT	SPEC G	DIM. W	DIM. F	DIM. So	Reel/Carton
28	56G	56.0	26.2	52.4	5



Bestcreate Technology Limited

TOLERANCES UNLESS OTHERWISE SPECIFIED:

.X	± 0.25	.X'	$\pm 3'$
.XX	± 0.20	.X''	$\pm 2'$
.XXX	± 0.15	.XX'	$\pm 1'$

Website: www.bsc-elec.com
 Email: bestcreate@bsc-elec.com

DESIGN: I. L
 DATE: 2017. 3. 1
 CHECKED: C. W
 DATE: 2017. 3. 1
 APPROVED: C. W
 DATE: 2017. 3. 1

TITLE: **1.0mm ZIF Easy-on FPC
 S/T R/A H=2.0mm LOCK**

MATERIAL:	PART NO: FPC1020-XXXRK-NBXXR	SIZE: A4
FINISH:	DWG NO: FPC1020-XXXRK-NBXXR	SHEE: 2 OF 2

REV: A	UNIT mm	SCALE 1=1	QUALITY SYMBOLS
--------	---------	-----------	-----------------