

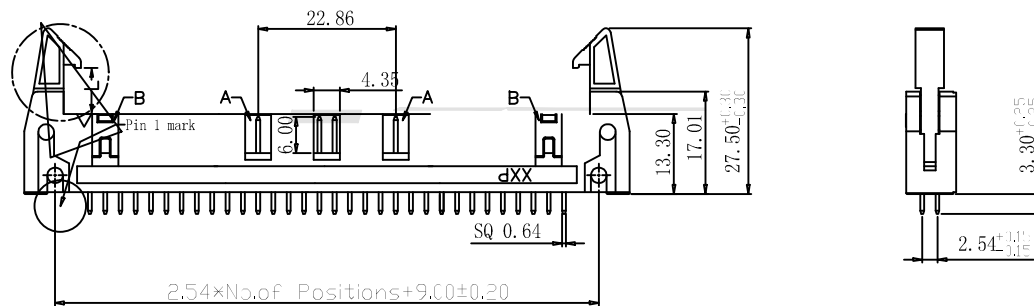
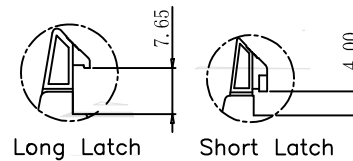
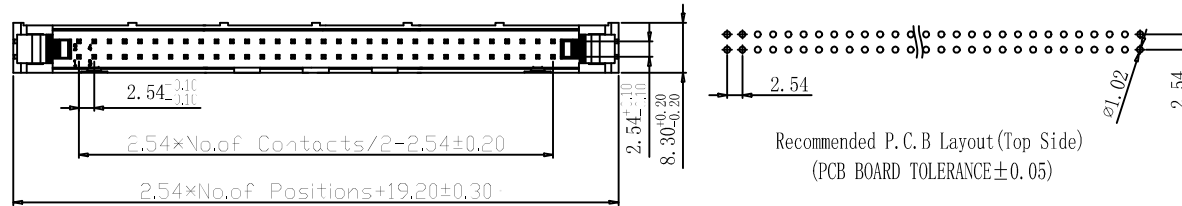
RoHS Compliant

REVISIONS			
REV.	DESCRIPTION	DATE	DESIGN

SPECIFICATION

Current Rating: 3.0Amp
 Insulation Resistance: 1000MΩ min
 Contact Resistance: 20MΩ max
 Withstand Voltage: 1000V AC/DC
 Operating Temperature: -40°C to +105°C
 Contact Material: Brass
 Contact Plating: Au or Sn Over Ni
 Insulator Material: PBT or PA6T+30%GF UL 94V-0

10P-18P Without Slot "B" and "A"
 20P-58P With Slot "B", Without Slot "A",
 60P-64P With Slot "B" and "A"



PART NO. INFORMATION

EJH0XX X X 5 T - 00X

NO. OF CONTACTS
 06 08 12 14 16 18
 20 24 26 30 34 40
 50 60 64

CONTACT PLATED
 1: GOLD FLASH 2: GOLD 3U"
 3: GOLD 5U" 4: GOLD 10U"
 5: GOLD 15U" 6: GOLD 30U"

A: SHORT LATCH
 B: LONG LATCH
 C: WITHOUT LATCH
 PACKAGE
 T: TRAY
 HOUSING COLOR
 2: GRAY
 5: BLACK
 9: BLUE
 HOUSING MATERIAL
 A: LCP B: PBT
 C: PA9T D: PA6T
 E: PA46 F: PA66

Bestcreate Technology Limited

TOLERANCES UNLESS OTHERWISE SPECIFIED:

X.	± 0.50	X'	± 3'
.X	± 0.25	.X'	± 2'
.XX	± 0.15	.XX'	± 1'

Website: www.bsc-elec.com
 Email: bestcreate@bsc-elec.com

DESIGN: I. L. DATE: 2017. 3. 1

CHECKED: C. W. DATE: 2017. 3. 1

APPROVED: C. W. DATE: 2017. 3. 1

TITLE: 2.54MM EJECTOR HEADER 180°

MATERILA:	PART NO: EJH0XXX5T-00X	SIZE: A4
FINSH:	DWG NO: EJH0XXX5T-00X	

REV: A	UNIT mm	SCALE 1=1	QUALITY SYMBOLS
--------	---------	-----------	-----------------