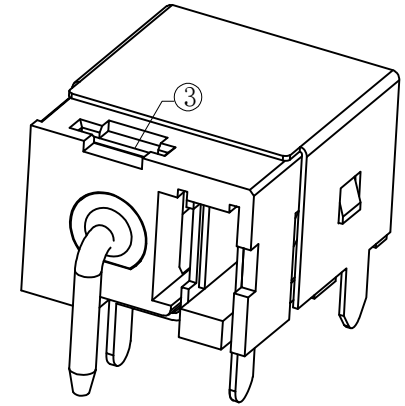
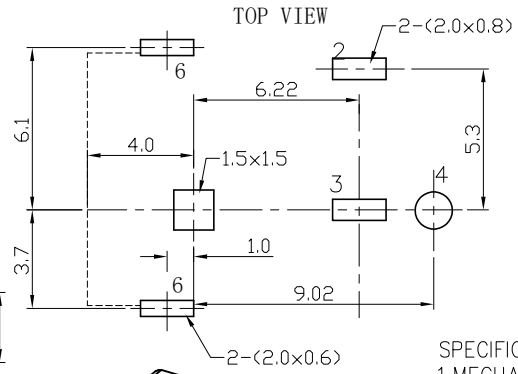
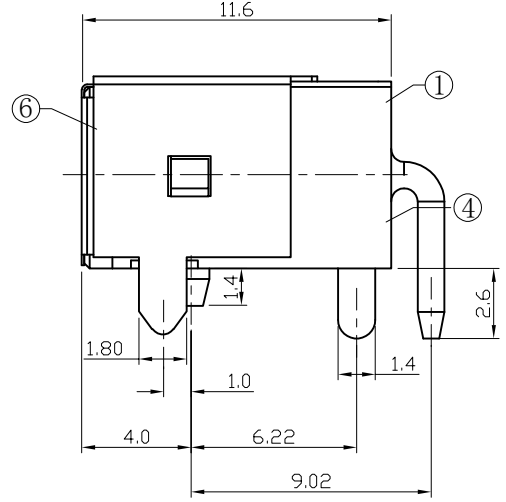
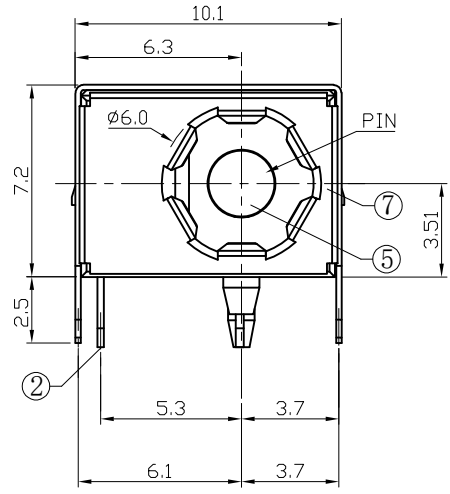


RoHS Compliant

REVISIONS

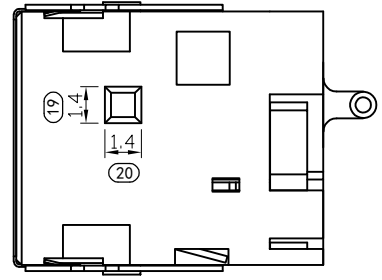
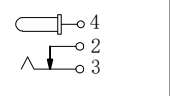
REV.	DESCRIPTION	DATE	DESIGN



SPECIFICATIONS:

- 1.MECHANICAL
 - a.INSERTION FORCE: 3.0Max Kgs
 - b.EXTRACTION FORCE: 0.3Kgs TO 3.0 Kgs
 - c.ENDURANCE: 5000 CYCLES
- 2.ELECTRICAL
 - a.DIELECTRIC WITHSTANDING VOLTAGE: 500V AC 1 MINUTE.
 - b.INSULATION RESISTANCE: 100MΩ MIN
 - c.CONTACT RESISTANCE: 50 mΩ MAX
- 3.OPERATING TEMPERATURE: -25 TO +85 °C.
- 4.Rating: DC 24V 10.5A.

SCHMATIC



PIN	APPD.
ø1.65	DCJ-05-001-V1
ø2.0	DCJ-05-001-V2
ø2.5	DCJ-05-001-V3

NO.	DESCRIPTION	QTY	MATERIAL	PLATING
7	COVER	1	SUS301	Ni-Plating
6	CONTACT FOOT	1	BRONZE	TIN-Plating
5	PIN	1	BRASS	Ni-Plating
4	CONTACT FOOT	1	BRASS	TIN-Plating
3	STOPPER	1	BRASS	NA
2	SPRING PIECE	1	SUS301	TIN-Plating
1	HOUSING	1	HIGH TEMP THERMOPL	

Bestcreate Technology Limited

TOLERANCES UNLESS OTHERWISE SPECIFIED:

.X	± 0.30	X.*	± 5°
.XX	± 0.20	.X.*	± 3°
.XXX	± 0.10	.XX.*	± 1°

DESIGN: I. L. DATE: 2017. 3. 1

CHECKED: C. W. DATE: 2017. 3. 1

APPROVED: C. W. DATE: 2017. 3. 1

TITLE: DC JACK CONNECTOR

MATERILA: FINSH: PART NO: DCJ-05-001-VX SIZE: A4

DWG NO: DCJ-05-001-VX 1 OF 2

REV: A UNIT mm SCALE 1=1 QUALITY SYMBOLS

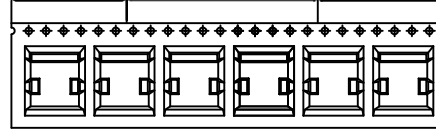
Website: www.bsc-elec.com Email: bestcreate@bsc-elec.com

RoHS Compliant

REVISIONS			
REV.	DESCRIPTION	DATE	DESIGN

NOTIC:

END SECTION 80 mm MIN. LEADING SECTION 80 mm MIN.
COMPONENTS



Reeling Direction →

NOTE :

1.MATERIAL :

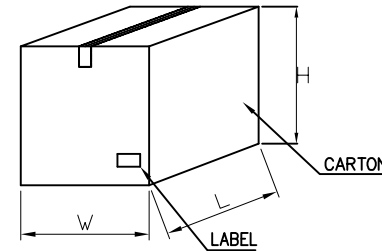
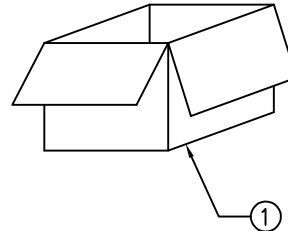
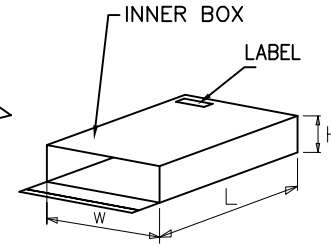
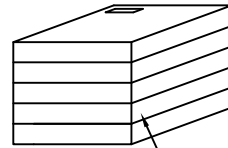
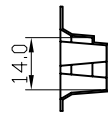
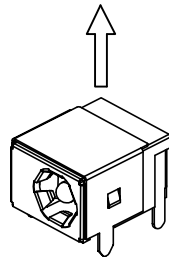
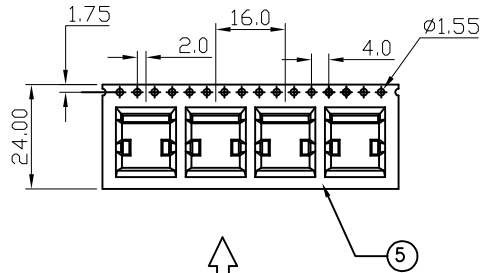
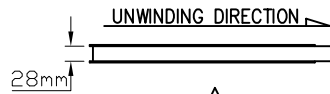
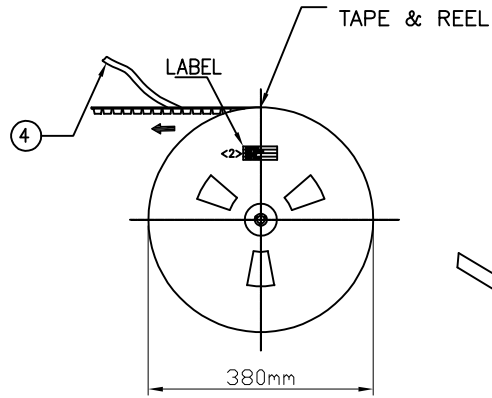
REEL: PS
CARRIER: PS
COVER TAPE: PE

2.DIMENSION :

REEL SIZE:
DIA=380.0mm, W=24.0mm
INNER BOX:
L=390mm, W=65mm H=390mm
CARTON:
L=420mm, W=340mm, H=410mm

3.QUANTITY:

500/REEL
2 REELs/INNER BOX: 1000 PCS
5 INNER BOXs/CARTON: 5000 PCS



Bestcreate Technology Limited

TOLERANCES UNLESS OTHERWISE SPECIFIED:

.X	± 0.30	.X'	± 5°
.XX	± 0.20	.X''	± 3°
.XXX	± 0.10	.XX'	± 1°

Website: www.bsc-elec.com
Email: bestcreate@bsc-elec.com

DESIGN: I. L DATE: 2017. 3. 1

CHECKED: C. W DATE: 2017. 3. 1

APPROVED: C. W DATE: 2017. 3. 1

TITLE: DC JACK CONNECTOR

MATERIAL: PART NO: DCJ-05-001-VX SIZE: A4

FINISH: DWG NO: DCJ-05-001-VX 2 OF 2

REV:	UNIT	SCALE	QUALITY SYMBOLS
A	mm	1=1	