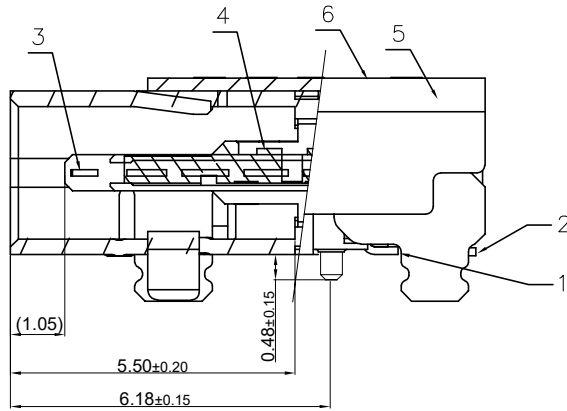
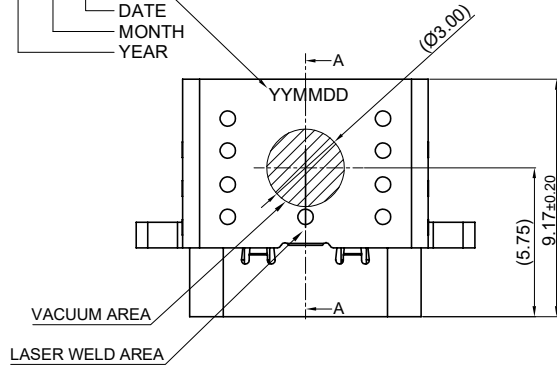


RoHS Compliant

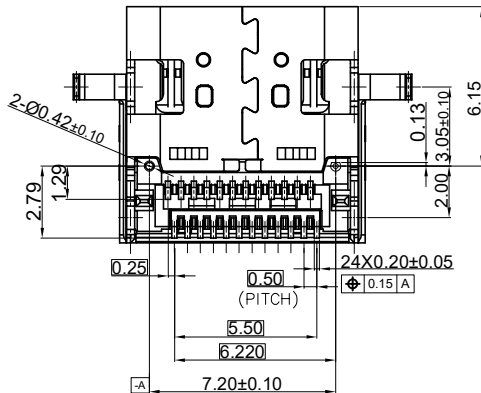
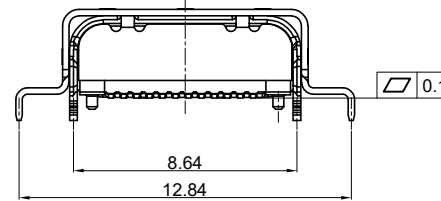
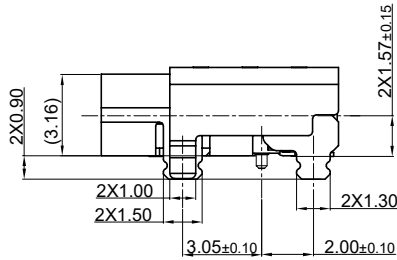
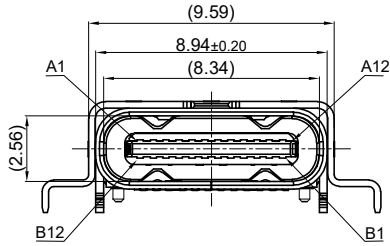
Date Code:
YY MM DD
DATE
MONTH
YEAR



SECTION A-A(剖视图A-A)
SCALE 2:1 (比例 2:1)

NOTES/注释:

- MATERIAL/材料: SEE TABLE/见下表
- GENERAL SPECIFICATION/通用特性:
 - COPLANARITY /共面度: **0.10 Max.**
 - CURRENT RATING: 5A / 额定电流: 5安培
 - CONTACT RESISTANCE: 40mΩ MAX (INITIAL).
INSULATION RESISTANCE: 100MΩ **Min**
接触电阻: 40毫欧最大(初始值) / 绝缘电阻: 100MΩ Min
 - DIELECTRIC WITHSTANDING VOLTAGE: 100 VAC
耐电压: 100伏交流
 - MECHANICAL CHARACTERISTICS:
INSERTION FORCE: 5~20N EXTRACTION FORCE: 8~20N
AFTER DURABILITY EXTRACTION FORCE: 6~20N
力学特性: 初始插入力: **5~20N** 拔出力: **8~20N**
耐久后拔出力: **6~20N**



PART NO. INFORMATION

U06-40 C F X X 5 R - 002-V1

- PORT TYPE
C: TYPE C
- PACKAGE
R: TAPE REEL
- HOUSING COLOR
2: WHITE
5: BLACK
9: NATURE
- HOUSING MATERIAL
A: LCP B: PBT
C: PA9T D: PA6T
E: PA46 F: PA66
- CONTACT PLATED
1: GOLD FLASH
2: GOLD 3U"
3: GOLD 5U"
4: GOLD 10U"
5: GOLD 15U"
6: GOLD 30U"
- GENDER
F: FEMALE
M: MALE

ITEM	DESCRIPTION	QTY	MATERIAL	FINISH	REMARK
6	OUT SHELL	1	SUS304	NICKEL PLATING	0.2mm
5	INT SHELL	1	SUS304	NICKEL PLATING	0.3mm
4	MAIN HOUSING	1	PART HF 30%玻纤, UL94 V-0, 黑色	-	COLOR:BLACK
3	MID PLATE	1	SUS301	-	0.15mm
2	BOTTOM TERMINAL	1	C18140	-	0.12mm
1	TOP TERMINAL	1	C18140	MATING SIDE:SEE PART NO; SOLDER TAIL:GOLD FLASH, 30μF NICKEL OVERALL	0.12mm

Bestcreate Technology Limited

TOLERANCES UNLESS OTHERWISE SPECIFIED:

.X	± 0.30	.X'	± 5'
.XX	± 0.20	.X''	± 2'
.XXX	± 0.10	.X'''	± 1'

DESIGN:
I. L

DATE:

CHECKED:
C. W

DATE:

APPROVED:
C. W

DATE:

TITLE:

USB4.0 TYPE C 24P FEMALE CONNECTOR DUAL SMT,
TOP MOUNT, L=9.17MM, TAIL LENGTH=0.9MM

MATERIAL:

PART NO:
U06-40CFXX5R-002-V1

SIZE:
A4

FINISH:

DWG NO:
U06-40CFXX5R-002-V1

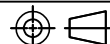
1 OF 3

REV:
A

UNIT
mm

SCALE
1=1

QUALITY
SYMBOLS



Website:www.bsc-elec.com

Email:bestcreate@bsc-elec.com

1

2

3

4

5

6

7

8