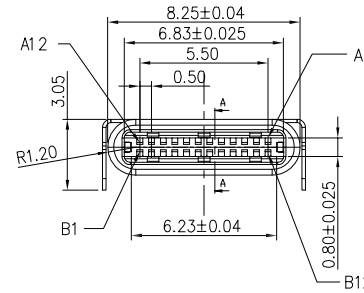
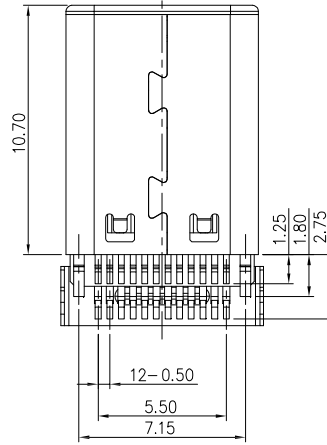
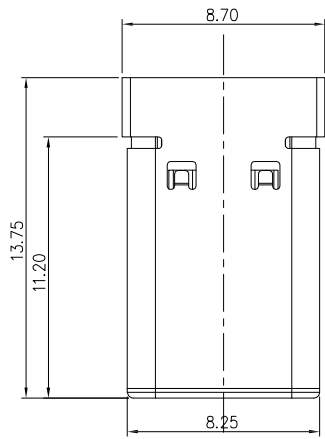


RoHS Compliant

REVISIONS			
REV.	DESCRIPTION	DATE	DESIGN



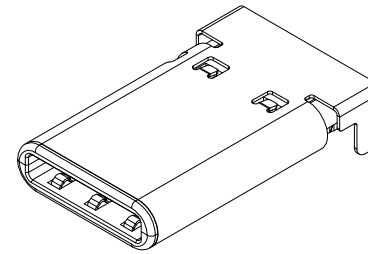
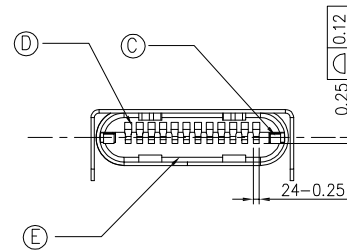
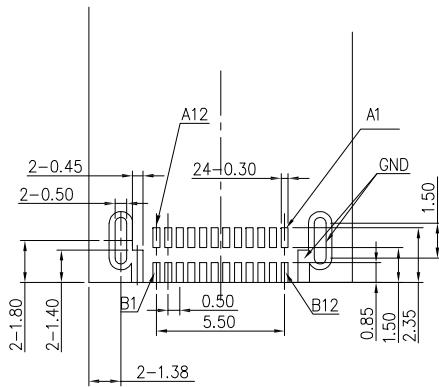
NOTES:

1.MATERIAL:

HOUSING: LCP+ 30% G.F, UL94V-0 COLOR: BLACK  
 CONTACT: C5210-RH, 0.15mm.  
 SHELL : SUS301, 0.20mm  
 EMI : SUS304, 0.10mm  
 SHIELD CONTACT : SUS301, 0.10mm

2.FINISH:

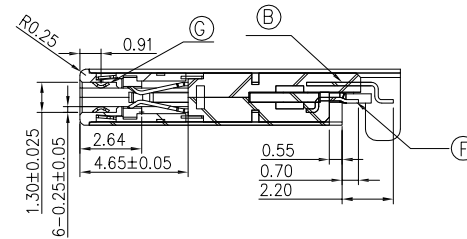
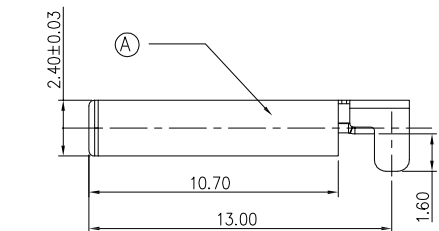
Contacts: [G/F]Au PLATED /80u"Sn/50u" Ni Plated  
 Shell: 30u" Nickel Plated  
 SHIELD CONTACT: 30u" Nickel Plated



PART NO. INFORMATION

**U06-C M X X 5 R - 001**

PORT TYPE  
 C: TYPE C  
 GENDER:  
 F: FEMALE  
 M: MALE  
 CONTACT PLATED:  
 1: GOLD FLASH  
 2: GOLD 3U"  
 3: GOLD 5U"  
 4: GOLD 10U"  
 5: GOLD 15U"  
 6: GOLD 30U"  
 PACKAGE:  
 R: TAPE REEL  
 HOUSING COLOR:  
 2: WHITE  
 5: BLACK  
 9: NATURE  
 HOUSING MATERIAL:  
 A: LCP B: PBT  
 C: PA9T D: PA6T  
 E: PA46 F: PA66



NO	DESCRIPTION	QTY	MATERIAL	PLATING & COLOR
G	EMI	2	SUS304	---
F	CONTACT	12	C5210	SEE PART NO.
E	TOP COVER	1	LCP+30%GF,UL 94V-0	BLACK
D	BOTTOM COVER	1	LCP+30%GF,UL 94V-0	BLACK
C	GND PIN	1	SUS301	NICKEL PLATED
B	CONTACT	12	C5210	SEE PART NO.
A	SHELL	1	SUS301	NICKEL PLATED

**Bestcreate Technology Limited**

TOLERANCES UNLESS OTHERWISE SPECIFIED:

X.	±	0.30	X.*	±	2*
.X	±	0.20	.X*	±	1*
.XX	±	0.10	.XX*	±	0.5*

Website:www.bsc-elec.com  
 Email:bestcreate@bsc-elec.com

DESIGN: I.L DATE:

CHECKED: C.W DATE:

APPROVED: C.W DATE:

TITLE: USB 3.1 C TYPE SMT MALE

MATERILA: PART NO: U06-CMXX5R-001 SIZE: A4

FINISH: DWG NO: U06-CMXX5R-001

REV: A UNIT mm SCALE 1=1 QUALITY SYMBOLS