

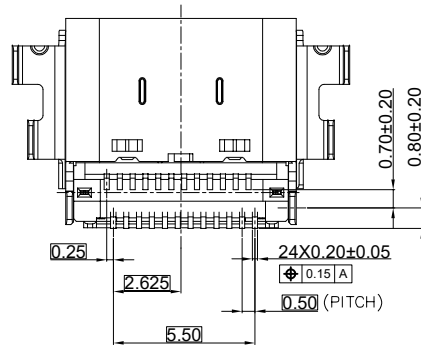
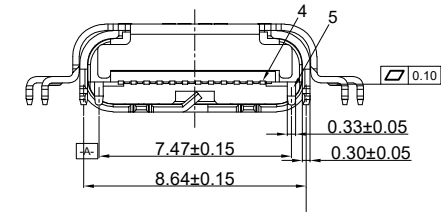
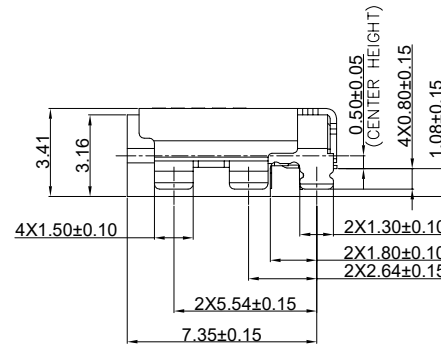
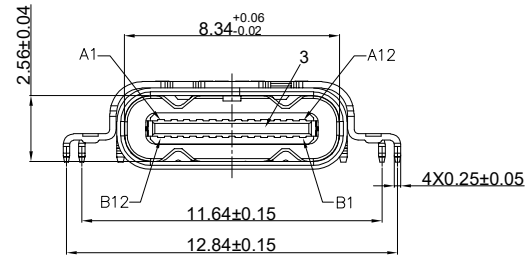
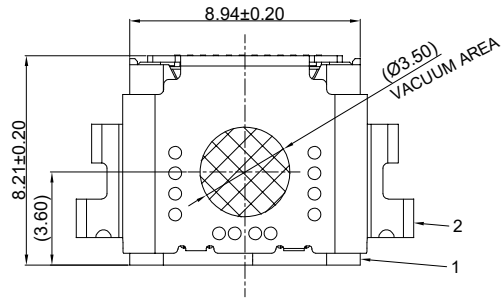
RoHS Compliant

| REVISIONS |             |      |        |
|-----------|-------------|------|--------|
| REV.      | DESCRIPTION | DATE | DESIGN |
|           |             |      |        |

NOTE/注释:

1.SPECIFICATION/规格:

- 1.1 Rated current (额定电流) : 5.0 A
- 1.2 Voltage rating (额定电压) : 5V AC
- 1.3 Contact Resistance (接触阻抗) : 40 m Ω Max.
- 1.4 Insulation Resistance (绝缘阻抗) : 100MΩ Min.
- 1.5 Withstanding voltage (耐电压) : 100 VAC/minute
- 1.6 Mating force (插入力) : 5~20N .
- 1.7 Unmating force (拔出力) : 8~20N.
- 1.8 Durability Cycle(寿命循环):10,000 cycle
- 1.9 Operating temperature (工作温度) : -40°~+85°



PART NO. INFORMATION

U06-40 C F X X 5 R - 007-V1

- PORT TYPE  
C: TYPE C
- PACKAGE  
R: TAPE REEL
- HOUSING COLOR  
2: WHITE  
5: BLACK  
9: NATURE
- CONTACT PLATED  
1: GOLD FLASH  
2: GOLD 3U"  
3: GOLD 5U"  
4: GOLD 10U"  
5: GOLD 15U"  
6: GOLD 30U"
- HOUSING MATERIAL  
A: LCP B: PBT  
C: PA9T D: PA6T  
E: PA46 F: PA66
- GENDER  
F: FEMALE  
M: MALE

| ITEM             | DESCRIPTION  | QTY | MATERIAL                    | FINISH   | REMARK        |
|------------------|--------------|-----|-----------------------------|--|---------------|
| 4                | TERMINAL     | 24  | C18140                      | MATING SIDE:SEE PART NO;<br>SOLDER TAIL:Gold FLASH, 50u" NICKEL OVERALL. | T=0.12        |
| 3                | SHELL        | 1   | SUS304                      | NICKEL PLATING   | T=0.30        |
| 2                | MID PLATE    | 1   | SUS301                      | NICKEL PLATING   | T=0.15        |
| 1                | MAIN HOUSING | 1   | PART HF 30%玻纤, UL94 V-0, 黑色 |  | BLACK UL94V-0 |
| BILL OF MATERIAL |              |     |                             |  |               |

**Bestcreate Technology Limited**

TOLERANCES UNLESS OTHERWISE SPECIFIED:

|      |        |      |      |
|------|--------|------|------|
| .X   | ± 0.30 | .X'  | ± 5' |
| .XX  | ± 0.20 | .X'' | ± 2' |
| .XXX | ± 0.10 | .XX' | ± 1' |

DESIGN: I. L DATE:

CHECKED: C. W DATE:

APPROVED: C. W DATE:

TITLE: USB4.0 TYPE C 24P FEMALE CONNECTOR DUAL SMT, MID MOUNT, CH=0.5MM, L=8.21MM

MATERILA: PART NO: U06-40CFXX5R-007-V1 SIZE: A4

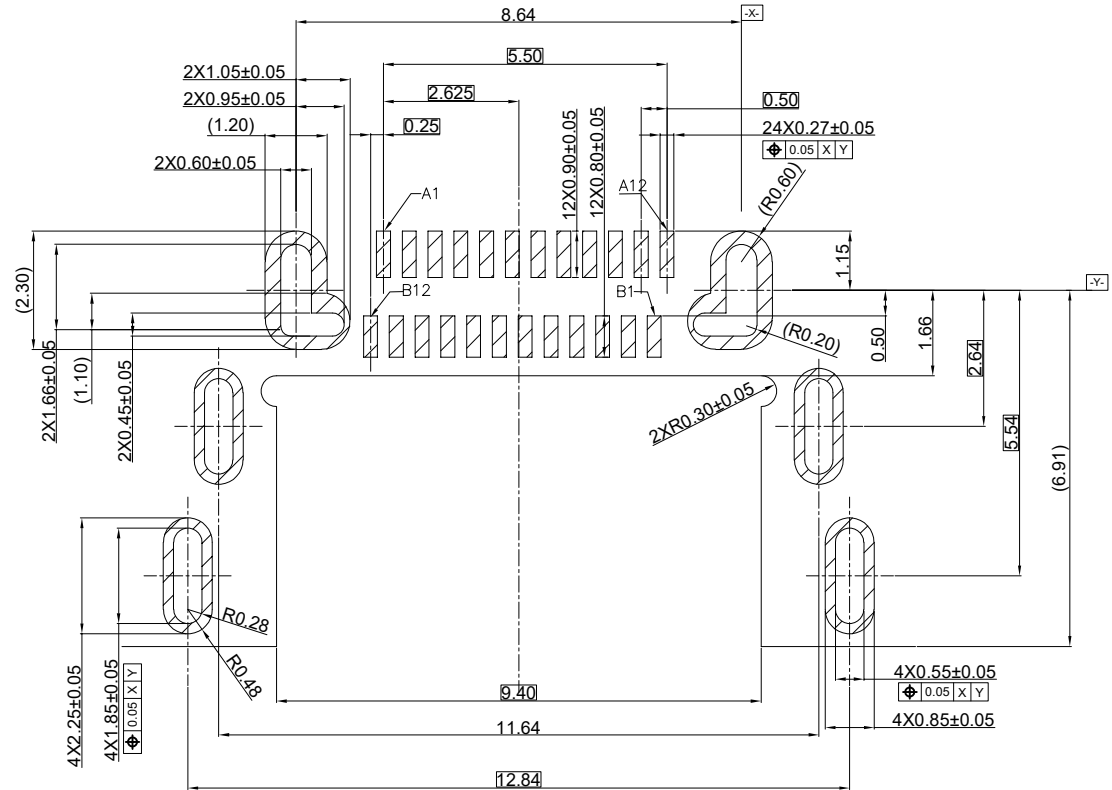
FINSH: DWG NO: U06-40CFXX5R-007-V1 1 OF 3

| REV: | UNIT | SCALE | QUALITY SYMBOLS |
|------|------|-------|-----------------|
| A    | mm   | 1=1   |                 |

Website: [www.bsc-elec.com](http://www.bsc-elec.com)  
Email: [bestcreate@bsc-elec.com](mailto:bestcreate@bsc-elec.com)

RoHS Compliant

| REVISIONS |             |      |        |
|-----------|-------------|------|--------|
| REV.      | DESCRIPTION | DATE | DESIGN |
|           |             |      |        |



USB TYPE-C PIN ASSIGNMENTS

| PIN NUMBER | SIGNAL NAME | PIN NUMBER | SIGNAL NAME |
|------------|-------------|------------|-------------|
| A1         | GND         | B12        | GND         |
| A2         | SSTXp1      | B11        | SSRXp1      |
| A3         | SSTXn1      | B10        | SSRXn1      |
| A4         | VBUS        | B9         | VBUS        |
| A5         | CC1         | B8         | SBU2        |
| A6         | Dp1         | B7         | Dn2         |
| A7         | Dn1         | B6         | Dp2         |
| A8         | SBU1        | B5         | CC2         |
| A9         | VBUS        | B4         | VBUS        |
| A10        | SSRXn2      | B3         | SSTXn2      |
| A11        | SSRXp2      | B2         | SSTXp2      |
| A12        | GND         | B1         | GND         |

**Bestcreate Technology Limited**

TOLERANCES UNLESS OTHERWISE SPECIFIED:

|      |        |      |      |
|------|--------|------|------|
| .X   | ± 0.30 | X'   | ± 5' |
| .XX  | ± 0.20 | .X'  | ± 2' |
| .XXX | ± 0.10 | .XX' | ± 1' |

Website: [www.bsc-elec.com](http://www.bsc-elec.com)  
 Email: [bestcreate@bsc-elec.com](mailto:bestcreate@bsc-elec.com)

DESIGN: I. L DATE:      

CHECKED: C. W DATE:      

APPROVED: C. W DATE:      

TITLE: USB4.0 TYPE C 24P FEMALE CONNECTOR DUAL SMT, MID MOUNT, CH=0.5MM, L=8.21MM

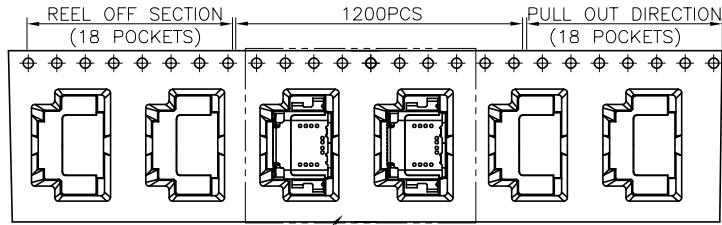
MATERIAL: U06-40CFXX5R-007-V1 PART NO: U06-40CFXX5R-007-V1 SIZE: A4

FINISH: DWG NO: U06-40CFXX5R-007-V1 2 OF 3

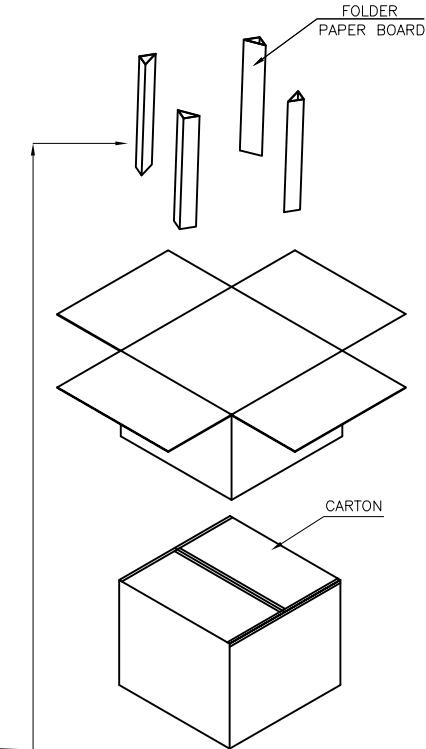
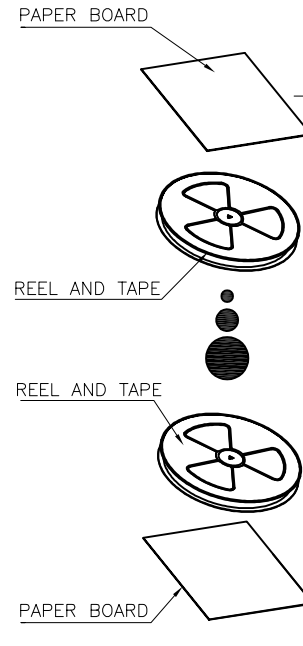
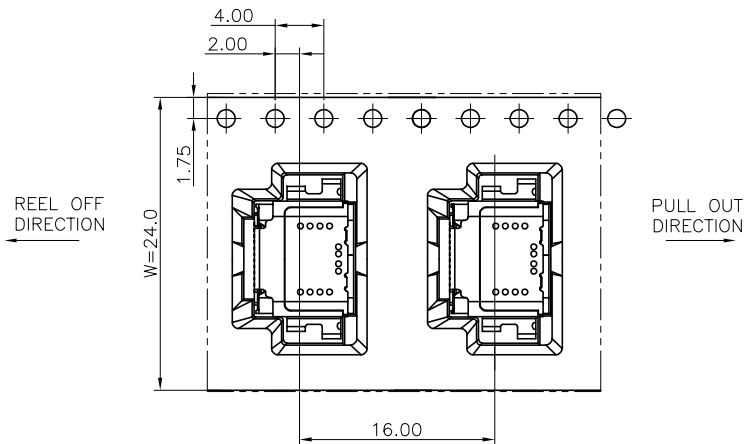
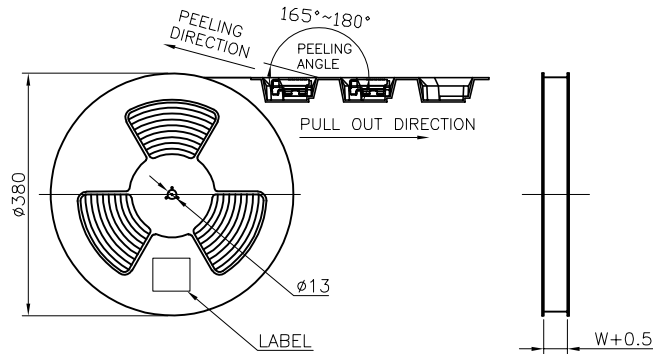
REV: A UNIT mm SCALE 1=1 QUALITY SYMBOLS

RoHS Compliant

| REVISIONS |             |      |        |
|-----------|-------------|------|--------|
| REV.      | DESCRIPTION | DATE | DESIGN |
|           |             |      |        |



SEE DETAIL X



|                 | REEL | CARTON |
|-----------------|------|--------|
| CONNECTOR (PCS) | 1200 | 12000  |

**Bestcreate Technology Limited**

TOLERANCES UNLESS OTHERWISE SPECIFIED:

|      |        |      |      |
|------|--------|------|------|
| .X   | ± 0.30 | X'   | ± 5' |
| .XX  | ± 0.20 | .X'  | ± 2' |
| .XXX | ± 0.10 | .XX' | ± 1' |

Website: [www.bsc-elec.com](http://www.bsc-elec.com)  
 Email: [bestcreate@bsc-elec.com](mailto:bestcreate@bsc-elec.com)

DESIGN: I. L DATE:

CHECKED: C. W DATE:

APPROVED: C. W DATE:

TITLE: USB4.0 TYPE C 24P FEMALE CONNECTOR DUAL SMT, MID MOUNT, CH=0.5MM, L=8.21MM

|           |                                 |             |
|-----------|---------------------------------|-------------|
| MATERILA: | PART NO:<br>U06-40CFXX5R-007-V1 | SIZE:<br>A4 |
| FINSH:    | DWG NO:<br>U06-40CFXX5R-007-V1  | 3 OF 3      |

|        |         |           |                 |
|--------|---------|-----------|-----------------|
| REV: A | UNIT mm | SCALE 1=1 | QUALITY SYMBOLS |
|--------|---------|-----------|-----------------|