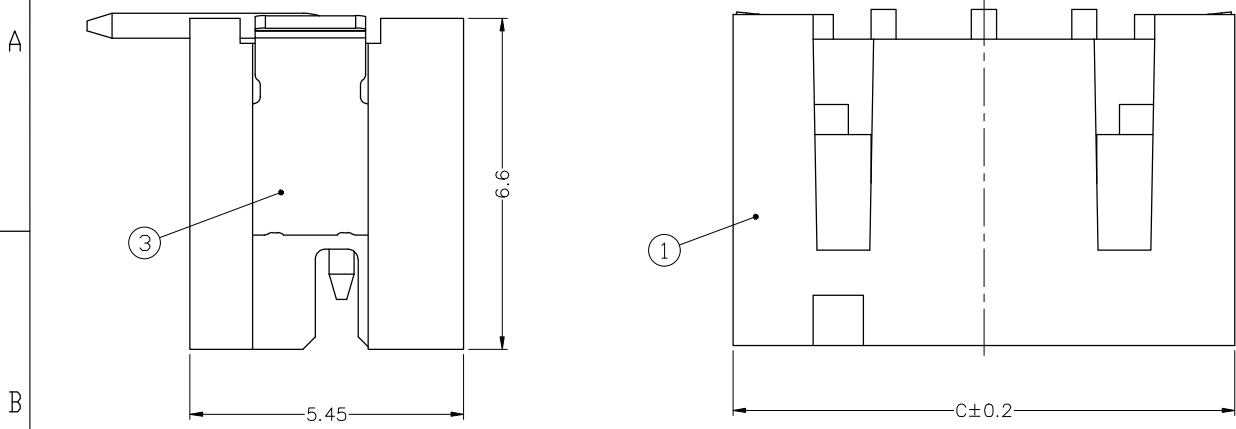


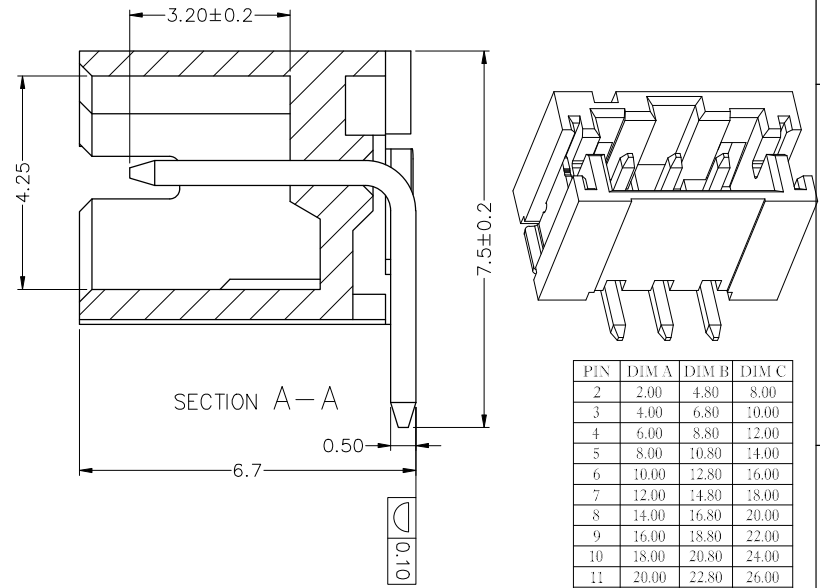
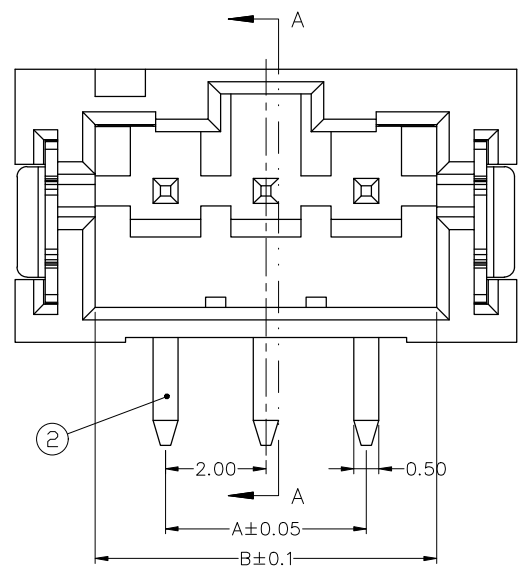
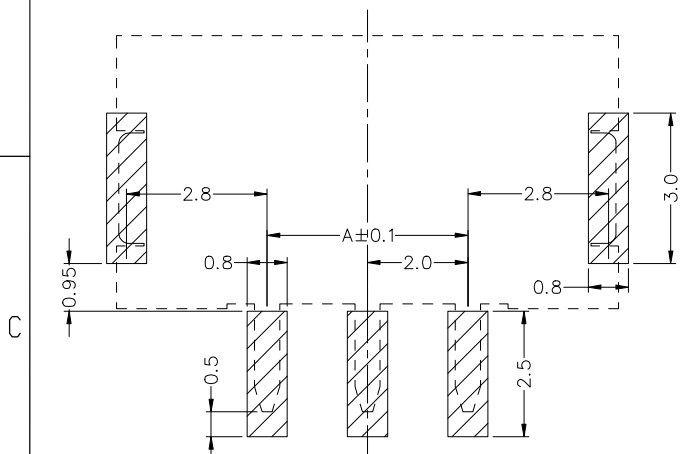
RoHS Compliant

REVISIONS			
REV.	DESCRIPTION	DATE	DESIGN

Electrical
 rated current:1A AC(rms)/DC
 nominal voltage:100V AC(rms)/DC
 Dielectric Withstanding Voltage:500V AC/rms
 Contact Resistance: $\leq 20 \text{ m}\Omega$ max(initial)
 Insulation Resistance:500 M Ω min
 Operating Temp:-20°C ~ +85°C



PART NO.
 WTB20-XX01X-B002
 NO. OF CONTACTS _____ PACKAGE
 T:TUBE
 R: TAPE&REEL
 PLATING _____
 0:TIN
 1: GOLD FLASH
 1: ROHS
 2: HALOGEN FREE



PIN	DIM A	DIM B	DIM C
2	2.00	4.80	8.00
3	4.00	6.80	10.00
4	6.00	8.80	12.00
5	8.00	10.80	14.00
6	10.00	12.80	16.00
7	12.00	14.80	18.00
8	14.00	16.80	20.00
9	16.00	18.80	22.00
10	18.00	20.80	24.00
11	20.00	22.80	26.00
12	22.00	24.80	28.00

SERIAL NUMBER	NAMER	MATERIALS	PART NUMBER
③	FITTING	PHOSPHOR BRONZE	PDR-20-SK
②	TERMINAL	BRASS	PDK-20-BDZ
①	HOUSING	LCP(NATURAL)UL94V-0	L25D-NY

Bestcreate Technology Limited

TOLERANCES UNLESS OTHERWISE SPECIFIED:

.X	± 0.25	X'	± 3'
.XX	± 0.20	.X'	± 2'
.XXX	± 0.15	.XX'	± 1'

 Website: www.bsc-elec.com
 Email: bestcreate@bsc-elec.com

DESIGN: I. L. DATE: 2017. 3. 1
 CHECKED: C. W. DATE: 2017. 3. 1
 APPROVED: C. W. DATE: 2017. 3. 1

TITLE: 2.0MM WIRE TO BOARD CONNECTOR VERTICAL SMT
 MATERILA: FINISH: DWG NO: WTB20-XX01X-B002 SIZE: A4 SHEE: 1 OF 1

REV: A UNIT mm SCALE 1=1 QUALITY SYMBOLS