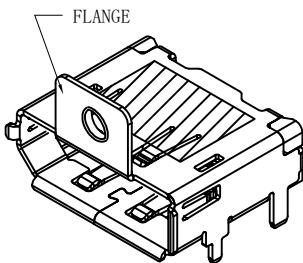
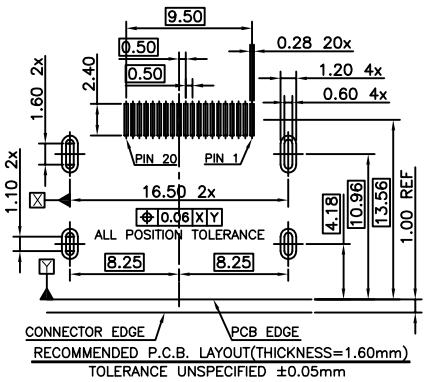
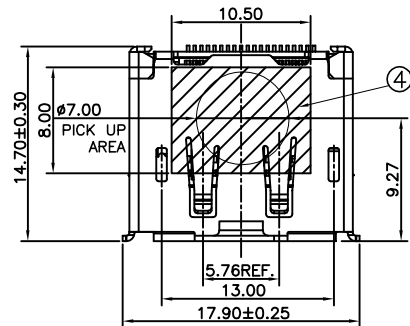


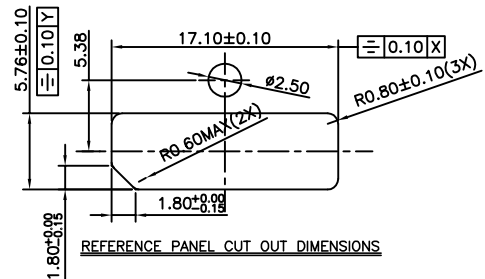
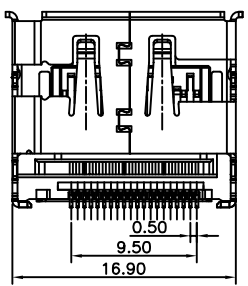
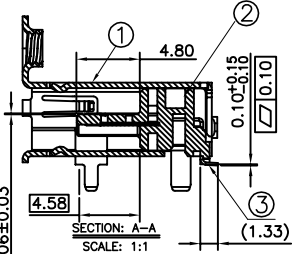
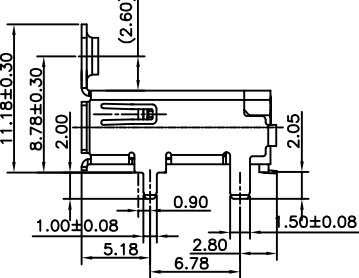
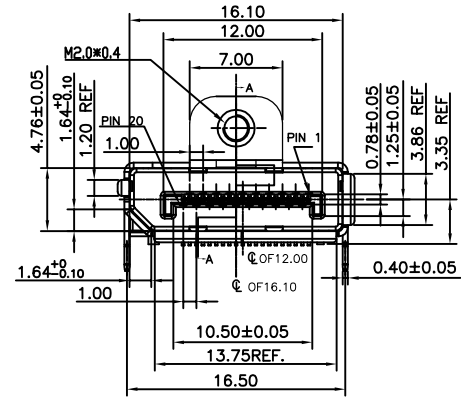
RoHS Compliant

REVISIONS			
REV.	DESCRIPTION	DATE	DESIGN



SPECIFICATIONS:

- MECHANICAL :
 - INSERTION FORCE :44.1 N MAX
 - WITHDRAWAL FORCE :9.8 N MIN. AFTER 5,000 CYCLES MATING: 0.3kgf MIN.
- ELECTRICAL :
 - CONTACT CURRENT RATING: 0.5A MIN.
 - VOLTAGE RATING :40V AC (rms)
 - WITHSTANDING VOLTAGE: 500 VAC FOR 1 MINUTE.
 - INSULATION RESISTANCE: 100 MEGAOHMS MIN.
 - CONTACT RESISTANCE: 30 MILLIOHMS MAX.
- ENVIRONMENTAL :
 - OPERATING TEMPERATURE:-40°C TO +85°C



PART NO. INFORMATION

DP09- F X X 5 R - 003

- GENDER
F: FEMALE
M: MALE
- CONTACT PLATED
1: GOLD FLASH
2: GOLD 3U''
3: GOLD 5U''
4: GOLD 10U''
5: GOLD 15U''
6: GOLD 30U''
- PACKAGE
R: TAPE REEL T:TRAY
- HOUSING COLOR
2: WHITE
5: BLACK
9: NATURE
- HOUSING MATERIAL
A: LCP B: PBT
C: PA9T D: PA6T
E: PA46 F: PA66

ITEM	NAME	Q'TY	NOTES
4	MYLAR	1	W=8.0mm
3	CONTACTS	20	COPPER ALLOY, GOLD PLATED OVER NICKEL ON CONTACT AREA AND 100µ" MIN. TIN PLATED OVER NICKEL ON SOLDER TAILS
2	HOUSING	1	THERMOPLASTIC UL94V-0
1	SHELL	1	BRASS,NICKEL PLATED

Bestcreate Technology Limited

TOLERANCES UNLESS OTHERWISE SPECIFIED:
 .X ± 0.35 .X." ± 5"
 .XX ± 0.25 .X." ± 2"
 .XXX ± 0.15 .XX." ± 1"

Website: www.bsc-elec.com
 Email: bestcreate@bsc-elec.com

DESIGN: I.L DATE: 2017.3.1
 CHECKED: DATE:
 C.W 2017.3.1
 APPROVED: DATE:
 C.W 2017.3.1

TITLE: DISPLAYPORT FEMALE CONNECTOR SMT TYPE, R/A WITH M2.0 HOLE
 MATERIAL: PART NO: DP09-FXX5R-005 SIZE: A4
 FINSH: DWG NO: DP09-FXX5R-005

REV: A	UNIT mm	SCALE 1=1	QUALITY SYMBOLS
--------	---------	-----------	-----------------