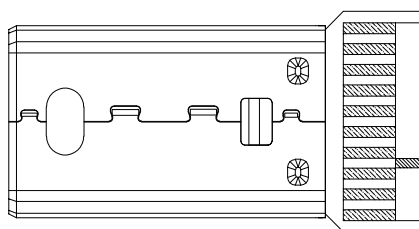
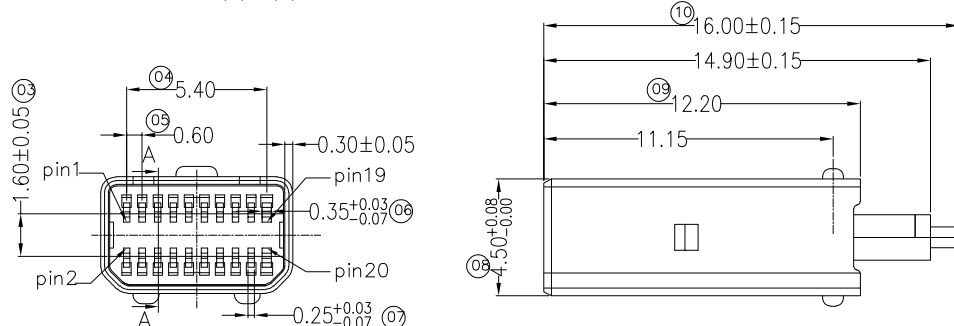
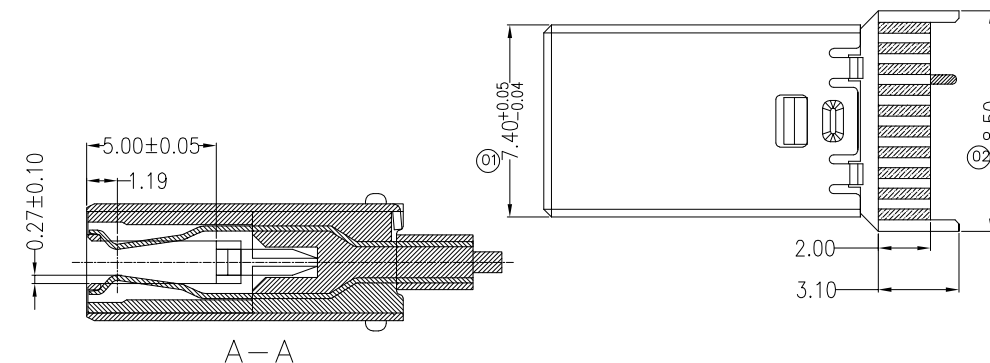


RoHS Compliant

REVISIONS			
REV.	DESCRIPTION	DATE	DESIGN



NOTE:

- 1.MATERIAL:
 - 1.1 INSULATOR:LCP UL 94V-0
 - 1.2 CONTACT:C5191-EH (T=0.20mm)
 - 1.3 SHELL: BRASS(T=0.30mm)
- 2.ELECTRICAL CHARACTERISTICS;
 - 2.1 CONTACT RESISTANCE: 40mΩ MAX
 - 2.2 CONTACT CURRENT RATING:0.5A
 - 2.3 OPERTION VOLTAGE:30 VAC MAX
 - 2.4 DIELECTRIC WITHSTANDING VOLTAGE: 300 V AC MIN
 - 2.5 INSULATION RESISTANCE 100 MEGOHMS MIN
 - 2.6 OPERATING TEMPERATURE:-40°C ~ 85°C
- 3.PLATING
 - 3.1 TERMINAL: NICKEL ALL OVER, Tin ON SOLDER AREA
(1~30)u" Au ON CONTACT AREA
 - 3.2 SHELL:NICEL OR GOLD ALL OVER

PART NO. INFORMATION

DP01- X X X A X 5 T - 006

- MATERIAL OF SHELL
 - 1:BRASS
 - 2.SPCC
 - 3.SUS
 - 4.ZINC ALLOY
- PLATING OF SHELL
 - 1:NICKEL
 - 2.GOLD
 - 3.TIN
- CONTACT PLATED
 - 1: G/F MATTE TIN
 - 2: 3U" MATTE TIN
 - 3: 5U" MATTE TIN
 - 4: 15U" MATTE TIN
 - 5: 30U" MATTE TIN
- PACKAGE
 - T: TRAY
- HOUSING COLOR
 - 2: WHITE
 - 5: BLACK
- HOUSING MATERIAL
 - A: LCP
 - B: PBT

Bestcreate Technology Limited

TOLERANCES UNLESS OTHERWISE SPECIFIED:

.XX ± 0.20	.X' ± 2"
.XX ± 0.15	.XX" ± 1"
.XXX ± 0.10	.XXX' ± 0.5"

Website:www.bsc-elec.com
Email:bestcreate@bsc-elec.com

DESIGN: I. L
DATE: 2017. 3. 1

CHECKED: C. W
DATE: 2017. 3. 1

APPROVED: C. W
DATE: 2017. 3. 1

TITLE: MINI DISPLAYPORT MALE FOR WIRE SOLDERING

MATERILA:	PART NO:	SIZE:
FINSH:	DWG NO:	
	DP01-XXXAX5T-006	A4
	DP01-XXXAX5T-006	

REV: A	UNIT mm	SCALE 1=1	QUALITY SYMBOLS
--------	---------	-----------	-----------------