

RoHS Compliant

REVISIONS			
REV.	DESCRIPTION	DATE	DESIGN

PIN	定义	PIN	定义
1	ML Lane0 (P)	11	GND
2	GND	12	ML Lane3 (N)
3	ML Lane0 (N)	13	CFG1
4	ML Lane1 (P)	14	CFG2
5	GND	15	AUX (HLP)
6	ML Lane1 (N)	16	GND
7	ML Lane2 (P)	17	AUX (HLP)
8	GND	18	HOT PLUG
9	ML Lane2 (N)	19	Retarn(for Pwr)
10	ML Lane3 (P)	20	DP-PWR (3.3V 500mA)

NONES:

1. 材质:

- 1) 塑胶:LCP+30%G/F, UL 94V-0, 颜色:黑色
- 2) 端子: 材质:C2680-H T=0.20
镍底: 50~100U" 镀金G/F
- 3) 外壳: 材质:铁料 SPCC T=0.40
镍底: 50~100U"

2. 电气特性:

- 1) 接触阻抗:30mΩ MAX(初始) FOR VBUS AND GND CONNECTS, 其它50mΩ MAX(初始)
环境与寿命测试后的变化值:+10Ω MAX
- 2) 绝缘阻抗:100MΩ MIN.
- 3) 额定电流:1.5A
- 4) 耐压:100V AC(RMS)

3. 机械特性

- 1) 插入力:44.1N MAX.
- 2) 拔出力:9.8N(初始) MIN.
寿命测试后:8N MIN.
- 3) 寿命:10000 CYCLES

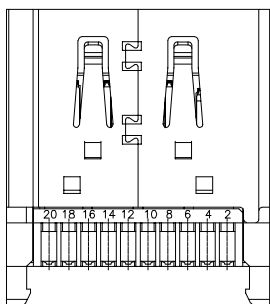
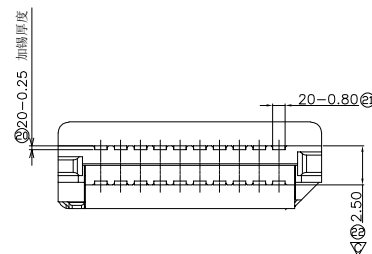
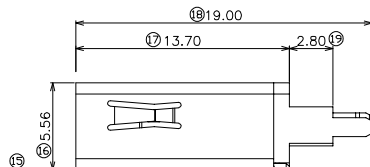
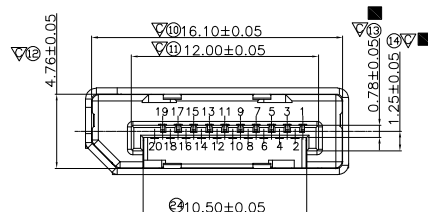
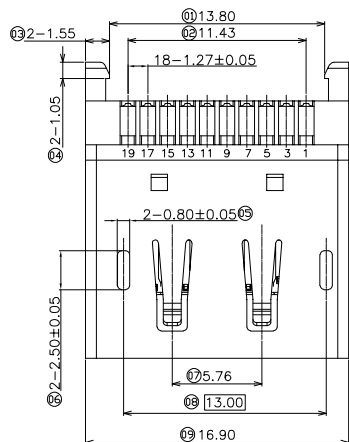
4. 环境特性:使用温度:-40° C-85° C

5. 符合本公司环境物质管理标准

标记 ▽ 为重点管控尺寸.

标记 ⊗ 为FAI尺寸.

标记 ■ 为CPK尺寸.



PART NO. INFORMATION

DP09-F1A5X-023-B

GENDER F: FEMALE M: MALE	CONTACT PLATED 1: GOLD FLASH 2: GOLD 3U" 3: GOLD 5U" 4: GOLD 10U" 5: GOLD 15U" 6: GOLD 30U"	PACKAGE R:TAPE REEL T:TRAY
		HOUSING COLOR 2: WHITE 5: BLACK 9: NATURE
		HOUSING MATERIAL A: LCP B: PBT C: PA9T D: PA6T E: PA46 F: PA66

Bestcreate Technology Limited

TOLERANCES UNLESS OTHERWISE SPECIFIED:

.X	± 0.35	.X'	± 2'
.XX	± 0.25	.X''	± 1'
.XXX	± 0.15	.X'''	± 0.5'

Website:www.bsc-elec.com

Email:bestcreate@bsc-elec.com

DESIGN:

I. L

CHECKED:

C. W

APPROVED:

C. W

DATE:

2017. 3. 1

DATE:

2017. 3. 1

DATE:

2017. 3. 1

TITLE:

DISPLAYPORT FEMALE CONNECTOR FOR WIRE SOLDERING

MATERILA:

FINSH:

PART NO:

DWG NO:

SIZE: A4

DP09-F1A5X-023-B

REV:

A

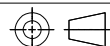
UNIT

mm

SCALE

1=1

QUALITY SYMBOLS



1

2

3

4

5

6

7

8