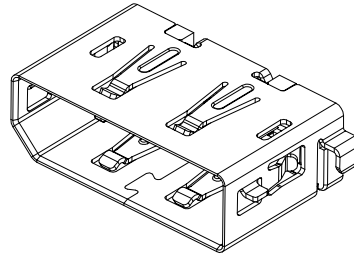
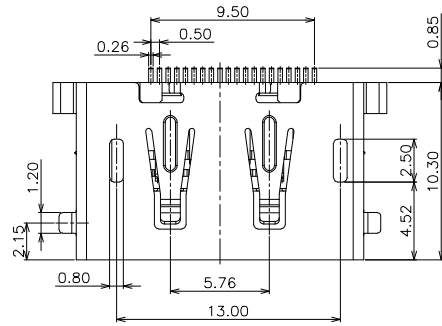


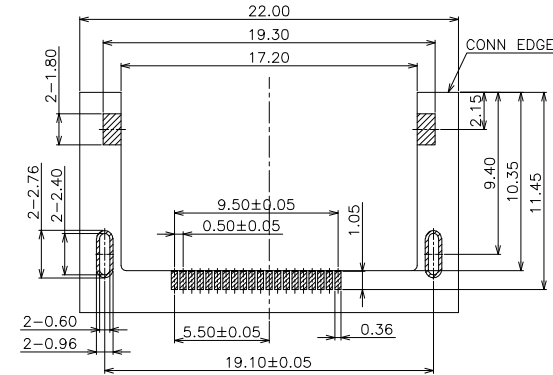
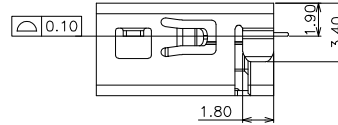
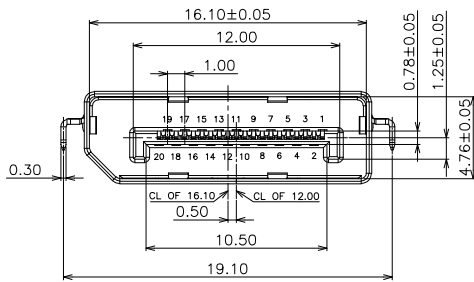
RoHS Compliant

REVISIONS			
REV.	DESCRIPTION	DATE	DESIGN

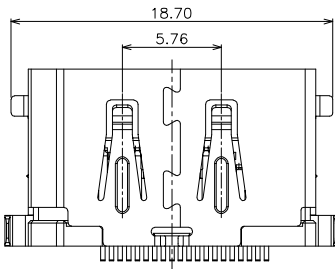


NONES:

1. 材质:
 - a) 塑胶: LCP+30%G/F, UL 94V-0, 颜色: 黑色
 - b) 端子: 黄铜2680R-H T=0.20±0.01mm. 接触区镀金G/F.
 - c) 外壳: SPCC T=0.30mm, 镀可焊锡: 30~50U"
2. 电气特性:
 - a) 接触阻抗: 30mΩ MAX(初始) FOR VBUS AND GND CONNECTS, 其它50mΩ MAX(初始), 环境与寿命测试后的变化值: +10mΩ MAX
 - b) 绝缘阻抗: 100MΩ MIN.
 - c) 额定电流: 1.5A
 - d) 耐压: 100V AC(RMS)
3. 机械特性
 - a) 插入力: 44N MAX.
 - b) 拔出力: 9.8N(初始) MIN. 寿命测试后: 8N MIN.
 - c) 寿命: 5000 CYCLES
4. 环境特性: 使用温度: -40°C-85°C
5. 符合本公司环境物质管理标准



RECOMENDED PCB LAYOUT
TOLERANCE: ±0.05mm



PART NO. INFORMATION

DP09- F 1 A 5 X - 021

- | | | |
|---|--|--|
| <p>GENDER
F: FEMALE
M: MALE</p> | <p>CONTACT PLATED
1: GOLD FLASH
2: GOLD 3U"
3: GOLD 5U"
4: GOLD 10U"
5: GOLD 15U"
6: GOLD 30U"</p> | <p>PACKAGE
R: TAPE REEL T: TRAY</p> <p>HOUSING COLOR
2: WHITE
5: BLACK
9: NATURE</p> <p>HOUSING MATERIAL
A: LCP B: PBT
C: PA9T D: PA6T
E: PA46 F: PA66</p> |
|---|--|--|

PIN	定义	PIN	定义
1	ML_Lane0 (P)	11	GND
2	GND	12	ML_Lane3 (N)
3	ML_Lane0 (N)	13	CFG1
4	ML_Lane1 (P)	14	CFG2
5	GND	15	AUX (HLP)
6	ML_Lane1 (N)	16	GND
7	ML_Lane2 (P)	17	AUX (HLP)
8	GND	18	HOT PLUG
9	ML_Lane2 (N)	19	Return (for Pwr)
10	ML_Lane3 (P)	20	DP-PWR (3.3V 500mA)

Bestcreate Technology Limited

TOLERANCES UNLESS OTHERWISE SPECIFIED:

.X	± 0.35	.X'	± 2'
.XX	± 0.25	.X''	± 1'
.XXX	± 0.15	.XX'	± 0.5'

Website: www.bsc-elec.com
Email: bestcreate@bsc-elec.com

DESIGN: I.L
CHECKED: C.W
APPROVED: C.W
DATE: 2017.3.1

TITLE: MID MOUNT 1.9MM 20P DP FEMALE CONNECTOR, PCB=1.6MM
MATERILA: PART NO: DP09-F1A5X-021
FINSH: DWG NO: DP09-F1A5X-021
SIZE: A4

REV: A UNIT mm SCALE 1=1 QUALITY SYMBOLS