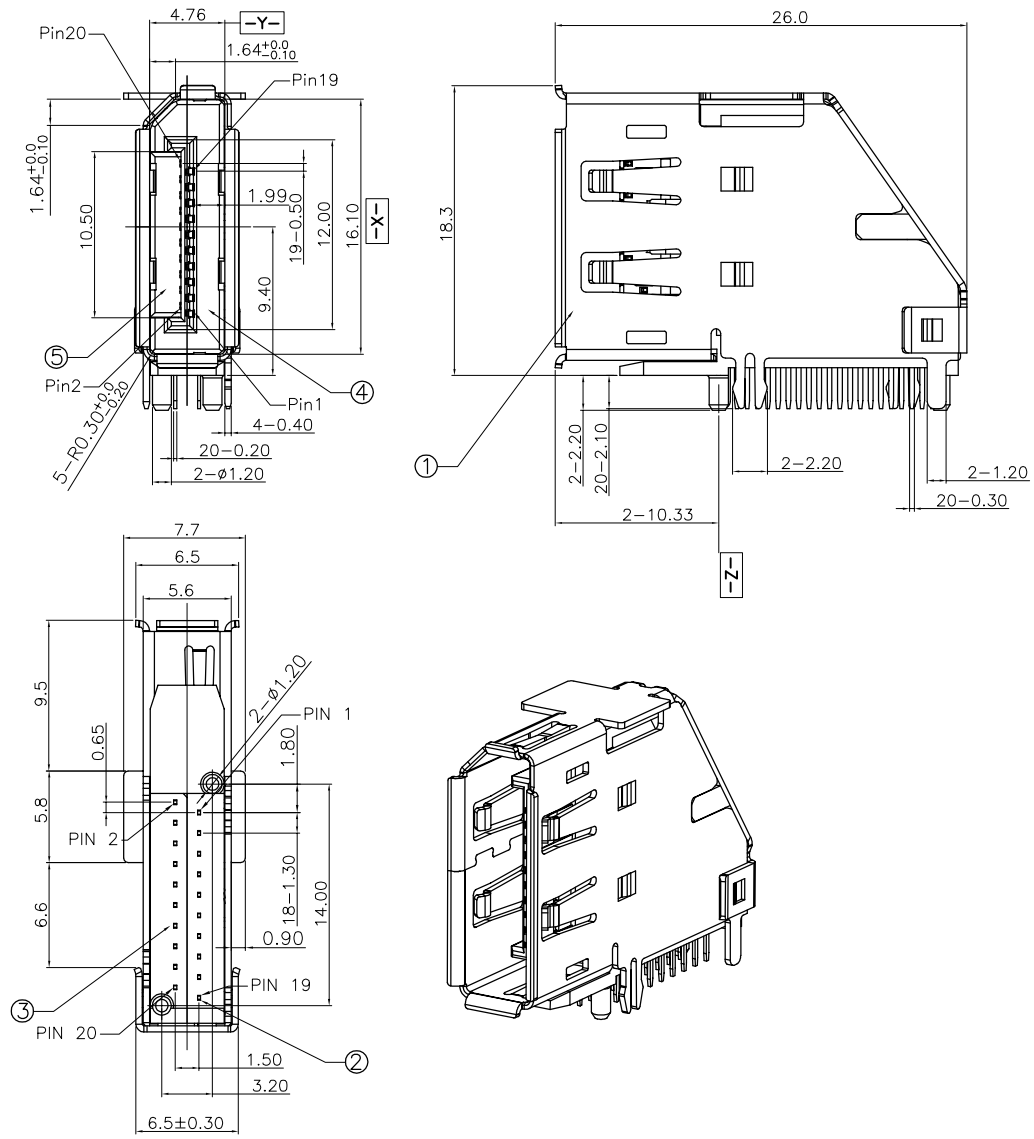


RoHS Compliant

REVISIONS			
REV.	DESCRIPTION	DATE	DESIGN



SPECIFICATIONS:

- MECHANICAL :
 - INSERTION FORCE :44.1 N MAX
 - WITHDRAWAL FORCE :9.8 N MIN.
AFTER 5,000 CYCLES MATING: 0.3kgf MIN.
- ELECTRICAL :
 - CONTACT CURRENT RATING: 0.5A MIN.
 - VOLTAGE RATING :40V AC (rms)
 - WITHSTANDING VOLTAGE: 500 VAC FOR 1 MINUTE.
INSULATION RESISTANCE: 100 MEGAOHMS MIN.
 - CONTACT RESISTANCE: 30 MILLIOHMS MAX.
- ENVIRONMENTAL :
 - OPERATING TEMPERATURE:-40°C TO +85°C
 - HUMIDITY: 85% RH MAX
- RECOMMENDED PROCESS :
WAVE SOLDER,PEAK TEMPERATURE 270°C,10SEC MAX
IR REFLOW,PEAK TEMP 270°C,REFLOW TEMP 225°C
60S MAX

PART NO. INFORMATION

DP09- F X X 5 R - 010

GENDER
 F: FEMALE
 M: MALE
 CONTACT PLATED
 1: GOLD FLASH
 2: GOLD 3U''
 3: GOLD 5U''
 4: GOLD 10U''
 5: GOLD 15U''
 6: GOLD 30U''
 PACKAGE
 R: TAPE REEL T: TRAY
 HOUSING COLOR
 2: WHITE
 5: BLACK
 9: NATURE
 HOUSING MATERIAL
 A: LCP B: PBT
 C: PA9T D: PA6T
 E: PA46 F: PA66

Bestcreate Technology Limited

TOLERANCES UNLESS OTHERWISE SPECIFIED:

.X ± 0.35	X.* ± 2'
.XX ± 0.25	.X* ± 1'
.XXX ± 0.15	.XX* ± 0.5'

Website: www.bsc-elec.com
 Email: bestcreate@bsc-elec.com

DESIGN: I. L
 DATE: 2017. 3. 1

CHECKED: C. W
 DATE: 2017. 3. 1

APPROVED: C. W
 DATE: 2017. 3. 1

TITLE: UPRIGHT DISPLAYPORT FEMALE CONNECTOR
 DIP TYPE

MATERILA: PART NO: DP09-FXX5R-010 SIZE: A4

FINSH: DWG NO: DP09-FXX5R-010

REV: A
 UNIT mm
 SCALE 1=1
 QUALITY SYMBOLS

1

2

3

4

5

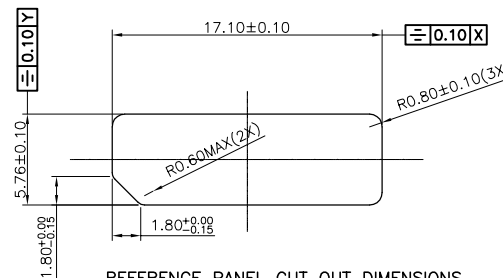
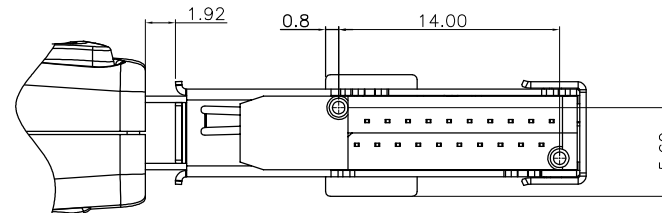
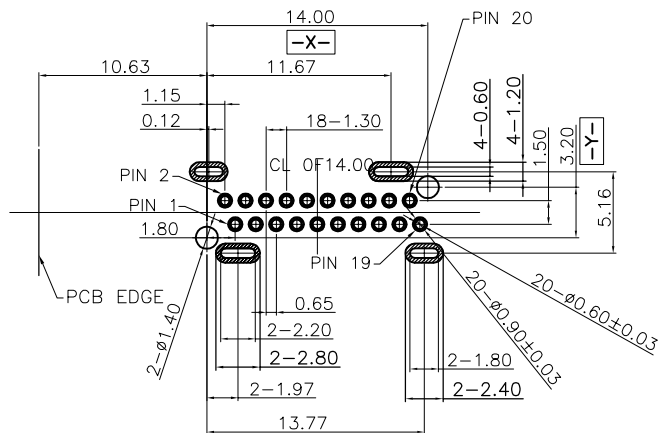
6

7

8

RoHS Compliant

REVISIONS			
REV.	DESCRIPTION	DATE	DESIGN



RECOMMENDED P.C.B. LAYOUT (THICKNESS=1.60mm)
TOLERANCE UNSPECIFIED ±0.05mm ALL POSITION TOL. ± 0.06 X Y

REFERENCE PANEL CUT OUT DIMENSIONS

4. PIN ASSIGNMENTS

PIN NUMBER	SOURCE-SIDE PIN ASSIGNMENT	SINK-SIDE PIN ASSIGNMENT
PIN 1	ML_lane 0(p)	ML_lane 3(n)
PIN 2	GND	GND
PIN 3	ML_lane 0(n)	ML_lane 3(p)
PIN 4	ML_lane 1(p)	ML_lane 2(n)
PIN 5	GND	GND
PIN 6	ML_lane 1(n)	ML_lane 2(p)
PIN 7	ML_lane 2(p)	ML_lane 1(n)
PIN 8	GND	GND
PIN 9	ML_lane 2(n)	ML_lane 1(p)
PIN 10	ML_lane 3(p)	ML_lane 0(n)
PIN 11	GND	GND
PIN 12	ML_lane 3(n)	ML_lane 0(p)
PIN 13	CONFIG1	CONFIG1
PIN 14	CONFIG2	CONFIG2
PIN 15	AUX CH (p)	AUX CH (p)
PIN 16	GND	GND
PIN 17	AUX CH (n)	AUX CH (n)
PIN 18	HOT PLUG DETECT	HOT PLUG DETECT
PIN 19	RETURN	RETURN
PIN 20	DP PWR	DP PWR

1	COLOR:BLACK	THERMOPLASTIC UL94V-0	2~20PIN MOLDING	⑤
1	COLOR:BLACK	THERMOPLASTIC UL94V-0	1~19PIN MOLDING	④
10	Ni 50u" MIN PLATING OVERALL Sn 100u" MIN AT SOLDER AREA Au 30u"MIN OR 15u"MIN OR G/F 1u"MIN	COPPER ALLOY	2~20PIN CONTACT	③
10	Ni 50u" MIN PLATING OVERALL Sn 100u" MIN AT SOLDER AREA Au 30u"MIN OR 15u"MIN OR G/F 1u"MIN	COPPER ALLOY	1~19PIN CONTACT	②
1	NICKEL PLATED OVER ALL, ONLY TIN PLATED OVER DIP FEET.	COPPER ALLOY	SHELL	○
QTY'S	REMARK	SPECIFICATION	PART	ITEM

Bestcreate Technology Limited

TOLERANCES UNLESS OTHERWISE SPECIFIED:

.X	± 0.35	X.	± 2'
.XX	± 0.25	.X"	± 1'
.XXX	± 0.15	.X"	± 0.5'

Website: www.bsc-elec.com
Email: bestcreate@bsc-elec.com

DESIGN: I. L DATE: 2017. 3. 1

CHECKED: C. W DATE: 2017. 3. 1

APPROVED: C. W DATE: 2017. 3. 1

TITLE: DISPLAYPORT EXTERNAL FEMALE CONNECTOR
DIP TYPE DOUBLE ROW

MATERIA:	PART NO: DP09-FXX5R-010	SIZE: A4
FINSH:	DWG NO: DP09-FXX5R-010	

REV: A UNIT mm SCALE 1=1 QUALITY SYMBOLS