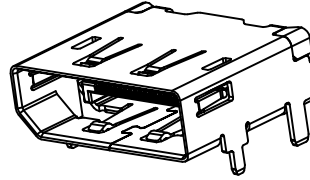
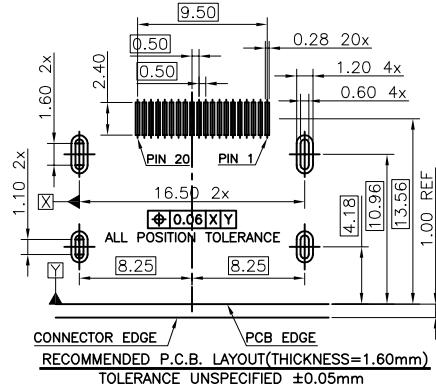
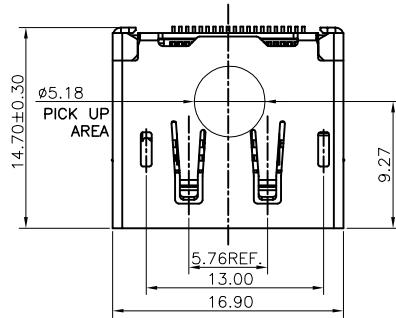


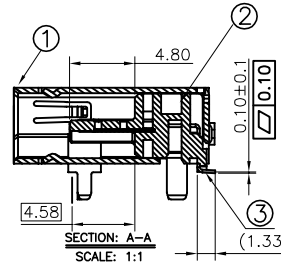
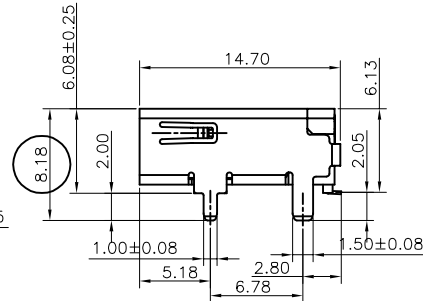
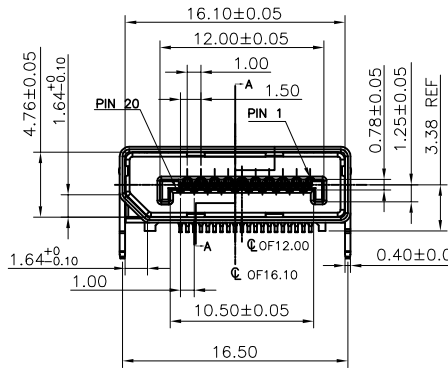
RoHS Compliant

REVISIONS			
REV.	DESCRIPTION	DATE	DESIGN



SPECIFICATIONS:

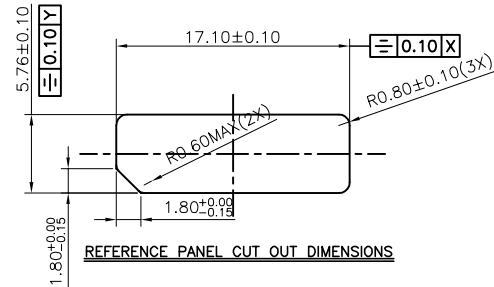
- MECHANICAL :
 - INSERTION FORCE :44.1 N MAX
 - WITHDRAWAL FORCE :9.8 N MIN.
AFTER 5,000 CYCLES MATING: 0.3kgf MIN.
- ELECTRICAL :
 - CONTACT CURRENT RATING: 0.5A MIN.
 - VOLTAGE RATING :40V AC (rms)
 - WITHSTANDING VOLTAGE: 500 VAC FOR 1 MINUTE.
INSULATION RESISTANCE: 100 MEGAOHMS MIN.
 - CONTACT RESISTANCE: 30 MILLIOHMS MAX.
- ENVIRONMENTAL :
 - OPERATING TEMPERATURE: -40°C TO +85°C



PART NO. INFORMATION

DP09- F X X 5 R - 012

- GENDER
F: FEMALE
M: MALE
- CONTACT PLATED
1: GOLD FLASH
2: GOLD 3U''
3: GOLD 5U''
4: GOLD 10U''
5: GOLD 15U''
6: GOLD 30U''
- PACKAGE
R: TAPE REEL T: TRAY
- HOUSING COLOR
2: WHITE
5: BLACK
9: NATURE
- HOUSING MATERIAL
A: LCP B: PBT
C: PA9T D: PA6T
E: PA46 F: PA66



3	CONTACTS	20	COPPER ALLOY, GOLD PLATED OVER NICKEL ON CONTACT AREA AND 100µ" MIN. TIN PLATED OVER NICKEL ON SOLDER TAILS
2	HOUSING	1	THERMOPLASTIC UL94V-0
1	SHELL	1	BRASS,NICKEL PLATED
ITEM	NAME	Q'TY	NOTES

Bestcreate Technology Limited

TOLERANCES UNLESS OTHERWISE SPECIFIED:

.X	± 0.35	X.*	± 2"
.XX	± 0.25	.X*	± 1"
.XXX	± 0.15	.XX*	± 0.5"

Website: www.bsc-elec.com

Email: bestcreate@bsc-elec.com

DESIGN:

DATE:

I.L

2017.3.1

CHECKED:

DATE:

C.W

2017.3.1

APPROVED:

DATE:

C.W

2017.3.1

TITLE:

DISPLAYPORT FEMALE CONNECTOR SMT TYPE,
R/A

MATERILA:

PART NO:

DP09-FXX5R-012

SIZE:

A4

FINSH:

DWG NO:

DP09-FXX5R-012

REV:

A

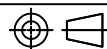
UNIT

mm

SCALE

1=1

QUALITY SYMBOLS



1

2

3

4

5

6

7

8