

RoHS Compliant

PITCH 2.0mm BAR CONNECTORS

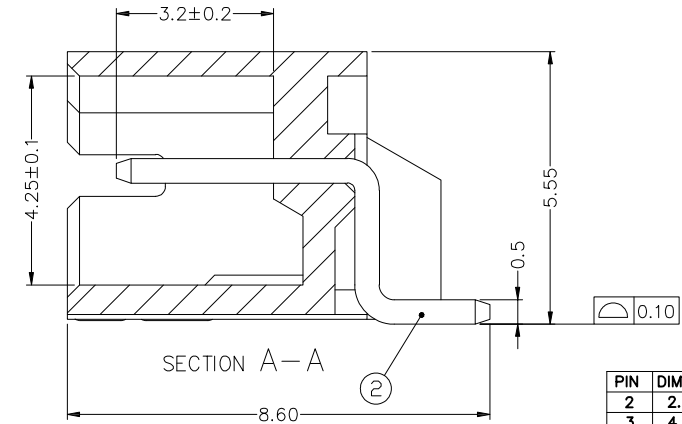
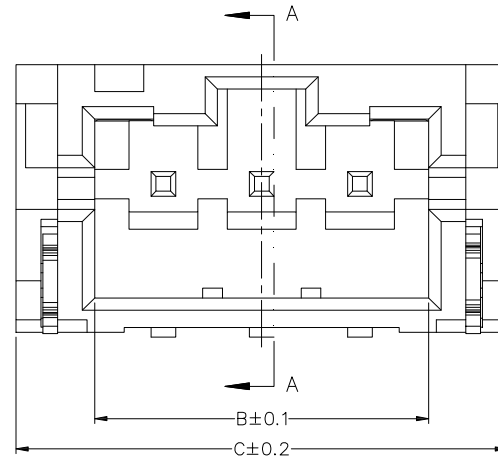
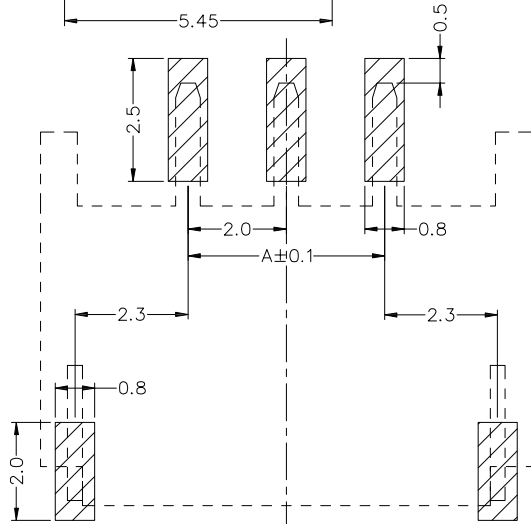
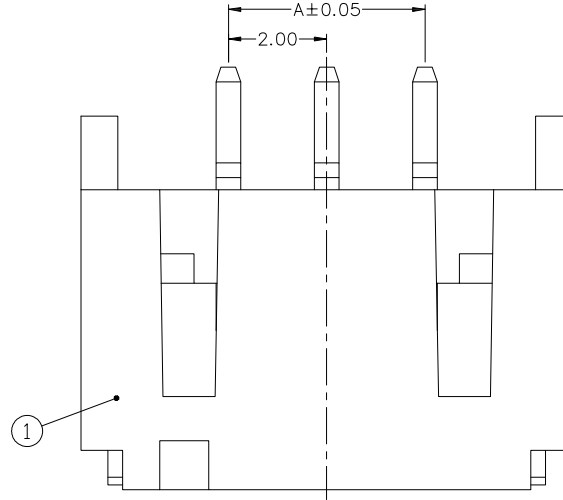
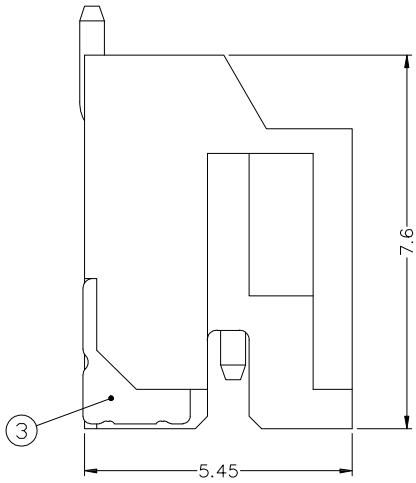
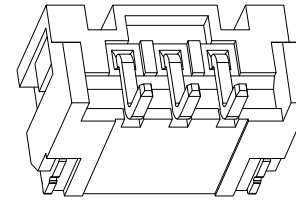
REVISIONS			
REV.	DESCRIPTION	DATE	DESIGN

Electrical  
 rated current:1A AC(rms)/DC  
 nominal voltage:100V AC(rms)/DC  
 Dielectric Withstanding Voltage:500V AC/rms  
 Contact Resistance: $\leq 20m\Omega$  max(initial)  
 Insulation Resistance:500 M $\Omega$  min  
 Operating Temp:-20°C~+85°C

PART NO. INFORMATION

**FPC20-XX 0 1 X -B001**

NO. OF CONTACTS  
 PLATING  
 0: TIN  
 G: GOLD FLASH  
 PACKAGE  
 T:TUBE  
 R:TAPE&REEL  
 1:ROHS  
 2: HALOGEN FREE



PIN	DIM A	DIM B	DIM C
2	2.00	4.80	8.00
3	4.00	6.80	10.00
4	6.00	8.80	12.00
5	8.00	10.80	14.00
6	10.00	12.80	16.00
7	12.00	14.80	18.00
8	14.00	16.80	20.00
9	16.00	18.80	22.00
10	18.00	20.80	24.00
11	20.00	22.80	26.00
12	22.00	24.80	28.00

③	FITTING	PHOSPHOR BRONZE	PDR-30-AK
②	TERMINAL	BRASS	PKK-30-ADZ
①	HOUSING	LCP(NATURAL)UL94V-0	L2SD-NY
SERIAL NUMBER	NAMER	MATERIALS	PART NUMBER

**Bestcreate Technology Limited**

TOLERANCES UNLESS OTHERWISE SPECIFIED:

.X	± 0.50	X.*	± 2'
.XX	± 0.20	.X'	± 1'
.XXX	± 0.05	.XX'	± 0.5'

DESIGN: I.L DATE: 2017. 3. 1

CHECKED: C.W DATE: 2017. 3. 1

APPROVED: C.W DATE: 2017. 3. 1

TITLE: 2.0mm 条形连接器卧贴

MATERIAL: PART NO: FPC20-XX01X-B001 SIZE: A4

FINISH: DWG NO: FPC20-XX01X-B001

REV: A UNIT mm SCALE 1=1 QUALITY SYMBOLS

Website:www.bsc-elec.com  
 Email:bestcreate@bsc-elec.com