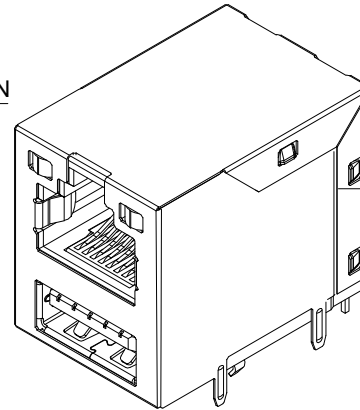
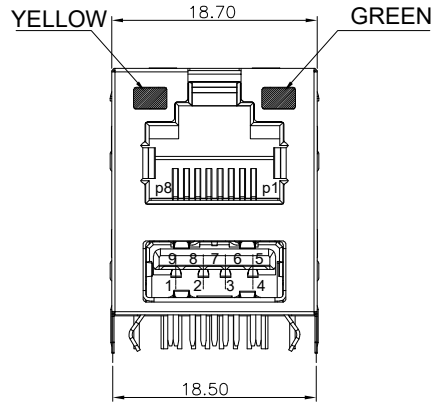
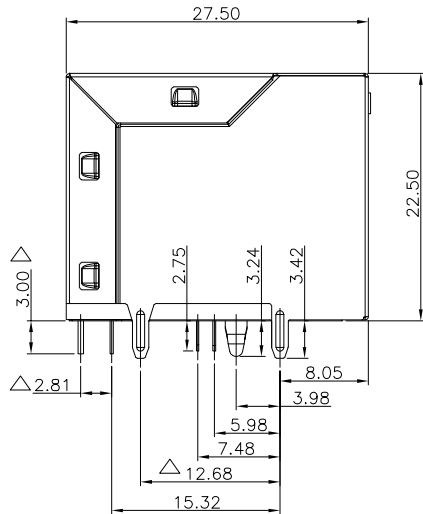


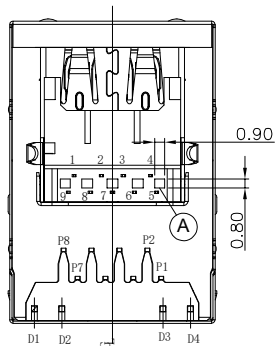
RoHS Compliant

REVISIONS			
REV.	DESCRIPTION	DATE	DESIGN

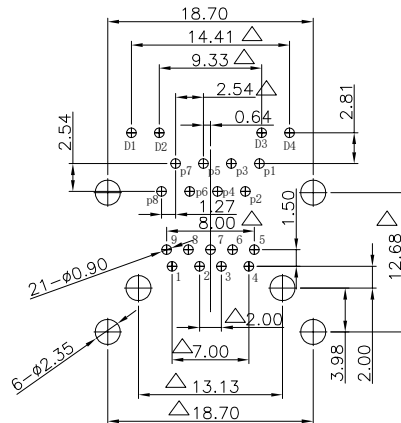


Notes:

- 1.Meets for exceeds IEEE802.3 standards.
- 2.Materials:
 - 2.1.RJ45Housing : Thermo plastics,PBT ,BK,UL94V-0.
 - USB Housing: Thermo plastics,PBT ,Blue,UL94V-0.
 - 2.2.Insert Base : Thermo plastics.PBT.BK.UL94V-0.
 - 2.3.Contact : Phosphor Copper
 - 2.4.Shell : C2680 . 30u Min Nickel plating overall.
 - 2.5.RJ45 Terminal material : C5191-EH.
- Plating specification :
 - Gold plating Flash on contact area ;
 - 30u" min Ni underplating over all ;
 - 80u"tin Plating on solder tail area.
- 2.7.USB Terminal material : C2680.
- Plating specification :
 - Gold plating Flash on contact area ;
 - 30u" min Ni underplating over all ;
 - 80u"tin Plating on solder tail area.
- 3.Operating Temperature:-40°C to +85°C.
- 4.Storage Temperature:-40°C to +85°C.



BOTTOM VIEW



RECOMMENDED P.C.B LAYOUT
TOP VIEW (COMPONENT SIDE)

PART NO. INFORMATION

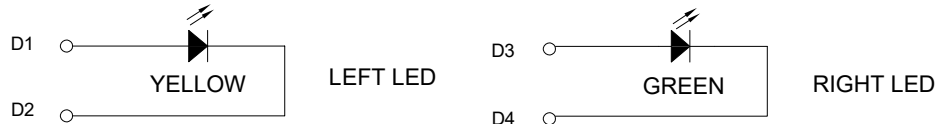
RJU3001- X 5 0 X - 005

CONTACT PLATED

- 1: G/F
- 2: AU 3U"
- 3: AU 6U"
- 4: AU 15U"
- 5: AU 30U"

- PACKAGE
- R: TAPE REEL
- T: TRAY

LED Information:



Bestcreate Technology Limited

TOLERANCES UNLESS OTHERWISE SPECIFIED:

.X	± 0.35	X'	± 3'
.XX	± 0.25	.X'	± 2'
.XXX	± 0.15	.XX'	± 1'

Website: www.bsc-elec.com
Email: bestcreate@bsc-elec.com

DESIGN:	DATE:
I. L	2017. 3. 1
CHECKED:	DATE:
C. W	2017. 3. 1
APPROVED:	DATE:
C. W	2017. 3. 1

TITLE:		
RJ45+U3.0 WITH LED,L-YELLOW R-GREEN		
MATERILA:	PART NO:	SIZE:
	RJU3001-X50X-005	A4
FINSH:	DWG NO:	
	RJU3001-X50X-005	

REV:	UNIT	SCALE	QUALITY SYMBOLS
A	mm	1=1	