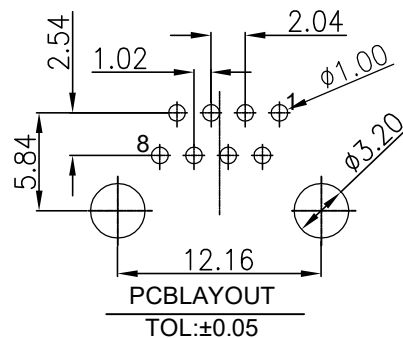
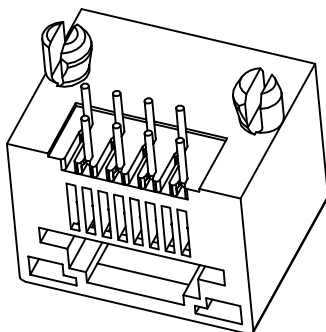
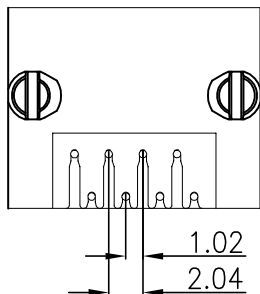
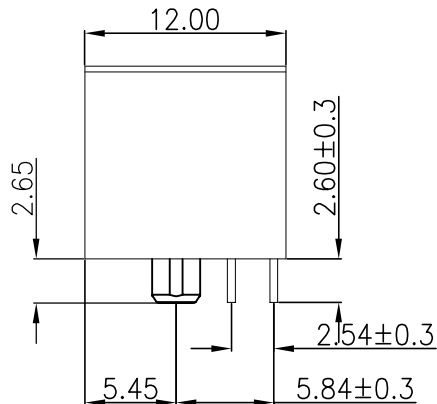
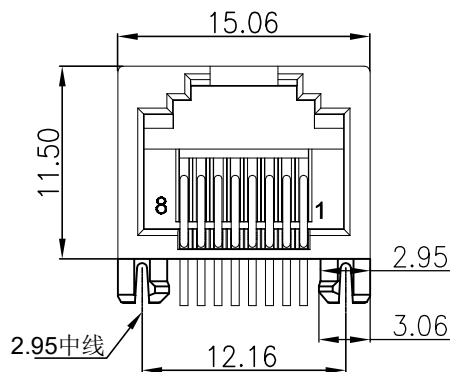


RoHS Compliant

REVISIONS			
REV.	DESCRIPTION	DATE	DESIGN



NOTES

MATERIAL  
 1. HOUSING MATERIAL : GLASS FILLED POLYESTER UL94V-0.  
 2. CONTACT MATERIAL : PHOSPHOR BRONZE  $\phi$ 0.46mm.  
 3. PLATING : GOLD FLASH PLATING OVER NICKEL.

ELECTRICAL  
 1. VOLTAGE RATING : 125 VAC RMS.  
 2. CURRENT RATING : 1.5 AMP.  
 3. CONTACT RESISTANCE : 40 MILLIOHMS MAX.  
 4. INSULATION RESISTANCE : 500 MEGOHMS MIN @ 100V DC .  
 5. DIELECTRIC DIELECTRIC RESISTANCE : 500V DC RMS 50Hz. 1MIN.

MECHANICAL  
 1. DURRABILITY : 750 CYCLES MIN.  
 2. MATING/UNMATING FORC: 2.24 KG.F MAX.

ENVIRONMENTAL:  
 1. OPERATION : -40°C~+85°C.  
 2. STORAGE : -40°C~+85°C.

PART NO. INFORMATION

**RJ01- X 5 X X - 021**

CONTACT PLATED  
 1: G/F 2: AU 3U"  
 3: AU 6U" 4: AU 15U"  
 5: AU 30U"  
 PACKAGE  
 R: TAPE REEL  
 T: TRAY

HOUSING:  
 1:PBT BLACK 2:PBT YELLOW  
 3:PBT ORANGE 4:PBT BLUE  
 5:PBT GRAY 6:PBT WHITE  
 7:PA9T 114C YELLOW 8:PBT YELLOW  
 9:PA9T BLUE 10:PA46 BLACK

**Bestcreate Technology Limited**

TOLERANCES UNLESS OTHERWISE SPECIFIED:

.X	± 0.30	X.	± 3'
.XX	± 0.20	.X'	± 2'
.XXX	± 0.10	.XX'	± 1'

Website: [www.bsc-elec.com](http://www.bsc-elec.com)  
 Email: [bestcreate@bsc-elec.com](mailto:bestcreate@bsc-elec.com)

DESIGN: I. L. DATE: 2017. 3. 1

CHECKED: C. W. DATE: 2017. 3. 1

APPROVED: C. W. DATE: 2017. 3. 1

TITLE: RJ45 5301 8P8C FEMALE CONNECTOR DIP TYPE

MATERIAL: PART NO: RJ01-X5XX-021 SIZE: A4

FINSH: DWG NO: RJ01-X5XX-021

REV: A UNIT mm SCALE 1=1 QUALITY SYMBOLS