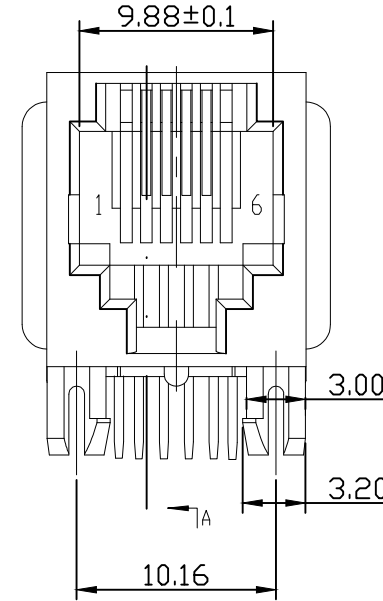
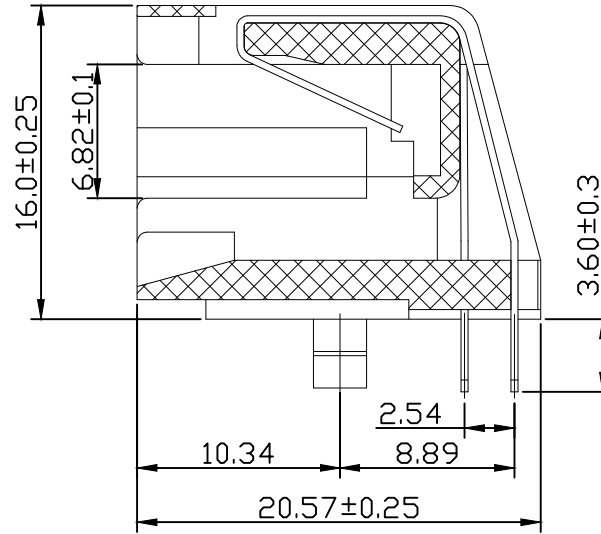
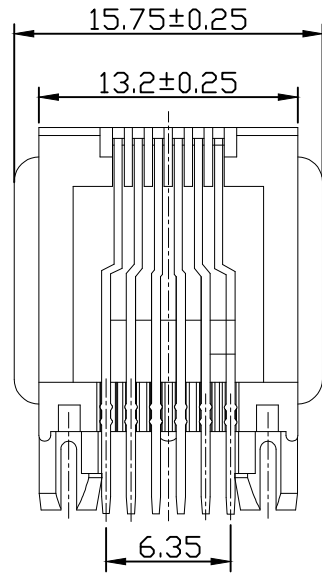
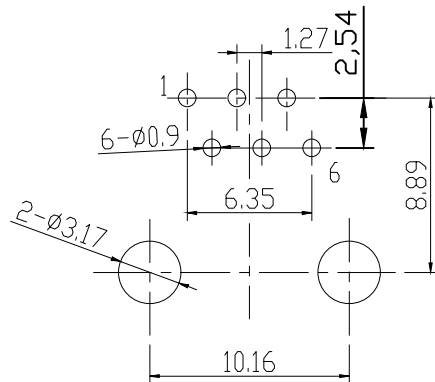


CUSTOMER DRAWING

版次 REV.	ECN编号 ECN NUMBER	设变内容 MODIFICATION	日期 DATE	制图 DRAW	核准 APPROVE
A		初版发行	21-OCT-18	DOREN	DDS



A-A



NOTES

MATERIAL  
 1. HOUSING MATERIAL : GLASS FILLED POLYESTER UL94V-0.  
 2. CONTACT MATERIAL : PHOSPHOR BRONZE T=0.35mm.  
 3. PLATING : GOLD FLASH PLATING OVER NICKEL.

ELECTRICAL  
 1. VOLTAGE RATING : 125 VAC RMS.  
 2. CURRENT RATING : 1.5 AMP.  
 3. CONTACT RESISTANCE : 40 MILLIOHMS MAX.  
 4. INSULATION RESISTANCE : 500 MEGOHMS MIN @ 100V DC .  
 5. DIELECTRIC DIELECTRIC RESISTANCE : 500V DC RMS 50Hz. 1MIN.

MECHANICAL  
 1. DURRABILITY : 750 CYCLES MIN.  
 2. MATING/UNMATING FORCE : 2.04 KG. F MAX.

ENVIRONMENTAL:  
 1. STORAGE : -40°C ~ +85°C.  
 2. OPERATION : 0° C TO 70° C.

RK 0 00 - ZZ X - J 1 X - 024  
 系列码 全塑 流水号 塑胶码  
 1:有耳 0:黑色 1:灰色412U  
 J:6P6C DIP  
 1:GOLD FLASH  
 8:3u"  
 B:6u"

THESE DRAWINGS AND SPECIFICATIONS ARE THE PROPERTY OF GMA AND SHALL BE COPIED OR NOT BE REPRODUCED IN ANY MANNER WITHOUT THE PRIOR WRITTEN CONSENT OF GMA	DIMENSION IN mm [Inch]		料号 FILE NO.		图号 DWG NO.
	TOLERANCE UNLESS OTHERWISE SPECIFIED		RK000-ZZ1-J1X-024		RK024-1
	.X± 0.35	X° ± 3°	名称 TITLE		
	.XX± 0.25	.X° ± 2°	RJ11 6P6C FEMALE CONNECTOR DIP TYPE		
	.XXX± 0.15	.XX° ± 1°	制图 DRAW	角法 PROJ.	图纸 SIZE A4
ZILL	DDS	DOREN	比例 SCALE 1:1	张数 SHEET 1/1	版次 REV A