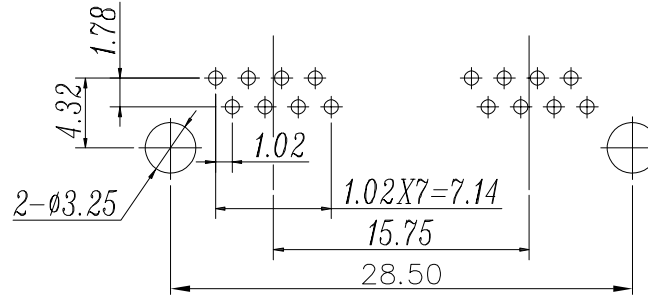
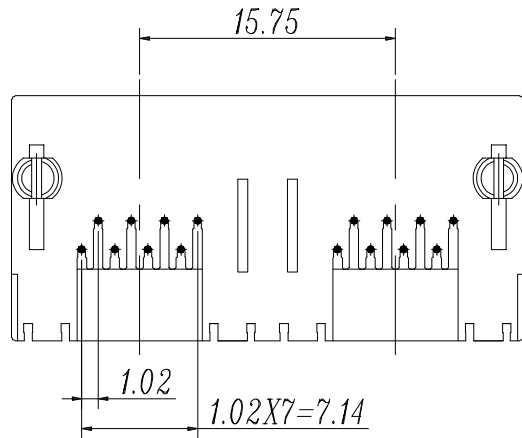
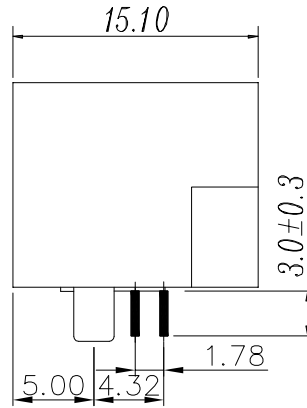
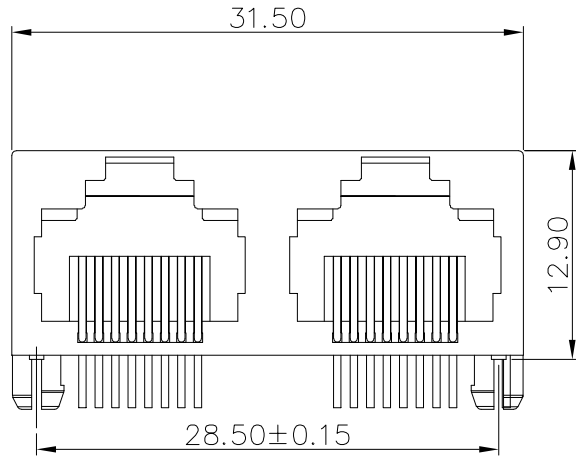


RoHS Compliant

REVISIONS			
REV.	DESCRIPTION	DATE	DESIGN



PCBLAYOUT  
TOL: ±0.05

NOTES

MATERIAL

- 1. HOUSING MATERIAL : THERMO PLASTICS UL94V-0.
- 2. CONTACT MATERIAL : PHOSPHOR BRONZE Ø0.46mm.
- 3. PLATING : GOLD FLASH PLATING OVER NICKEL.

ELECTRICAL

- 1. VOLTAGE RATING : 125 VAC RMS.
- 2. CURRENT RATING : 1.5 AMP.
- 3. CONTACT RESISTANCE : 40 MILLIOHMS MAX.
- 4. INSULATION RESISTANCE : 500 MEGOHMS MIN @ 100V DC .
- 5. DIELECTRIC DIELECTRIC RESISTANCE : 500V DC RMS 50Hz. 1MIN.

MECHANICAL

- 1. DURRABILITY : 750 CYCLES MIN.
- 2. MATING/UNMATING FORCE: 2.24 KG. F MAX.

ENVIRONMENTAL :

- 1. STORAGE : -40°C ~+85°C.
- 2. OPERATION : -40°C ~+85°C.

PART NO. INFORMATION

**RJ01- X 5 X X - 089**

CONTACT PLATED

- 1: G/F
- 2: AU 3U"
- 3: AU 6U"

- PACKAGE  
R: TAPE REEL  
T: TRAY

HOUSING:

- 1:PBT BLACK
- 2:PBT YELLOW
- 3:PBT GRAY

**Bestcreate Technology Limited**

TOLERANCES UNLESS OTHERWISE SPECIFIED:

.X	± 0.35	.X.	± 3"
.XX	± 0.25	.X'	± 2"
.XXX	± 0.15	.XX'	± 1"

Website: [www.bsc-elec.com](http://www.bsc-elec.com)  
Email: [bestcreate@bsc-elec.com](mailto:bestcreate@bsc-elec.com)

DESIGN:	DATE:
I. L	2017. 3. 1
CHECKED:	DATE:
C. W	2017. 3. 1
APPROVED:	DATE:
C. W	2017. 3. 1

TITLE: **56S 1X2 8P8C RJ45  
Female Connector**

MATERILA:	PART NO:	SIZE:
FINSH:	RJ01-X5XX-089	A4
	DWG NO:	
	RJ01-X5XX-089	

REV: A	UNIT mm	SCALE 1=1	QUALITY SYMBOLS
--------	---------	-----------	-----------------