

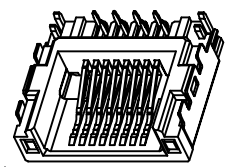
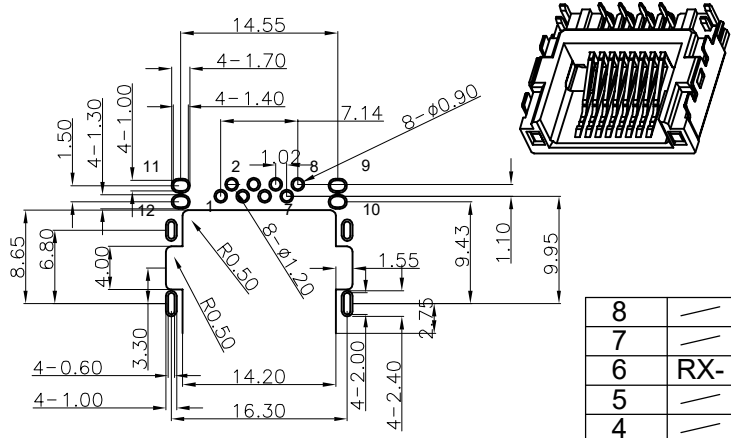
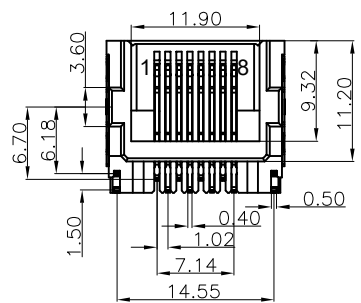
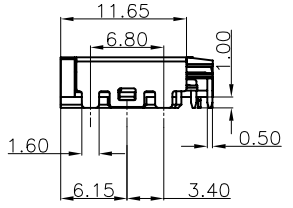
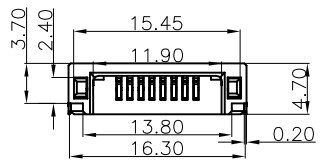
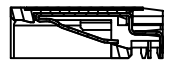
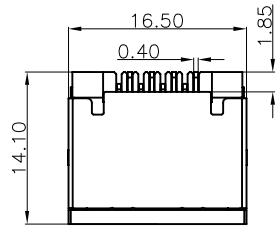
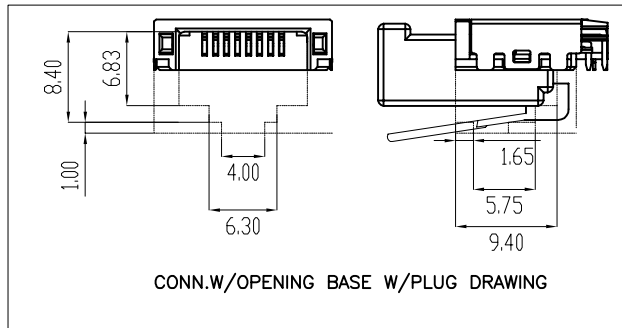
RoHS Compliant

REVISIONS

REV.	DESCRIPTION	DATE	DESIGN

NOTES

- MATERIAL
- 1. HOUSING MATERIAL : THERMO PLASTICS UL94V-0 BLACK.
  - 2. CONTACT MATERIAL : PHOSPHOR BRONZE T=0.25mm.
  - 3. PLATING : GOLD PLATING 1U" ON CONTACT AREA  
50U" MIN NICKEL UNDERPLATING  
60U" MIN TIN ON SOLDER TAIL NICKEL.
  - 4. SHIELD : 0.20mm THICKNESS COPPER ALLOY WITH 50u" NICKEL PLATED.
  - 5. LED : SPCC
- ELECTRICAL
- 1. VOLTAGE RATING : 125 VAC RMS.
  - 2. CURRENT RATING : 1.5 AMP.
  - 3. CONTACT RESISTANCE : 40 MILLIOHMS MAX.
  - 4. INSULATION RESISTANCE : 500 MEGOHMS MIN @ 100V DC .
  - 5. DIELECTRIC DIELECTRIC RESISTANCE : 500V DC RMS 50Hz. 1MIN.
- MECHANICAL
- 1. DURRABILITY : 750 CYCLES MIN.
  - 2. MATING/UNMATING FORC: 2.24 KG. F MAX.
- ENVIRONMENTAL:
- 1. OPERATION : -40°C~+85°C.
  - 2. STORAGE : -40°C~+85°C.



PART NO. INFORMATION

RJ01- X 5 X X - 027 - X

CONTACT PLATED

- 1: G/F
- 2: AU 3U"
- 3: AU 6U"
- 4: AU 15U"
- 5: AU 30U"

PACKAGE

- R: TAPE REEL
- T: TRAY

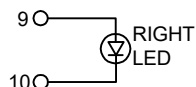
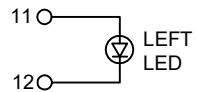
LED:

- 1:L-WHITE
- 2:L-GREEN
- R-AMBER
- R-YELLOW

HOUSING:

- 1:PBT BLACK
- 2:PBT YELLOW
- 3:PA46 BLACK
- 4:PBT BLUE
- 5:PA9T BLUE
- 6:PA9T YELLOW

8	—
7	—
6	RX-
5	—
4	—
3	RX+
2	TX-
1	TX+
PIN序 说明	



Bestcreate Technology Limited

TOLERANCES UNLESS OTHERWISE SPECIFIED:

.X	± 0.30	X.*	± 3"
.XX	± 0.20	.X*	± 2"
.XXX	± 0.10	.XX*	± 1"

Website: [www.bsc-elec.com](http://www.bsc-elec.com)  
Email: [bestcreate@bsc-elec.com](mailto:bestcreate@bsc-elec.com)

DESIGN:	I. L	DATE:	2017. 3. 1
CHECKED:	C. W	DATE:	2017. 3. 1
APPROVED:	C. W	DATE:	2017. 3. 1

TITLE: MID MOUNT 3.7MM RJ45 8P8C FEMALE CONNECTOR DIP TYPE WITH LED LIGHT		
MATERILA:	PART NO: RJ01-X5XX-027-X	SIZE: A4
FINSH:	DWG NO: RJ01-X5XX-027-X	

REV: A	UNIT mm	SCALE 1=1	QUALITY SYMBOLS	
-----------	------------	--------------	--------------------	--