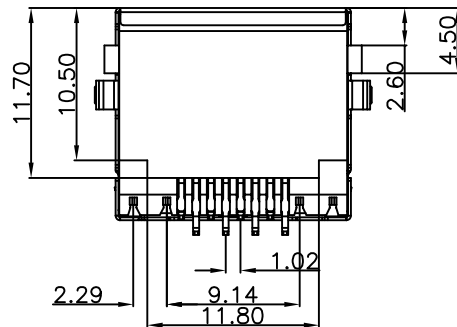
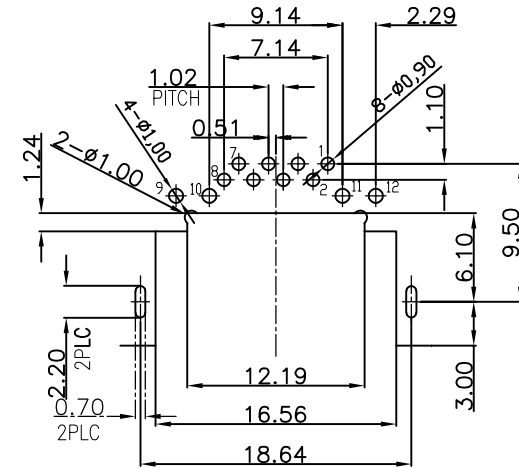
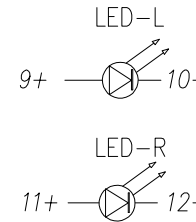
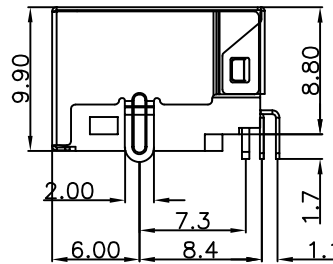
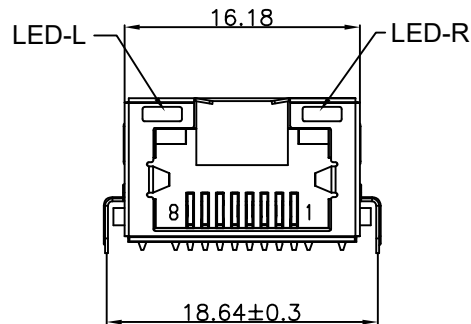
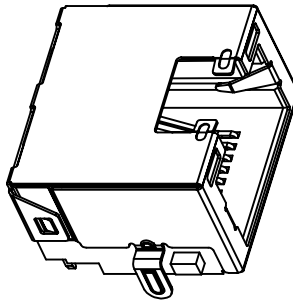
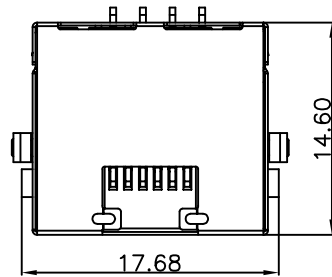


RoHS Compliant

REVISIONS			
REV.	DESCRIPTION	DATE	DESIGN

SPECIFICATION

- CURRENT RATING:1.5 AMP.
- VOLTAGE RATING:125 VAC RMS.
- INSULATION RESISTANCE:500 MEGOHMS MIN.
- WITHSTAND VOLTAGE:  
DC 500V RMS 50Hz or 60Hz MIN.
- CONTACT RESISTANCE:40 MILLIOHMS MAX.
- DURRABILITY:750 MATING CYCLES MIN.
- MATING/UNMATING FORC:2.24 KG. F MAX.
- OPERATION TEMPERATURE: -40°C ~+85°C.
- STORAGE TEMPERATURE: -40°C ~+85°C.



PART NO. INFORMATION

RJ01- X 5 X X - 031 - X

CONTACT PLATED

- 1: G/F
- 2: AU 3U"
- 3: AU 6U"
- 4: AU 15U"
- 5: AU 30U"

HOUSING:  
1:LCP BLACK

PACKAGE

- R: TAPE REEL
- T: TRAY

LED:

- 1:L-YELLOW R-GREEN
- 2:L-GREEN R-YELLOW

PCBLAYOUT

TOL:±0.05

4	LED	2	TIN PLATING		
3	SHELL	1	C2680 T=0.2mm NI PLATING		
2	TERMINAL	8	C5191 T=0.25mm Au PLATING ON CONTACT AREA, TIN PLATING ON SOLDER AREA, NI PLATING ALL AREA.		
1	HOUSING	1	LCP UL94V-0 BLACK		
NO.	PART NAME	Q'TY	MATERIAL	PLATING & COLOR	Remark

**Bestcreate Technology Limited**

TOLERANCES UNLESS OTHERWISE SPECIFIED:

.X	± 0.30	.X'	± 3'
.XX	± 0.20	.X''	± 2'
.XXX	± 0.10	.X'''	± 1'

DESIGN:

I. L

CHECKED:

APPROVED:

DATE:

2017. 3. 1

DATE:

2017. 3. 1

DATE:

2017. 3. 1

TITLE:

MID MOUNT 8.8MM RJ45 8P8C FEMALE CONNECTOR  
DIP TYPE 9.9H, WITH LED LIGHT

MATERILA:

FINSH:

PART NO:

DWG NO:

RJ01-X5XX-031-X

RJ01-X5XX-031-X

SIZE:

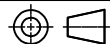
A4

REV: A

UNIT mm

SCALE 1=1

QUALITY SYMBOLS



Website:www.bsc-elec.com

Email:bestcreate@bsc-elec.com

1

2

3

4

5

6

7

8