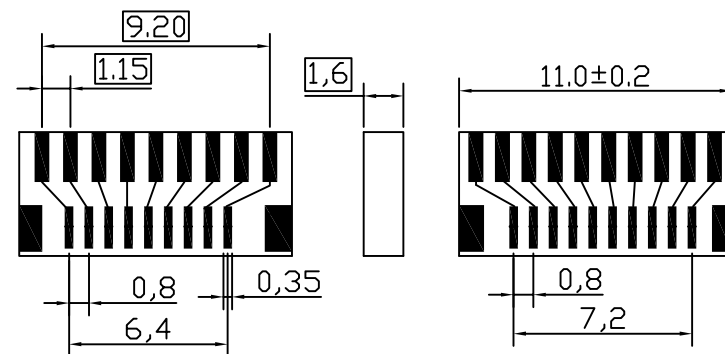
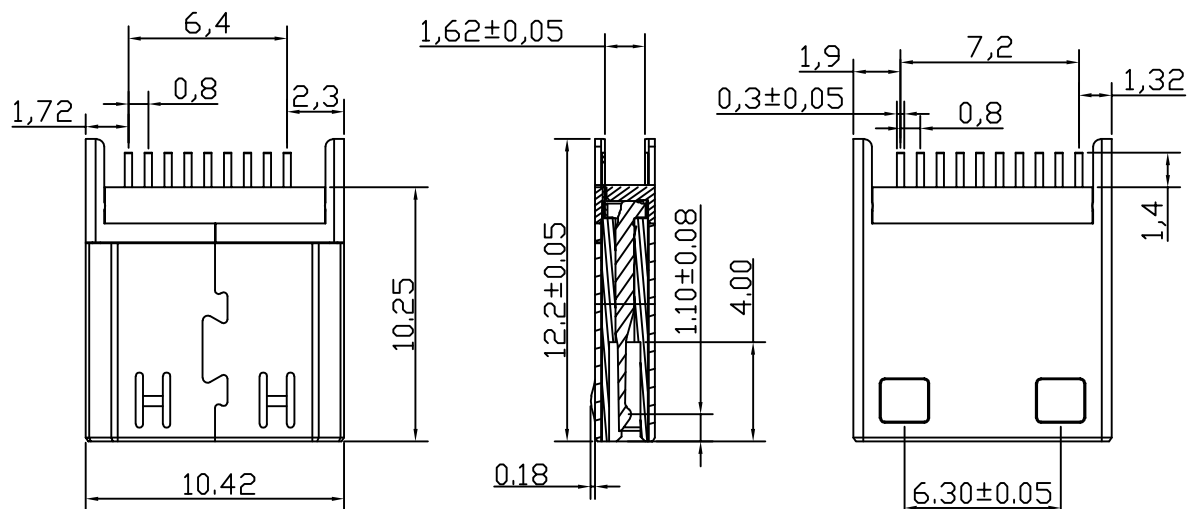


RoHS Compliant

REVISIONS			
REV.	DESCRIPTION	DATE	DESIGN



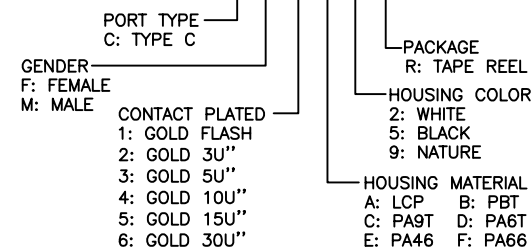
PCB T=1.6

NOTE:

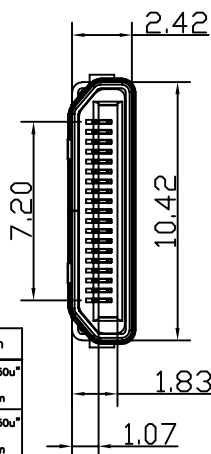
- Electrical
  - Rated Voltage: 40V AC/DC maximum
  - Rated Current: 0.5A maximum
  - Dielectric strength: 150V AC/1 minute
  - Insulation Resistance: 150V DC 10MΩ minimum
  - Contact Resistance: 10mΩ Maximum
- Mechanical
  - Insertion Force Max: 44.1N maximum
  - Removal Force Min: 7N minimum, 25N maximum
  - Durability: 5,000 cycles at 100±50 cycles per hour
- Plating
  - Terminal: Contact area: 30u" gold plate over 50u" Ni minimum, Solder area: 150u" pure TIN plate over 50u" Ni minimum
  - Front shell: No plate.
  - After shell: 120u" Ni plate over 50u" Cu minimum
- Temperature Range: -55°C To +85°C

PART NO. INFORMATION

HD01-C M X X 5 R - 001



SHELL	C2680/SPCC	1	Gold or 120u" Ni plate over 50u" Cu minimum
9PIN TERMINAL	C5191	1	CONTACT AREA: 1U" 3U" 5U" 15U" 30u" GOLD PLATE OVER 50u" Ni minimum SOLDER AREA: 150u" PURE TIN PLATE OVER 50u" Ni minimum
10PIN TERMINAL	C5191	1	CONTACT AREA: 1U" 3U" 5U" 15U" 30u" GOLD PLATE OVER 50u" Ni minimum SOLDER AREA: 150u" PURE TIN PLATE OVER 50u" Ni minimum
HOUSING	LCP	2	BLACK
PART NAME	Mechanical	QTY	NOTE



TOLERANCES UNLESS OTHERWISE SPECIFIED:

X.	± 0.50	X.'	± 3'
.X	± 0.25	.X'	± 2'
.XX	± 0.15	.XX'	± 1'

Tel/Whatsapp: 0086-13712299763  
Skype: belle.wu3340

DESIGN:	I. L	DATE:	2017. 3. 1
CHECKED:	C. W	DATE:	2017. 3. 1
APPROVED:	C. W	DATE:	2017. 3. 1

TITLE:	HDMI C MALE CONNECTOR SPLINT 1.6MM		
MATERILA:	PART NO:	SIZE:	A4
FINSH:	DWG NO:	HD01-CMXX5R-001	

Bestcreate Technology Limited

REV:	A	UNIT	mm	SCALE	1=1	QUALITY SYMBOLS	
------	---	------	----	-------	-----	-----------------	--