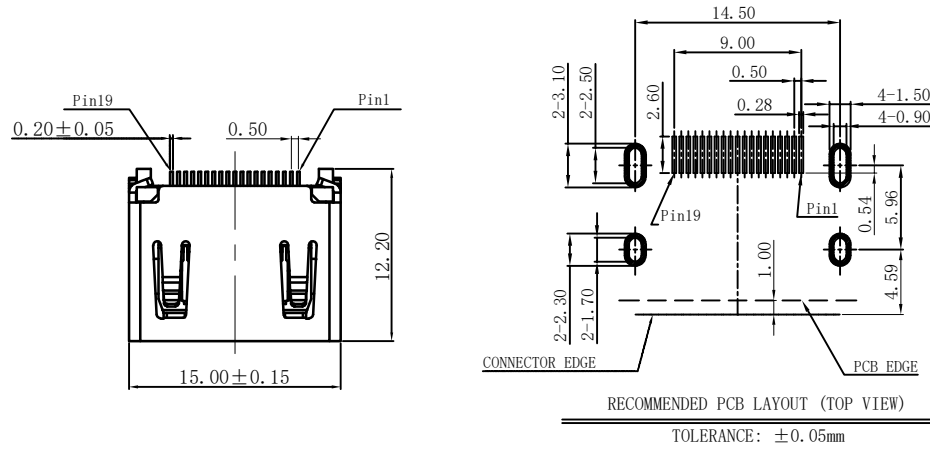


RoHS Compliant

REVISIONS			
REV.	DESCRIPTION	DATE	DESIGN

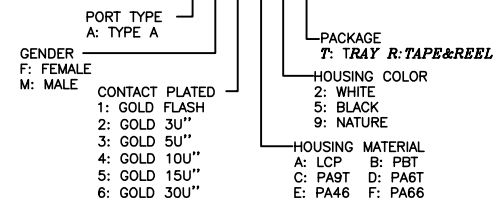


SPECIFICATIONS:

- ELECTRICAL CHARACTERISTICS
  - CURRENT RATING: 0.5 AMP
  - VOLTAGE RATING: 40 V
  - CONTACT RESISTANCE: 30MILLIOHMS MAX
  - INSULATION RESISTANCE: 100M MIN. @500V DC
  - DIELECTRIC WITHSTANDING VOLTAGE: 500V AC FOR 1 MINUTE
- MECHANICAL CHARACTERISTICS:
  - INSERTION FORCE : 4.5KGF MAX.
  - WITHDRAWING FORCE : 1KGF ~ 4KGF.
- LIFE TEST: 10000 CYCLES
- OPERATING TEMPERATURE: -25° C TO +85° C
- PART NO. DESCRIPTION:

PART NO. INFORMATION

**HD01-A F X X 5 X - 034 - V2**



C	SHELL	1	C2680R-H T=0.5mm, Ni 50u" PLATING ALL OVER
B	TERMINAL	19	C2680R-H SEE PART NO.
A	HOUSING	1	LCP E130i UL94V-0 BLACK
NO	PART NAME	QTY	MATERIAL PLATING & COLOR

**Bestcreate Technology Limited**

TOLERANCES UNLESS OTHERWISE SPECIFIED:

.X	± 0.35	X'	± 3'
.XX	± 0.25	.X'	± 2'
.XXX	± 0.15	.XX'	± 1'

E-mail: [bestcreate@bsc-elec.com](mailto:bestcreate@bsc-elec.com)  
Website: [www.bsc-elec.com](http://www.bsc-elec.com)

DESIGN:

DATE:

I.L

2017.3.1

CHECKED:

DATE:

C.W

2017.3.1

APPROVED:

DATE:

C.W

2017.3.1

TITLE:

HDMI 2.1 VERSION A FEMALE CONNECTOR SMD TYPE WITH PIN LENGTH 2.0MM

MATERIAL:

PART NO:

HD01-AFXX5X-034-V2

SIZE:

A4

FINISH:

DWG NO:

HD01-AFXX5X-034-V2

REV:

A

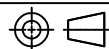
UNIT

mm

SCALE

1=1

QUALITY SYMBOLS



1

2

3

4

5

6

7

8