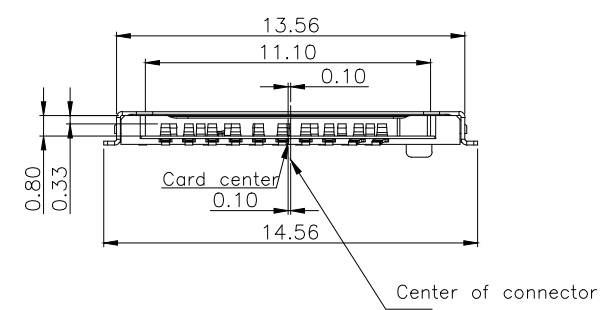
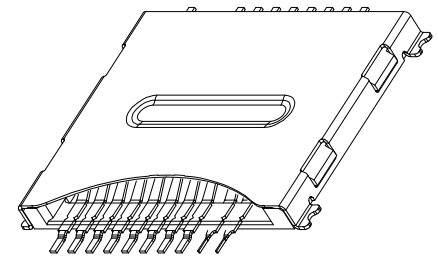
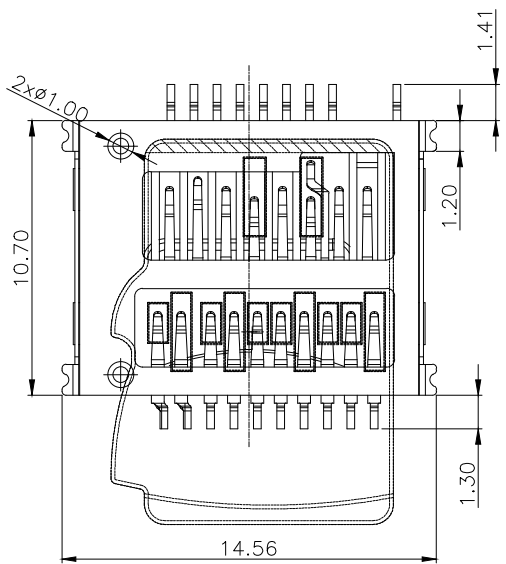
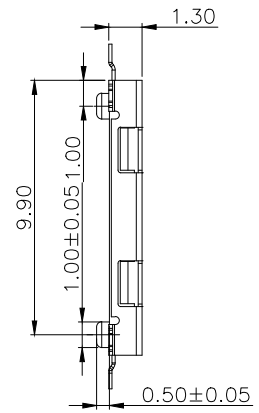
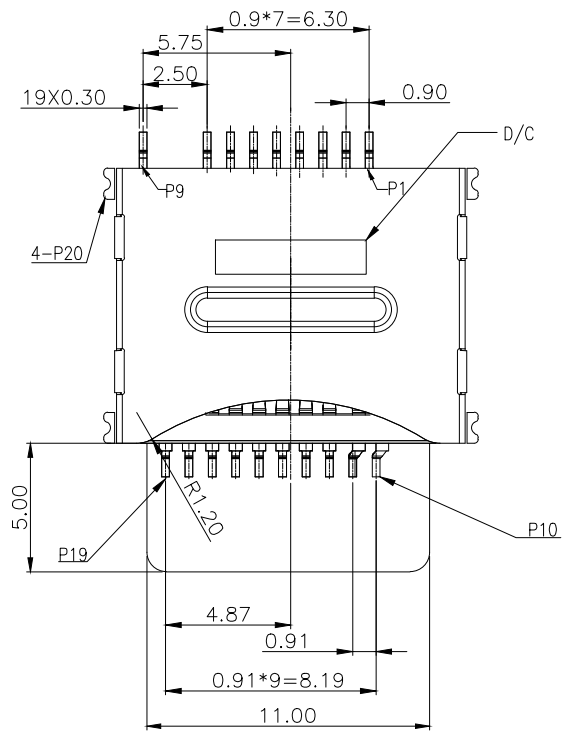


RoHS Compliant

REVISIONS			
REV.	DESCRIPTION	DATE	DESIGN



NOTES:
 (1)MATERIAL:
 1-1.PLASTIC: LCP,THERMOPLASTIC UL 94V-0 COLOR:BLACK
 1-2.CONTACT:COPPEER ALLOY C5210-H T=0.12mm
 1-3.SHELL:BASS C2680 T=0.15mm
 (2)PLATING:
 2-1.CONTACT:
 2-1-1.CONTACT AREA: Au G/F PLATING OVER Ni
 2-1-2.SOLDERTAIL AREA:MATTE TIN 80~100u" OVER Ni
 2-2.SHELL:
 2-2-1.SOLDERABLE Ni PLATING OVER ALL
 (3)CONTACT AND TAIL COPLANARITY TO BE 0.10mm MAX

PART NO. INFORMATION
SD - 19 X X 5 R - 006
 19:19P
 CONTACT PLATED
 1: GOLD FLASH 2: GOLD 3U"
 3: GOLD 5U" 4: GOLD 10U"
 5: GOLD 15U" 6: GOLD 30U"
 HOUSING MATERIAL
 A: LCP B: PBT
 C: PA9T D: PA6T
 E: PA46 F: PA66
 PACKAGE
 R: TAPE REEL
 HOUSING COLOR
 2: WHITE
 5: BLACK
 9: NATURE

Bestcreate Technology Limited

TOLERANCES UNLESS OTHERWISE SPECIFIED:			
.X	± 0.38	X.*	± 4"
.XX	± 0.25	.X*	± 2"
.XXX	± 0.15	.XX*	± 1"

Website:www.bsc-elec.com
 Email:bestcreate@bsc-elec.com

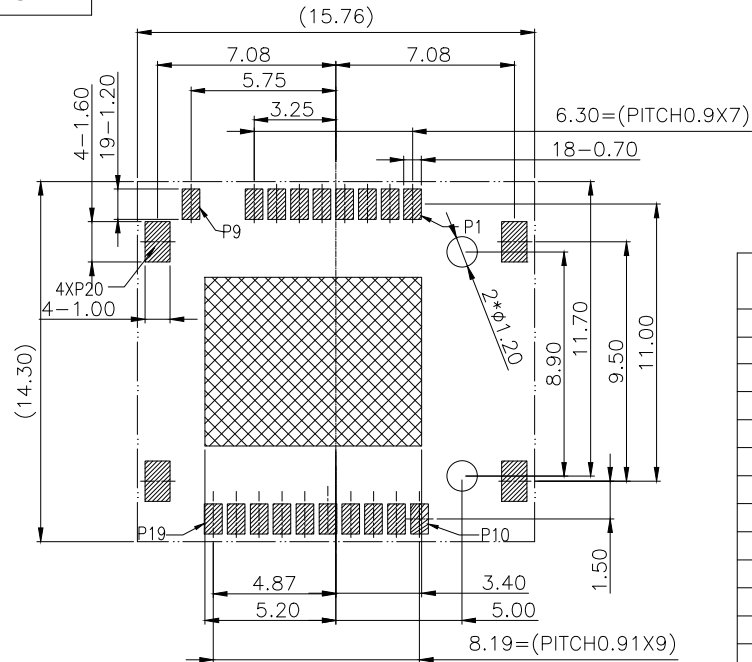
DESIGN:	DATE:
I.L	2017.3.1
CHECKED:	DATE:
C.W	2017.3.1
APPROVED:	DATE:
C.W	2017.3.1

TITLE:	Micro SD4.0+Micro SD2.0+UFS,H=1.30	
MATERILA:	PART NO:	SIZE:
	SD-19XX5R-006	A4
FINSH:	DWG NO:	
	SD-19XX5R-006	

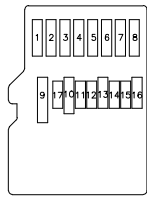
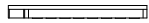
REV:	UNIT	SCALE	QUALITY SYMBOLS
A	mm	1=1	

RoHS Compliant

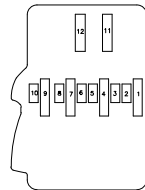
REVISIONS			
REV.	DESCRIPTION	DATE	DESIGN



- PAD AREA
- VIA AND TRACE KEEPOUT AREA
- OTHER COMPONENT KEEPOUT AREA



Micro SD 4.0 CARD



UFS CARD

Pin Define

Connector PinNo.	MicroSD 4.0 Card Pin No.	Micro SD with UHS-II and SWIO support			UFS Card	
		Name	Type	Description	Card Pin No.	Name
P1	P1	DAT2	I/O	Data Line[Bit 2]		
P2	P2	CD/DAT3	I/O	Card Detect/Data Line[Bit 3]		
P3	P3	CMD	I/O	Command/Response		
P4	P4	V _{DD1}	S	Supply voltage(3.3V)	P12	VCC
P5	P5	CLK	I	Clock		
P6	P6	V _{SS}	S	Supply voltage ground	P11	VSS
P7	P7	DAT0/RCLK+	I/O	Data Line[Bit 0]/RCLK+		
P8	P8	DAT1/RCLK-	I/O	Data Line[Bit 1]/RCLK-		
P9		CD				CD
P10					P10	C/D(GND)
P11	P9	V _{DD2}	S	Supply voltage(1.8V)	P9	VCCQ2
P12	P17	SWIO	I	Single Wire Protocol Interface	P8	REF_CLK
P13	P10	V _{SS}	S	Supply voltage ground	P7	VSS
P14	P11	D0+	I/O	UHS-II D0+	P6	DOUT_T
P15	P12	D0-	I/O	UHS-II D0-	P5	DOUT_C
P16	P13	V _{SS}	S	Supply voltage ground	P4	VSS
P17	P14	D1-	I/O	UHS-II D1-	P3	DIN_T
P18	P15	D1+	I/O	UHS-II D1+	P2	DIN_C
P19	P16	V _{SS}	S	Supply voltage ground	P1	VSS
P20	GND		GROUND		GND	GROUND

Bestcreate Technology Limited

TOLERANCES UNLESS OTHERWISE SPECIFIED:

.X	± 0.38	X'	± 4'
.XX	± 0.25	.X''	± 2'
.XXX	± 0.15	.XX''	± 1'

Website:www.bsc-elec.com
Email:bestcreate@bsc-elec.com

DESIGN: I.L DATE: 2017.3.1

CHECKED: C.W DATE: 2017.3.1

APPROVED: C.W DATE: 2017.3.1

TITLE: Micro SD4.0+Micro SD2.0+UFS,H=1.30

MATERILA: PART NO: SD-19XX5R-006 SIZE: A4

FINSH: DWG NO: SD-19XX5R-006

REV: A UNIT mm SCALE 1=1 QUALITY SYMBOLS