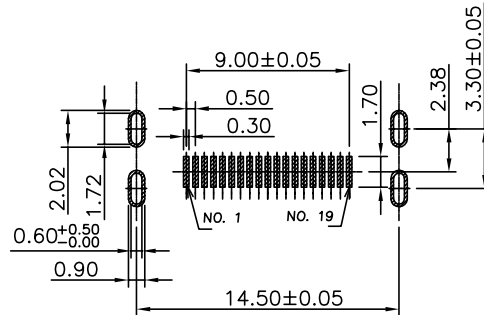
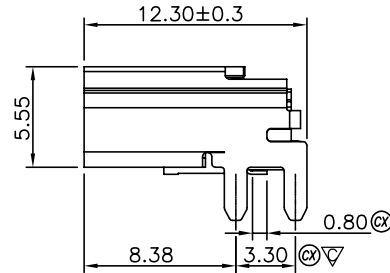
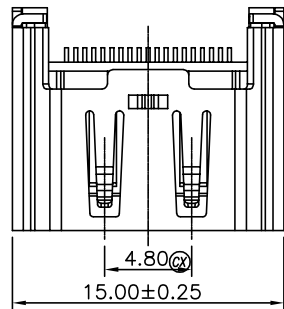
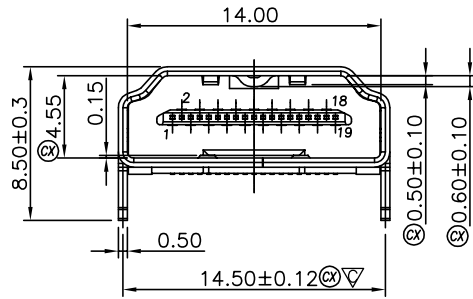
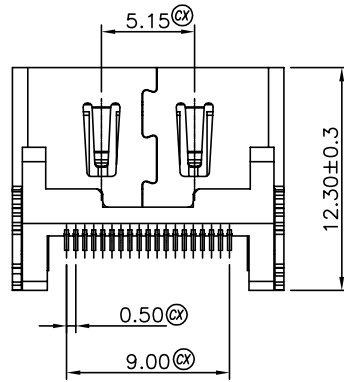


RoHS Compliant

REVISIONS			
REV.	DESCRIPTION	DATE	DESIGN



**SPECIFICATIONS:**

Contact current Rating:  
1.5 Amperes

Dielectric Withstanding Voltage:AC 150V(RMS)  
Insulation resistance:1000Megohms Minimum.

**Contact Resistance:**

30 m Ohms Max  
50 m Ohms Max for other contacts

**Mechanical Characteristics:**

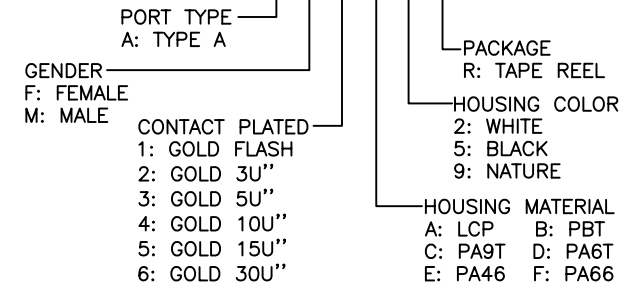
Mating Force:45 Newtoms.Maximum  
Unmating Force:10 Newtoms.Minimum.

**FINISH:**

CONTACT:0.8u" GOLD/TIN PLATING ON CONTACT AREA  
80u"MIN. TIN PLATING ON SOLDER TAILS  
30u" MIN. NICKEL UNDERPLATING OVER ALL  
SHELL:80u" MIN. NICKEL PLATING ON SOLDER TAILS

**PART NO. INFORMATION**

**HD01-A F X X 5 R - 005**



ITEM	NAME	Q'TY	MATERIAL / PLATING
C	SHELL	1	C2680R-H T=0.50 Contact Plating Au,Solder Area Ni
B	CONTACT	19	CS1910R-H T=0.20 Contact Plating Au,Solder Area Matte-tin
A	HOUSING	1	LCP +30%G.F. BLACK UL94V-0

**Bestcreate Technology Limited**

**TOLERANCES UNLESS OTHERWISE SPECIFIED:**

XX.	± 0.30	X."	± 2"
.XX	± 0.25	.X"	± 1"
.XXX	± 0.10	.XX"	± 0.5"

Tel/Whatsapp:0086-13712299763  
Skype: belle.wu3340

DESIGN: I. L DATE: 2017. 3. 1

CHECKED: C. W DATE: 2017. 3. 1

APPROVED: C. W DATE: 2017. 3. 1

TITLE: HDMI A TYPE FEMALE REVERSIBLE

MATERIA: HD01-AFXX5R-005 PART NO: HD01-AFXX5R-005 SIZE: A4

FINSH: HD01-AFXX5R-005 DWG NO: HD01-AFXX5R-005

REV:	UNIT	SCALE	QUALITY SYMBOLS
A	mm	1=1	

1

2

3

4

5

6

7

8