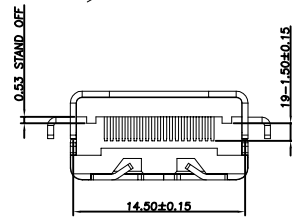
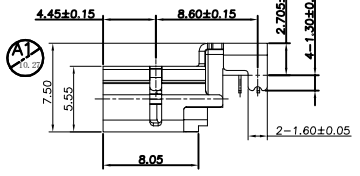
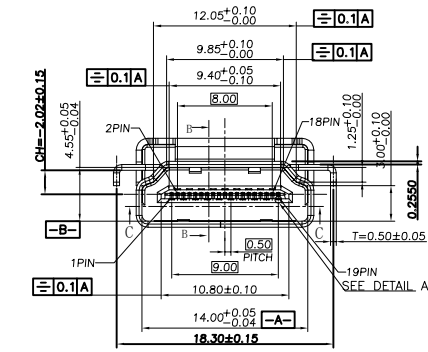
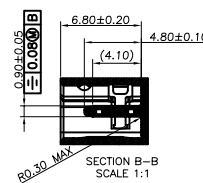
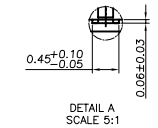
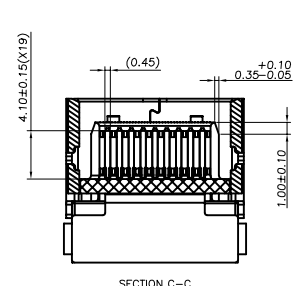
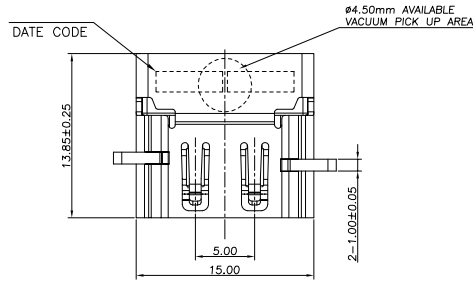
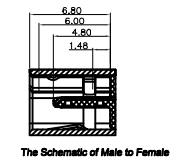
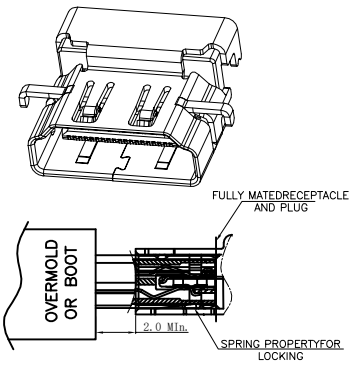


RoHS Compliant

| REVISIONS | | | |
|-----------|-------------|------|--------|
| REV. | DESCRIPTION | DATE | DESIGN |
| | | | |

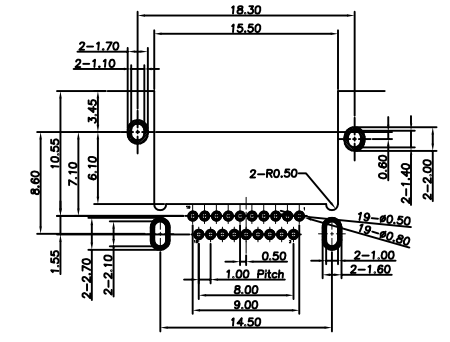


- NOTES:
- MATERIAL:
 - INSULATOR:LCP E130I WITH 30% G/F UL 94V-0 COLOR:BLACK
 - CONTACT:BRASS C2680 T=0.20MM
 - SHELL:STAINLESS STEEL 304 T=0.5MM
 - ELECTRICAL CHARACTERISTIC:
 - LOW LEVEL CONTACT RESISTANCE:30m MAXIMUM.
 - DIELECTIC WITHSTANDING VOLTAGE:
 - 500 VAC BETWEEN ADJACENT TERMINAL OR GROUND, No Breakdown
 - 300 VAC BETWEEN ADJACENT TERMINAL OR GROUND, No Breakdown
 - INSULATION RESISTANCE:100M MINIMUM(Unmated), 10M MINIMUM(Mated).
 - MECHANICAL CHARACTERISTIC:
 - INSERTION FORCE:44.1N(4.5kgf)MAXIMUM.
 - EXTRACTION FORCE:
 - INITIAL:9.8N(1.0kgf)-39.2N(4.0kgf).
 - AFTER 2001 TO 10000 CYCLES:4.9N(0.5kgf)-39.2N(4.0kgf).
 - PLATING SPECIFICATION:
 - CONTACTS:NI 50u" MIN. UNDER PLATED, GOLD FLASH PLATED ON THE MATING AREA OF CONTACT.
 - MATTE Sn 80u"-100u" MIN. PLATED ON THE SOLDER TALL.
 - FRONT SHELL:NI 50u" MIN. UNDER PLATED OVER ALL.
 - SALT SPRAY TEST:REACH 48H
 - RoHS2+HF



| PIN | SIGNAL ASSIGNMENT | PIN | SIGNAL ASSIGNMENT | PIN | SIGNAL ASSIGNMENT |
|-----|-------------------|-----|--------------------|-----|-------------------|
| 1 | TMDS DATA2+ | 8 | TMDS DATA2 SHIELD | 15 | SCL |
| 2 | TMDS DATA2 SHIELD | 9 | TMDS DATA- | 16 | SDA |
| 3 | TMDS DATA- | 10 | TMDS CLOCK+ | 17 | DRC/CEC GROUND |
| 4 | TMDS DATA1+ | 11 | TMDS CLOCK+ SHIELD | 18 | +5V POWER |
| 5 | TMDS DATA1 SHIELD | 12 | TMDS CLOCK- | 19 | HOT PLUG DETECT |
| 6 | TMDS DATA1- | 13 | CEC | | |
| 7 | TMDS DATA+ | 14 | UNDEF/RESV | | |

| | | | |
|----|-----------|-----|-----------------------------|
| C | SHELL | 1 | MATAL/SEE TABLE A |
| B | TERMINAL | 19 | COPPER YELLOW/SEE TABLE A |
| A | HOUSING | 1 | HTERNOPLASTIC UL94V-0 BLACK |
| NO | PART NAME | QTY | MATERIAL PLATING & COLOR |



RECOMMENDED PCB THICKNESS:1.00±0.05
COMPONENT SIDE(TOL:±0.05)

PART NO. INFORMATION
HD01-A F X X 5 R - 028

PORT TYPE
A: TYPE A

GENDER
F: FEMALE
M: MALE

CONTACT PLATED
1: GOLD FLASH
2: GOLD 3U"
3: GOLD 5U"
4: GOLD 10U"
5: GOLD 15U"
6: GOLD 30U"

PACKAGE
R: TAPE REEL

HOUSING COLOR
2: WHITE
5: BLACK
9: NATURE

HOUSING MATERIAL
A: LCP B: PBT
C: PA9T D: PA6T
E: PA46 F: PA66

Bestcreate Technology Limited

TOLERANCES UNLESS OTHERWISE SPECIFIED:

| | | | |
|-----|--------|------|------|
| X. | ± 0.50 | X.* | ± 3* |
| .X | ± 0.30 | .X* | ± 2* |
| .XX | ± 0.20 | .XX* | ± 1* |

Tel/Whatsapp: 0086-13712299763
 Skype: belle.wu3340

DESIGN: I. L
DATE: 2017. 3. 1

CHECKED: C. W
DATE: 2017. 3. 1

APPROVED: C. W
DATE: 2017. 3. 1

TITLE: HDMI A TYPE 19PIN H=7.63MM, CH=-2.02MM, L=13.85MM REC RVS DIP TYPE

| | | |
|------------------|---------------------------------|-----------------|
| MATERILA: | PART NO: HD01-AFXX5R-028 | SIZE: A4 |
| FINSH: | DWG NO: HD01-AFXX5R-028 | |

| | | | |
|--------|----------|------------|-----------------|
| REV: A | UNIT: mm | SCALE: 1=1 | QUALITY SYMBOLS |
|--------|----------|------------|-----------------|