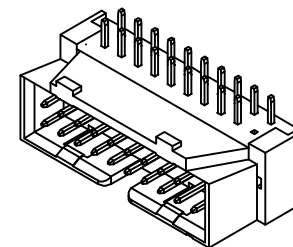
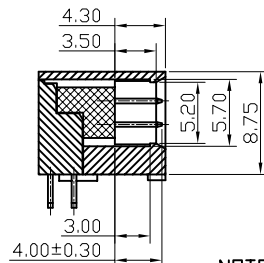
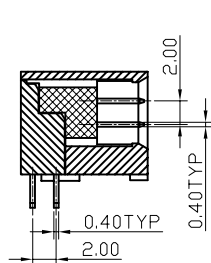
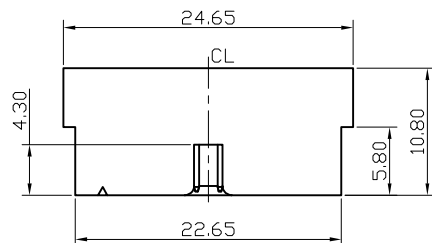


RoHS Compliant

REVISIONS			
REV.	DESCRIPTION	DATE	DESIGN

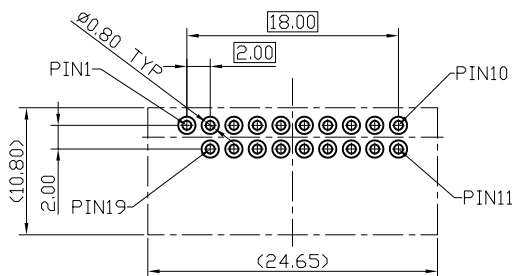
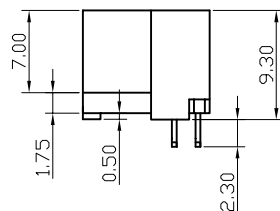
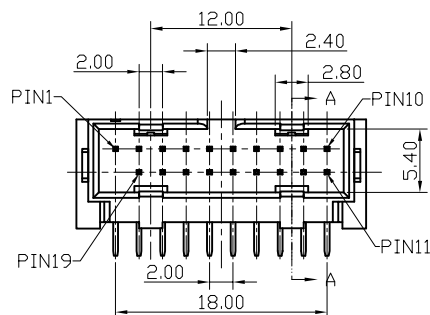


SECTION A-A

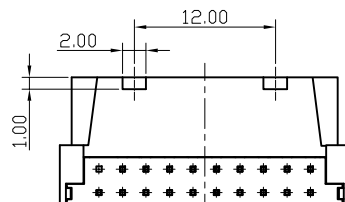
SECTION A-A

NOTES:

- MATERIAL SPECIFICATION:
 - 1-HOUSING: PA6T,UL94-V0
 - 1-2.CONTACTS: BRASS
- PLATING SPECIFICATION:
 - 2-1.NI 50μ*MIN. UNDER PLATED OVER ALL.
 - 2-2.Au PLATING ON CONTACT AREA.
 - 2-3.TIN 100μ*MIN PLATING ON CONTACT SOLDER
- MECHANICAL PERFORMANCE:
 - 3-1.INSERTION FORCE: 35N MAX.
 - 3-2.REMOVAL FORCE: 15N MIN.
- ELECTRICAL PERFORMANCE:
 - 4-1.CURRENT RATING: 1A/PIN MIN EXCEPT THAT VBUS PIN IS 1.5A
 - 4-2.LLCR: INITIAL 30mΩ OF A MATED CONNECTOR
LLCR MAX. CHANGE OF ALL PINS 20mΩ
IMPEDANCE: 78-105Ω DURING 50PS WITH TDR.
 - 4-3.INSULATION RESISTANCE: 100MΩ MIN.
 - 4-4.DIELECRIC WITHSTAND VOLTAGE: AC 500V FOR 1 MINUTE.
- ENVIRONMENT COMPLIANT& COLOR REFER TO TABLE.



RECOMMENDED PCB LAYOUT
PCB THICKNESS IS 1.60mm
DEFAULT TOLERANCE ±0.05



PART NO. INFORMATION

BH01 - M X D X X - 0001

- GENDER: F: FEMALE, M: MALE
- CONTACT PLATED: 1: GOLD FLASH, 2: GOLD 3U'', 3: GOLD 5U'', 4: GOLD 10U'', 5: GOLD 15U'', 6: GOLD 30U''
- PACKAGE: T: TRAY, R: TAPE REEL
- HOUSING COLOR: 2: WHITE, 5: BLACK, 9: BLUE
- HOUSING MATERIAL: A: LCP, B: PBT, C: PA9T, D: PA6T, E: PA46, F: PA66

Bestcreate Technology Limited

TOLERANCES UNLESS OTHERWISE SPECIFIED:

X.	± 0.30	X.*	± 3'
.X	± 0.20	.X*	± 2'
.XX	± 0.15	.XX*	± 1'

Website: www.bsc-elec.com
E-mail: bestcreate@bsc-elec.com

DESIGN: I. L DATE: 2017.3.1

CHECKED: C. W DATE: 2017.3.1

APPROVED: C. W DATE: 2017.3.1

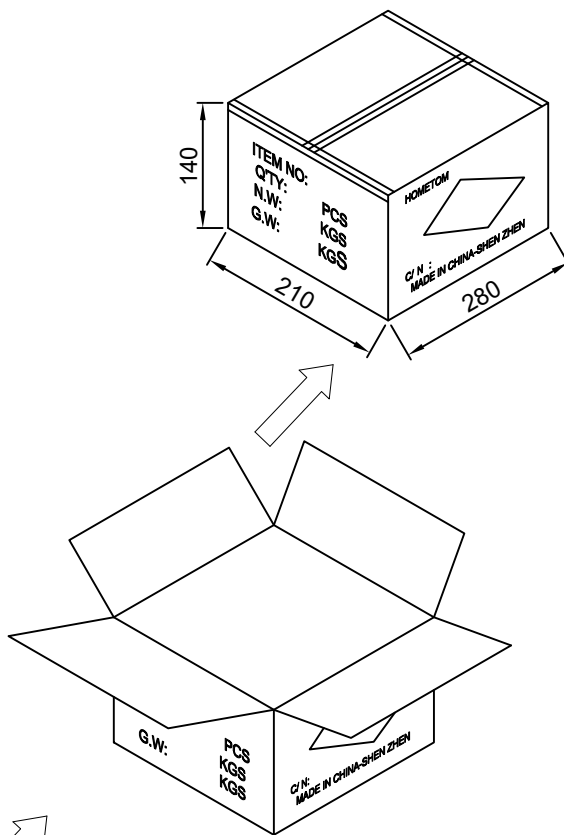
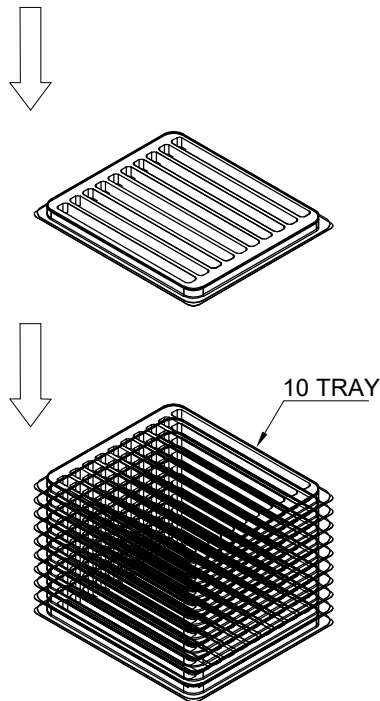
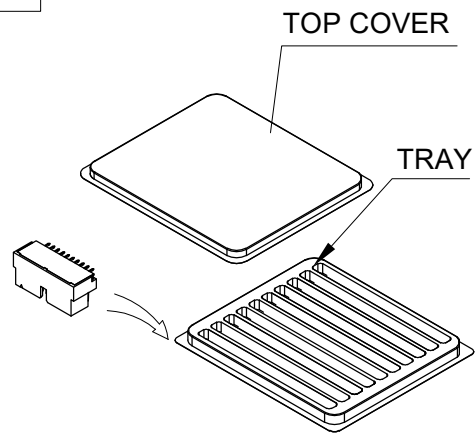
TITLE: BOX HEADER 3.0 MALE DIP TYPE 90D

MATERILA: PART NO: BH01-MXDXX-0001 SIZE: A4

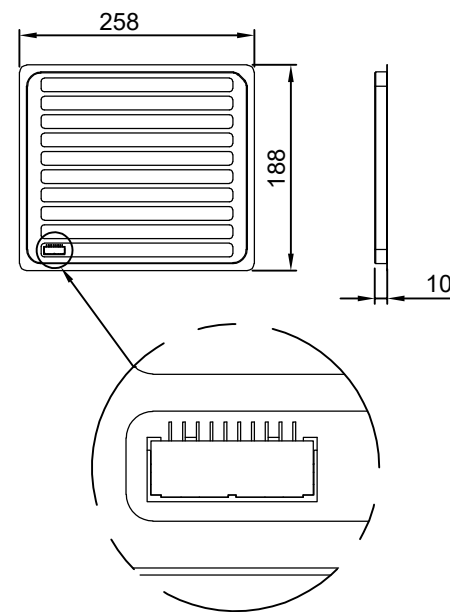
FINISH: DWG NO: BH01-MXDXX-0001 SHEET: 1 OF 2

REV: A UNIT mm SCALE 1=1 QUALITY SYMBOLS

RoHS Compliant



REVISIONS			
REV.	DESCRIPTION	DATE	DESIGN



NOTE :

1.DIMENSION:
 CARTON:L=280mm,W=210mm,H=140mm
 TRAY:L=258mm,W=188mm,H=10mm

2.QUANTITY:
 90PCS/ TRAY
 10 TRAY/ CARTON
 900 PCS/ CARTON

Bestcreate Technology Limited

TOLERANCES UNLESS OTHERWISE SPECIFIED:

X.	± 0.30	X.*	± 3*
.X	± 0.20	.X*	± 2*
.XX	± 0.15	.XX*	± 1*

Website: www.bsc-elec.com
 E-mail: bestcreate@bsc-elec.com

DESIGN: I. L DATE: 2017. 3. 1
 CHECKED: C. W DATE: 2017. 3. 1
 APPROVED: C. W DATE: 2017. 3. 1

TITLE: BOX HEADER 3.0 MALE DIP TYPE 90D
 MATERIAL: PART NO: BH01-MXDXX-0001 SIZE: A4
 FINISH: DWG NO: BH01-MXDXX-0001 SHEET: 2 OF 2

REV: A UNIT: mm SCALE: 1=1 QUALITY SYMBOLS: