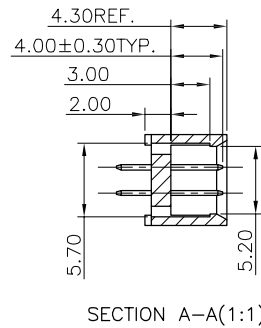
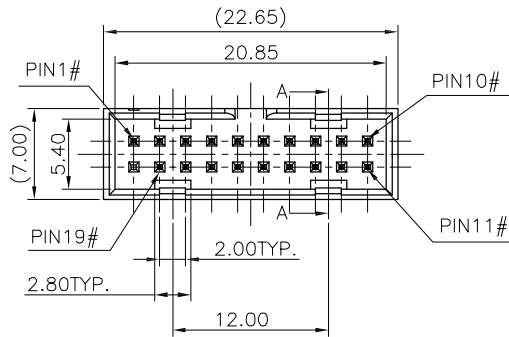
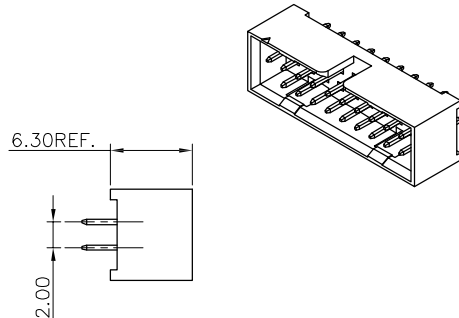
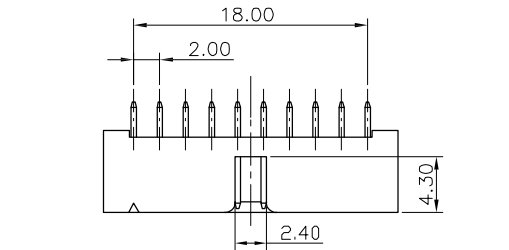
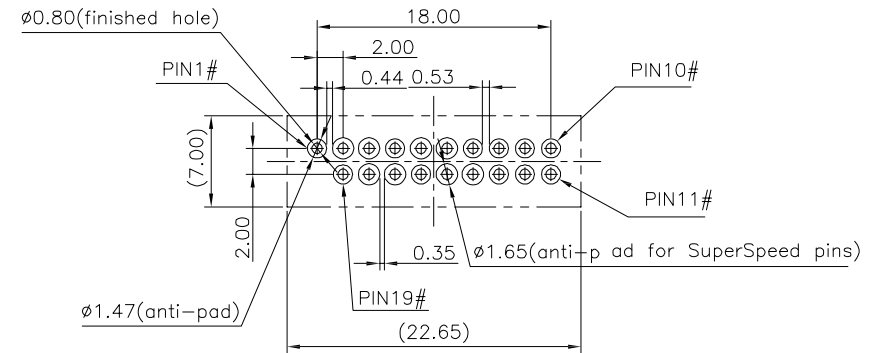


RoHS Compliant

REVISIONS			
REV.	DESCRIPTION	DATE	DESIGN



- NOTES:
- MATERIAL SPECIFICATION:
    - 1-1.HOUSING: PA6T,UL94-V0
    - 1-2.CONTACTS: BRASS
  - PLATING SPECIFICATION:
    - 1-1.Ni 50u" MIN. UNDERPLATED OVER ALL.
    - 1-2.Au UNDERPLATED OVER ALL.
  - MECHANICAL PERFORMANCE:
    - 3-1.INSERTION FORCE: 35N MAX.
    - 3-2.REMOVAL FORCE: 15N MIN.
  - ELECTRICAL PERFORMANCE:
    - 4-1.CURRENT RATING: 0.5A/PIN MIN EXCEPT THAT VBUS PIN IS 1.5A.
    - 4-2.LLCR: INITIAL 30 mΩ OF A MATED CONNECTOR, LLCR MAX. CHANGE OF ALL PINS 20 mΩ . IMPEDANCE: 78~105Ω DURING 50PS WITH TDR.
    - 4-3.INSULATION RESISTANCE: 100MΩ MIN.
    - 4-4.DIELECTRIC WITHSTAND VOLTAGE: AC 500V FOR 1 MINUTE.
  - ENVIRONMENT COMPLIANT & COLOR REFER TO TABLE.



PART NO. INFORMATION

**BH01 - M X D X X - 0002**

GENDER  
F: FEMALE  
M: MALE

CONTACT PLATED  
1: GOLD FLASH  
2: GOLD 3U"  
3: GOLD 5U"  
4: GOLD 10U"  
5: GOLD 15U"  
6: GOLD 30U"

PACKAGE  
T: TRAY R:TAPE REEL

HOUSING COLOR  
2: WHITE  
5: BLACK  
9: BLUE

HOUSING MATERIAL  
A: LCP B: PBT  
C: PA9T D: PA6T  
E: PA46 F: PA66

RECOMMENDED PCB LAYOUT  
PCB THICKNESS IS 1.60mm  
DEFAULT TOLERANCE ±0.05

**Bestcreate Technology Limited**

TOLERANCES UNLESS OTHERWISE SPECIFIED:

X.	± 0.30	X.*	± 3'
.X	± 0.20	.X.*	± 2'
.XX	± 0.15	.XX.*	± 1'

Website: [www.bsc-elec.com](http://www.bsc-elec.com)

E-mail: [bestcreate@bsc-elec.com](mailto:bestcreate@bsc-elec.com)

DESIGN: I. L DATE: 2017. 3. 1

CHECKED: C. W DATE: 2017. 3. 1

APPROVED: C. W DATE: 2017. 3. 1

TITLE: BOX HEADER 3.0 MALE DIP TYPE 180D

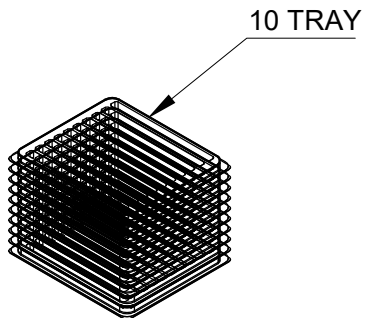
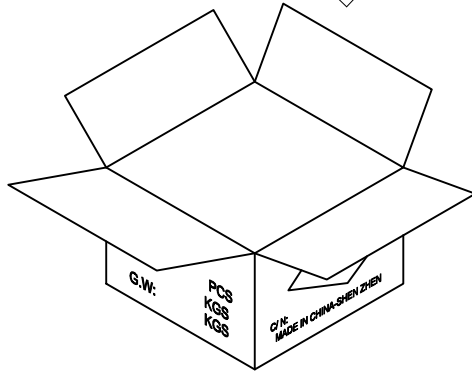
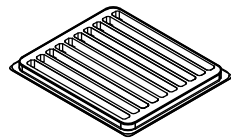
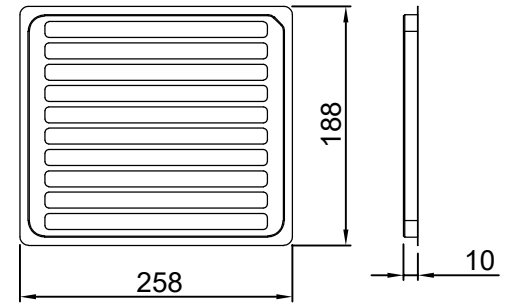
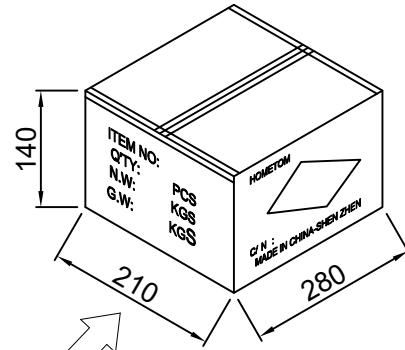
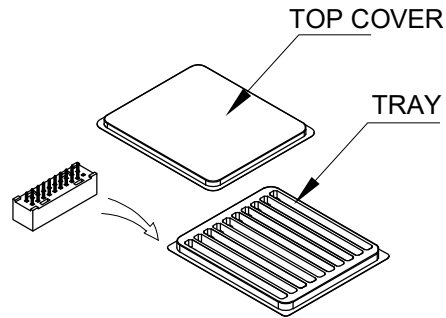
MATERIAL: PART NO: BH01-MXDXX-0002 SIZE: A4

FINISH: DWG NO: BH01-MXDXX-0002 SHEET: 1 OF 2

REV:	UNIT	SCALE	QUALITY SYMBOLS
A	mm	1=1	

RoHS Compliant

REVISIONS			
REV.	DESCRIPTION	DATE	DESIGN



NOTE :  
 1.DIMENSION :  
 CARTON:  
 L=280mm, W=210mm, H=140mm  
 2.QUANTITY:  
 180PCS/ TRAY  
 10 TRAY/ CARTON  
 1800 PCS/ CARTON

**Bestcreate Technology Limited**

TOLERANCES UNLESS OTHERWISE SPECIFIED:			
X.	± 0.30	X.'	± 3'
.X	± 0.20	.X"	± 2"
.XX	± 0.15	.XX"	± 1"

Website: [www.bsc-elec.com](http://www.bsc-elec.com)  
 E-mail: [bestcreate@bsc-elec.com](mailto:bestcreate@bsc-elec.com)

DESIGN:	DATE:
I. L	2017. 3. 1
CHECKED:	DATE:
C. W	2017. 3. 1
APPROVED:	DATE:
C. W	2017. 3. 1

TITLE:		
BOX HEADER 3.0 MALE DIP TYPE 180D		
MATERILA:	PART NO:	SIZE:
	BH01-MXDXX-0002	A4
FINSH:	DWG NO:	SHEET:
	BH01-MXDXX-0002	2 OF 2

REV: A	UNIT mm	SCALE 1=1	QUALITY SYMBOLS
--------	---------	-----------	-----------------