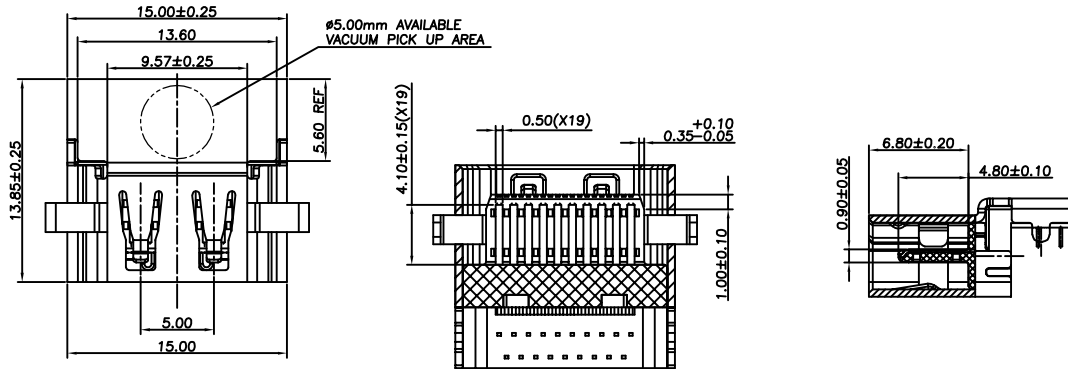
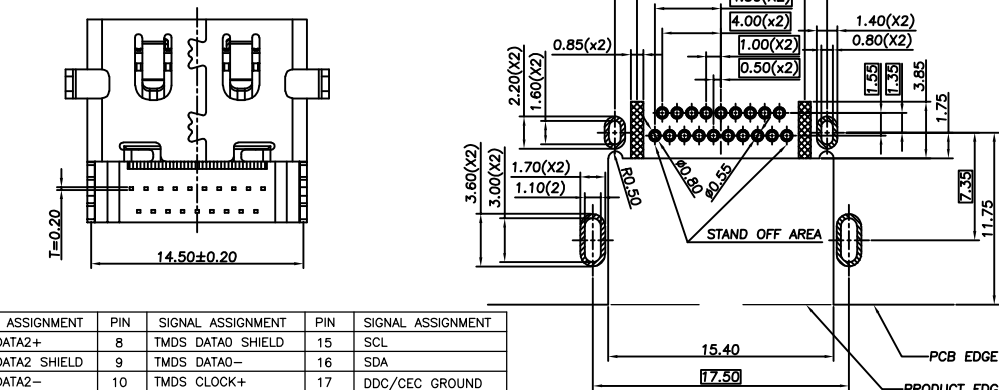
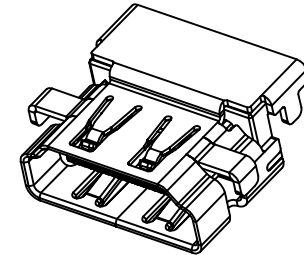
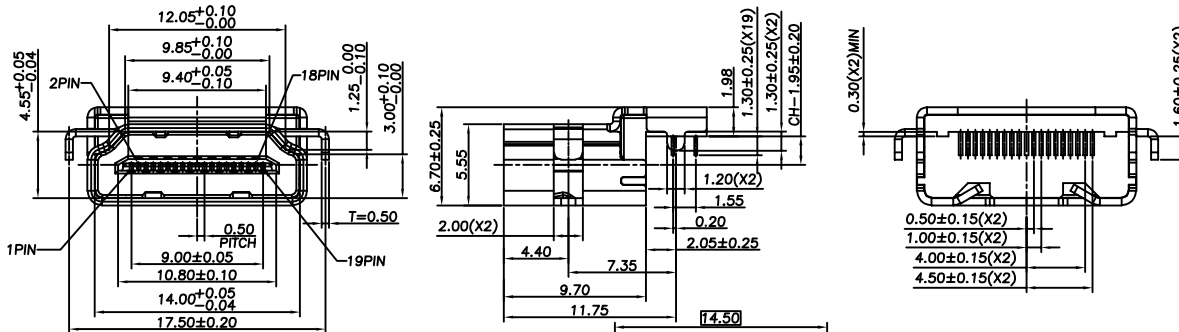


**RoHS Compliant**

REVISIONS			
REV.	DESCRIPTION	DATE	DESIGN



- NOTES:
- ELECTRICAL CHARACTERISTIC:
    - LOW LEVEL CONTACT RESISTANCE:50mΩ MAXIMUM.
    - DIELECTRIC WITHSTANDING VOLTAGE:
      - 500 VAC BETWEEN ADJACENT TERMINAL OR GROUND,No Breakdown
      - 300 VAC BETWEEN ADJACENT TERMINAL OR GROUND,No Breakdown
    - INSULATION RESISTANCE:100MΩ MINIMUM(Unmated).  
10MΩ MINIMUM(Mated).
  - MECHANICAL CHARACTERISTIC:
    - INSERTION FORCE:44.1N(4.5kgf)MAXIMUM.
    - EXTRACTION FORCE:
      - INITIAL:9.8N(1.0kgf)–39.2N(4.0kgf).
      - AFTER 2001 TO 10000 CYCLES:4.9N(0.5kgf)–39.2N(4.0kgf).
  - PLATING SPECIFICATION:
    - CONTACTS:NI 50u" MIN. UNDER PLATED,GOLD FLASH PLATED ON THE MATING AREA OF CONTACT.  
MATTE Sn 80u"–100u" MIN. PLATED ON THE SOLDER TALL.
    - FRONT SHELL:NI 50u"MIN. UNDER PLATED OVER ALL.



**PART NO. INFORMATION**

**HD01-A F X X 5 R - 023**

- PORT TYPE**  
A: TYPE A
- GENDER**  
F: FEMALE  
M: MALE
- PACKAGE**  
R: TAPE REEL
- HOUSING COLOR**  
2: WHITE  
5: BLACK  
9: NATURE
- CONTACT PLATED**  
1: GOLD FLASH  
2: GOLD 3U"  
3: GOLD 5U"  
4: GOLD 10U"  
5: GOLD 15U"  
6: GOLD 30U"
- HOUSING MATERIAL**  
A: LCP B: PBT  
C: PA9T D: PA6T  
E: PA46 F: PA66

PIN	SIGNAL ASSIGNMENT	PIN	SIGNAL ASSIGNMENT	PIN	SIGNAL ASSIGNMENT
1	TMDS DATA2+	8	TMDS DATA0 SHIELD	15	SCL
2	TMDS DATA2 SHIELD	9	TMDS DATA0+	16	SDA
3	TMDS DATA2-	10	TMDS CLOCK+	17	DDC/CEC GROUND
4	TMDS DATA1+	11	TMDS CLOCK + SHIELD	18	+5V POWER
5	TMDS DATA1 SHIELD	12	TMDS CLOCK-	19	HOT PLUG DETECT
6	TMDS DATA1-	13	CEC		
7	TMDS DATA0+	14	UNIFY/HEAC+		

RECOMMENDED PCB THICKNESS:1.00±0.05  
COMPONENT SIDE(TOL:±0.05)

**Bestcreate Technology Limited**

TOLERANCES UNLESS OTHERWISE SPECIFIED:

X.	± 0.50	X."	± 3'
.X	± 0.30	.X"	± 2'
.XX	± 0.20	.XX"	± 1'

DESIGN: DATE:

I. L. 2017. 3. 1

CHECKED: DATE:

C. W. 2017. 3. 1

APPROVED: DATE:

C. W. 2017. 3. 1

TITLE:  
HDMI A TYPE 19PIN H=6.70 CH=1.95MM,  
REC RVS DIP TYPE

MATERILA: PART NO: HD01-AFXX5R-023 SIZE: A4

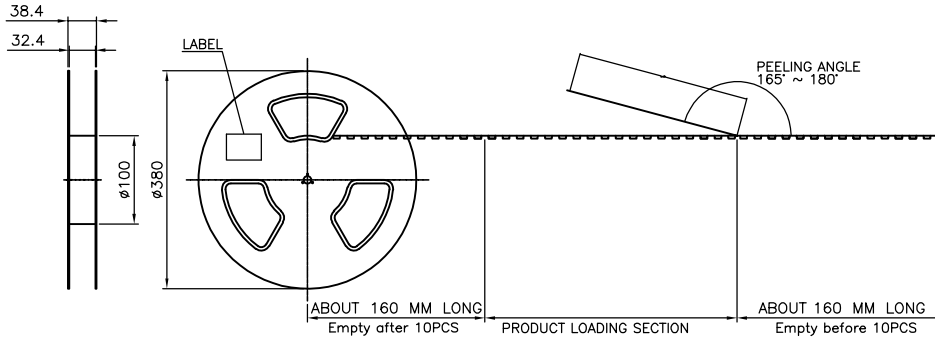
FINSH: DWG NO: HD01-AFXX5R-023

REV: A UNIT mm SCALE 1=1 QUALITY SYMBOLS

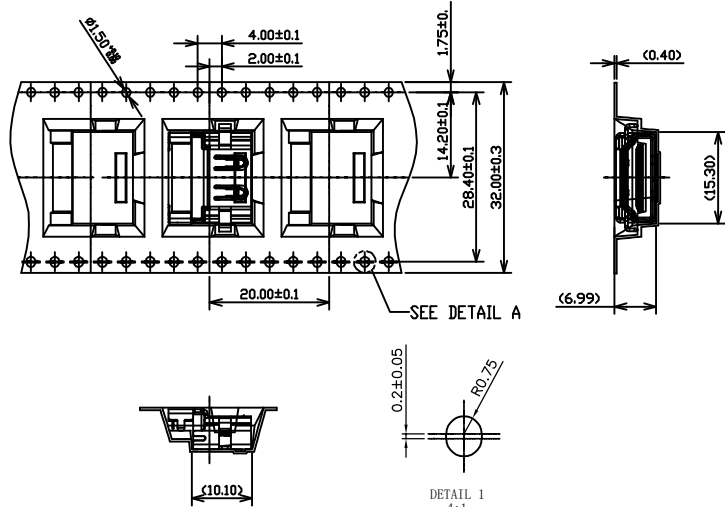
Tel/Whatsapp:0086-13712299763  
Skype: belle.wu3340

RoHS Compliant

REVISIONS			
REV.	DESCRIPTION	DATE	DESIGN

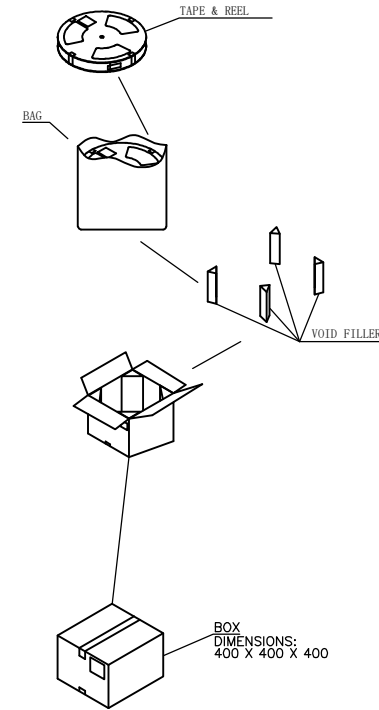


USER DIRECTION OF UNREELING →



NOTE:

- MATERIAL:  
 BOX: FIBREBOARD, CORRUGATED, DOUBLE WALL  
 TAPE: POLYSTYRENES, HEAT-RESISTANT TEMPERATURE: 120°C, Transparent COLOR.  
 REEL: POLYSTYRENES, HEAT-RESISTANT TEMPERATURE: 70°C, BLUE COLOR.  
 BAG: POLYETHYLENE, HEAT-RESISTANT TEMPERATURE: 100°C.
- PEELING STRENGTH: 0.1 ~ 1.3 N (10 ~ 130 GRAMS)
- PEELING SPEED: 300 mm/min.
- EACH BAG SHALL BE INCLUDED DESICCANT.



650	10	6500	-- KG	-- KG
PCS/ REEL	REELS/ CARTON	QUANTITY	GROSS WEIGHT	NET WEIGHT

**Bestcreate Technology Limited**

TOLERANCES UNLESS OTHERWISE SPECIFIED:

X.	± 0.50	X.*	± 3'
.X	± 0.30	.X.*	± 2'
.XX	± 0.20	.XX.*	± 1'

Tel/Whatsapp: 0086-13712299763  
 Skype: belle.wu3340

DESIGN: I. L DATE: 2017. 3. 1

CHECKED: C. W DATE: 2017. 3. 1

APPROVED: C. W DATE: 2017. 3. 1

TITLE: HDMI A TYPE 19PIN H=6.70 CH=1.95MM,  
 REC RVS DIP TYPE

MATERIAL:	PART NO: HD01-AFXX5R-023	SIZE: A4
FINISH:	DWG NO: HD01-AFXX5R-023	

REV: A	UNIT mm	SCALE 1=1	QUALITY SYMBOLS
--------	---------	-----------	-----------------