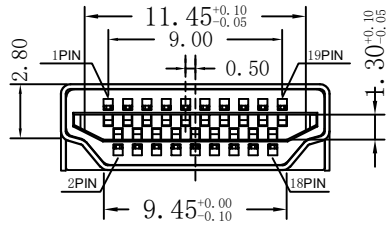


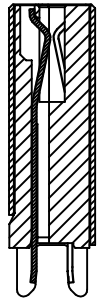
RoHS Compliant

REVISIONS			
REV.	DESCRIPTION	DATE	DESIGN

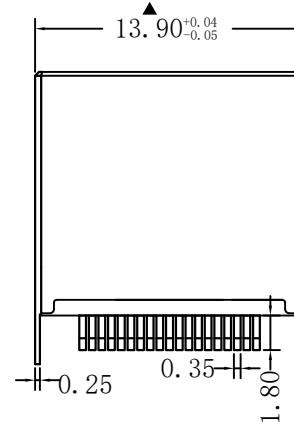
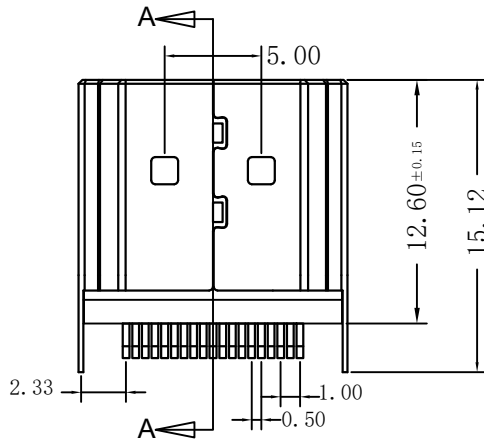


NOTE :

- 1.SPECIFICATION:
  - 1.1.CURRENT RATING: 0.5 Amp Max.
  - 1.2.VOLTAGE RATING: 40 V ac(r.m.s) Max.
  - 1.3.CONTACT RESISTANCE: 10m ohms Max.mated
  - 1.4.INSULATION RESISTANCE:100M ohms Min.
  - 1.5.DIELECTRIC WITHSTANDING VOLTAGE:
    - AC 500V Min. (for 1 minute)
  - 1.6.OPERATION TEMPERATURE RANGE: -25°C~85°C
- 2.MECHANICAL
  - 2.1 INSERTION FORCE:4.5KGF MAXMUM
  - 2.1 WITHDRAWAL FORCE:1.0KGF MINIMUM;4.0KGF MAXMUM



A-A 剖面图



PART NO. INFORMATION

**HD01-A M X X 5 T - 001**

- PORT TYPE  
A: TYPE A
- GENDER  
F: FEMALE  
M: MALE
- CONTACT PLATED  
1: GOLD FLASH  
2: GOLD 3U"  
3: GOLD 5U"  
4: GOLD 10U"  
5: GOLD 15U"  
6: GOLD 30U"
- PACKAGE  
T: TRAY
- HOUSING COLOR  
2: WHITE  
5: BLACK  
9: NATURE
- HOUSING MATERIAL  
A: LCP B: PBT  
C: PA9T D: PA6T  
E: PA46 F: PA66

NOTES:

1. MATERIAL: SHELL:COPPER ALLOY, SPCC. TERMINAL: C5191, HOUSING: LCP.
2. PLATING: SHELL:G/F, TERMINAL:AU 1U.
3. PACKAGE: TRAY.

**Bestcreate Technology Limited**

TOLERANCES UNLESS OTHERWISE SPECIFIED:

X.	± 0.50	X.*	± 3'
.X	± 0.25	.X.*	± 2'
.XX	± 0.15	.XX.*	± 1'

Tel/Whatsapp:0086-13712299763  
Skype: belle.wu3340

DESIGN: I.L DATE: 2017.3.1

CHECKED: C.W DATE: 2017.3.1

APPROVED: C.W DATE: 2017.3.1

TITLE: HDMI A MALE CONNECTOR  
STRADDLE MOUNT 1.6MM

MATERILA:	PART NO: HD01-AMXX5T-001	SIZE: A4
FINSH:	DWG NO: HD01-AMXX5T-001	

REV: A	UNIT mm	SCALE 1=1	QUALITY SYMBOLS
--------	---------	-----------	-----------------