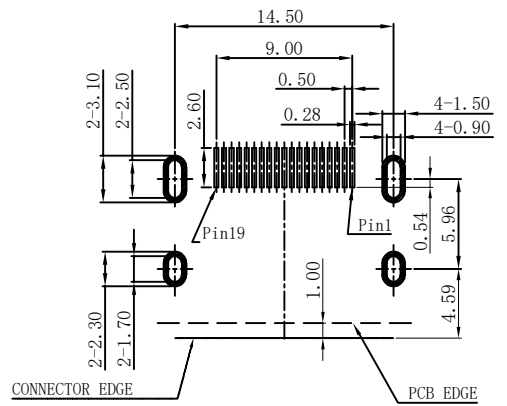
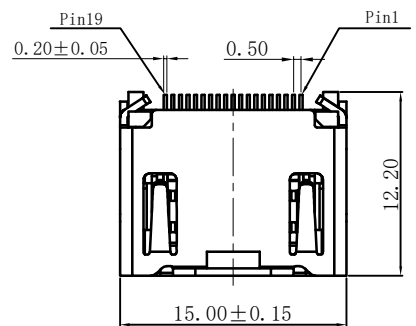
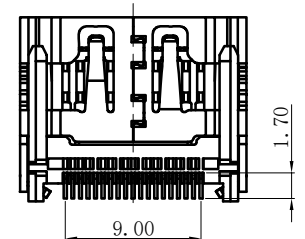
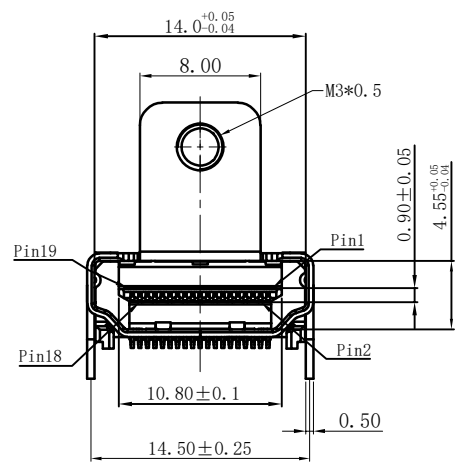
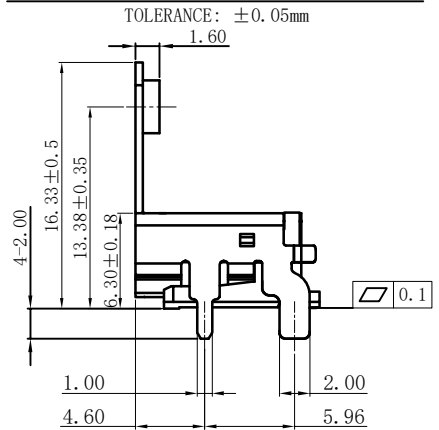


RoHS Compliant

REVISIONS			
REV.	DESCRIPTION	DATE	DESIGN



RECOMMENDED PCB LAYOUT (TOP VIEW)



SPECIFICATIONS:

- ELECTRICAL CHARACTERISTICS
 - CURRENT RATING: 0.5 AMP
 - VOLTAGE RATING: 40 V
 - CONTACT RESISTANCE: 30MILLIOHMS MAX
 - INSULATION RESISTANCE: 100M MIN. @500V DC
 - DIELECTRIC WITHSTANDING VOLTAGE: 500V AC FOR 1 MINUTE
- MECHANICAL CHARACTERISTICS:
 - INSERTION FORCE : 4.5KGF MAX.
 - WITHDRAWING FORCE : 1KGF ~ 4KGF.
- LIFE TEST: 10000 CYCLES
- OPERATING TEMPERATURE: -25° C TO +85° C
- PART NO. DESCRIPTION:

PART NO. INFORMATION

HD01-A F X X 5 X - 033 -V3

PORT TYPE
A: TYPE A

GENDER
F: FEMALE
M: MALE

CONTACT PLATED
1: GOLD FLASH
2: GOLD 3U"
3: GOLD 5U"
4: GOLD 10U"
5: GOLD 15U"
6: GOLD 30U"

PACKAGE
T: TRAY R: TAPE & REEL

HOUSING COLOR
2: WHITE
5: BLACK
9: NATURE

HOUSING MATERIAL
A: LCP B: PBT
C: PA9T D: PA6T
E: PA46 F: PA66

C	SHELL	1	C2680R-H Ni 50u" T=0.5mm PLATING ALL OVER
B	TERMINAL	19	C2680R-H SEE PART NO.
A	HOUSING	1	LCP E130i UL94V-0 BLACK
NO	PART NAME	QTY	MATERIAL PLATING & COLOR

Bestcreate Technology Limited

TOLERANCES UNLESS OTHERWISE SPECIFIED:

.X	± 0.35	.X'	± 3'
.XX	± 0.25	.X''	± 2'
.XXX	± 0.15	.X'''	± 1'

E-mail: bestcreate@bsc-elec.com
Website: www.bsc-elec.com

DESIGN: I.L DATE: 2017.3.1
CHECKED: C.W DATE: 2017.3.1
APPROVED: C.W DATE: 2017.3.1

TITLE: HDMI 2.1VERSION A FEMALE CONNECTOR WITH SCREW SMT TYPE WITH SCREW HEIGHT 13.38

MATERILA:	PART NO:	SIZE:
FINSH:	HD01-AFXX5R-033-V3	A4
	DRG NO:	
	HD01-AFXX5R-033-V3	

REV: A	UNIT mm	SCALE 1=1	QUALITY SYMBOLS
--------	---------	-----------	-----------------