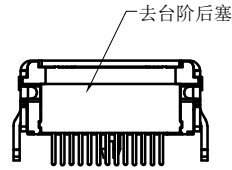
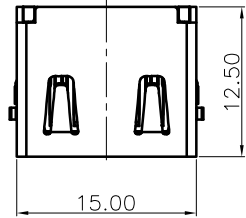


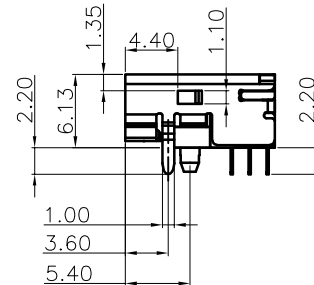
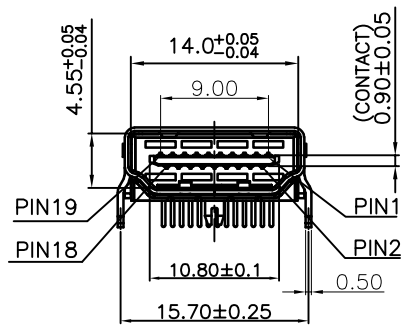
RoHS Compliant

| REVISIONS | | | |
|-----------|-------------|------|--------|
| REV. | DESCRIPTION | DATE | DESIGN |
| | | | |



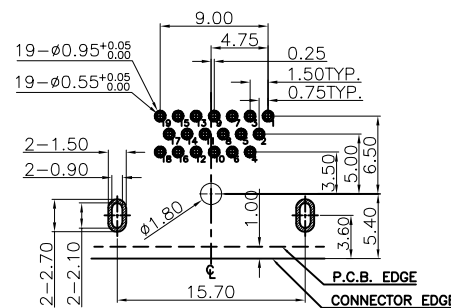
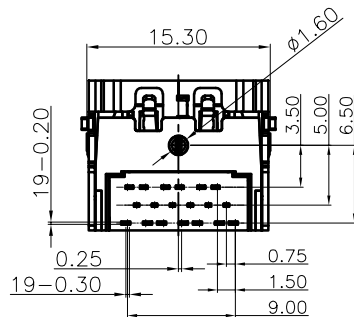
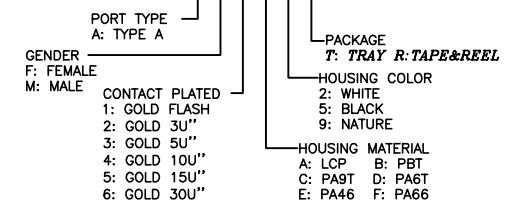
SPECIFICATIONS:

- ELECTRICAL CHARACTERISTICS
 - CURRENT RATING: 0.5 AMP
 - VOLTAGE RATING: 40 V
 - CONTACT RESISTANCE: 30MILLIOHMS MAX
 - INSULATION RESISTANCE: 100M MIN. @ 500V DC
 - DIELECTRIC WITHSTANDING VOLTAGE: 500V AC FOR 1 MINUTE
- MECHANICAL CHARACTERISTICS:
 - INSERTION FORCE : 4.5KGF MAX.
 - WITHDRAWING FORCE : 1KGF ~ 4KGF.
- LIFE TEST: 10000 CYCLES
- OPERATING TEMPERATURE: -25°C TO +85°C
- PART NO. DESCRIPTION:



PART NO. INFORMATION

HD01-A F X X 5 X - 032



RECOMMENDED PCB LAYOUT (TOP VIEW)
TOLERANCE: ±0.05mm

| | | | |
|----|-----------|-----|--|
| D | SHELL | 1 | C2680R-H,Ni 50u" T=0.5mm NI PLATING ALL OVER |
| C | TERMINAL | 19 | C2680R-H,T=0.2mm. |
| B | COVER | 1 | LCP E130i UL94V-0 BLACK |
| A | HOUSING | 1 | LCP E130i UL94V-0 BLACK |
| NO | PART NAME | QTY | MATERIAL PLATING & COLOR |

Bestcreate Technology Limited

TOLERANCES UNLESS OTHERWISE SPECIFIED:

| | | | |
|------|--------|------|------|
| .X | ± 0.35 | X' | ± 3' |
| .XX | ± 0.25 | .X' | ± 2' |
| .XXX | ± 0.15 | .XX' | ± 1' |

E-mail: bestcreate@bsc-elec.com
Website: www.bsc-elec.com

DESIGN: DATE:

I.L 2017.3.1

CHECKED: DATE:

C.W 2017.3.1

APPROVED: DATE:

C.W 2017.3.1

TITLE:

HDMI A FEMALE CONNECTOR 2.1VERSION DIP TYPE

MATERILA:

FINSH:

PART NO:

DWG NO:

HD01-AFXX5X-032

HD01-AFXX5X-032

SIZE: A4

| | | | | | | | | |
|--------|---------|-----------|-----------------|---|--|--|---|----------|
| REV: A | UNIT mm | SCALE 1=1 | QUALITY SYMBOLS | E-mail: bestcreate@bsc-elec.com Website: www.bsc-elec.com | DESIGN: I.L CHECKED: C.W APPROVED: C.W | DATE: 2017.3.1 DATE: 2017.3.1 DATE: 2017.3.1 | TITLE: HDMI A FEMALE CONNECTOR 2.1VERSION DIP TYPE MATERILA: FINSH: PART NO: HD01-AFXX5X-032 DWG NO: HD01-AFXX5X-032 | SIZE: A4 |
|--------|---------|-----------|-----------------|---|--|--|---|----------|