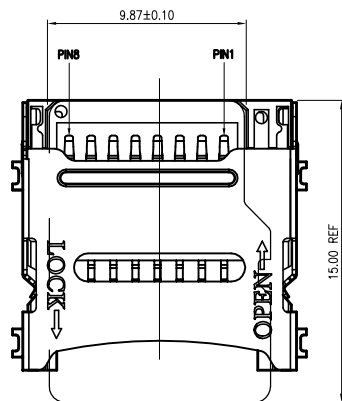
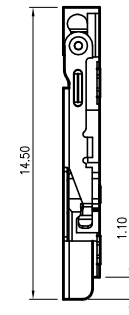
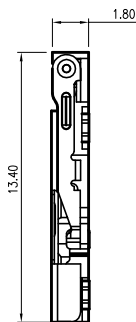


RoHS Compliant

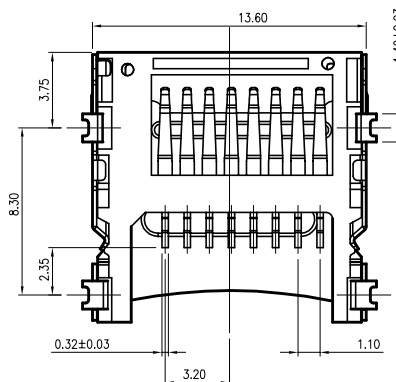
REVISIONS			
REV.	DESCRIPTION	DATE	DESIGN



SLIDE SHELL OPEN



SLIDE SHELL LOCK

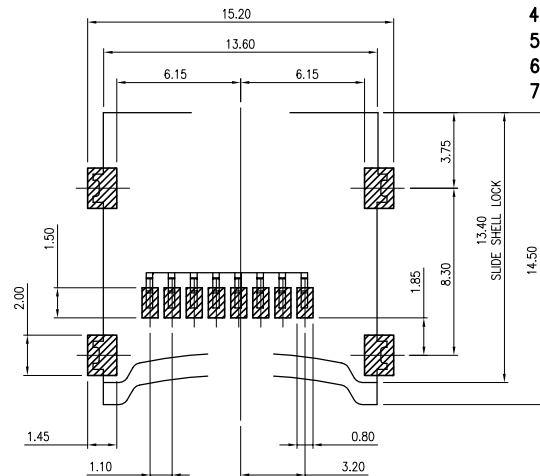
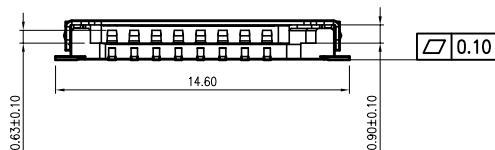


MATERIALS

- HOUSING : THERMOPLASTIC LCP S475+30%GF,UL94 V-0.
- TERMINAL : COPPER ALLOY, C5191R-EH,T=0.15mm.
PLATING : 1u"AU PLATED ON CONTACT AREA,
80u"~120u" PLATED ON SOLDER TAILS,
50U"~80U" NICKEL PLATED OVERALL.
- SHELL : SUS201-1/2H ,T=0.20mm.
- SOLDER : C2680-EH ,T=0.15mm.
PLATING :80u"~120u" PLATED ON SOLDER TAILS,
50U"~80U" NICKEL PLATED OVERALL.

SPECIFICATION

- CURRENT RATING : 0.5 A. MAX.
- VOLTAGE RATING:5V.
- DIELECTRIC WITHSTANDING VOLTAGE :
250V AC R.M.S. FOR 1 MINUTE.
- INSULATION RESISTANCE : 500MQ MIN.AT 5V DC.
- CONTACT RESISTANCE : 100mΩ MAX.
- OPERATING TEMPERATURE : -20°C TO +85°C.
- DURABILITY:5000 CYCLES.



RECOMMEND PCB LAYOUT

TOLERANCE: ±0.05

TOP VIEW

PART NO. INFORMATION

TFWF - 08 X X 5 R - 009

- 08:08P
- CONTACT PLATED
- 1: GOLD FLASH
- 2: GOLD 3U"
- 3: GOLD 5U"
- 4: GOLD 10U"
- 5: GOLD 15U"
- 6: GOLD 30U"
- PACKAGE
- R: TAPE REEL
- HOUSING COLOR
- 2: WHITE
- 5: BLACK
- 9: NATURE
- HOUSING MATERIAL
- A: LCP B: PBT
- C: PA9T D: PA6T
- E: PA46 F: PA66

Bestcreate Technology Limited

TOLERANCES UNLESS OTHERWISE SPECIFIED:

X.	± 0.45	X.'	± 5'
.X	± 0.35	.X'	± 2'
.XX	± 0.25	.XX'	± 1'

Website:www.bsc-elec.com
Email:bestcreate@bsc-elec.com

DESIGN: I.L DATE: 2017.3.1

CHECKED: C.W DATE: 2017.3.1

APPROVED: C.W DATE: 2017.3.1

TITLE:

T-FLASH CARD CONNECTOR 1.80H

MATERILA: PART NO: TFWF-08XX5R-009 SIZE: A4

FINSH: DWG NO: TFWF-08XX5R-009

REV: A	UNIT mm	SCALE 1=1	QUALITY SYMBOLS
--------	---------	-----------	-----------------