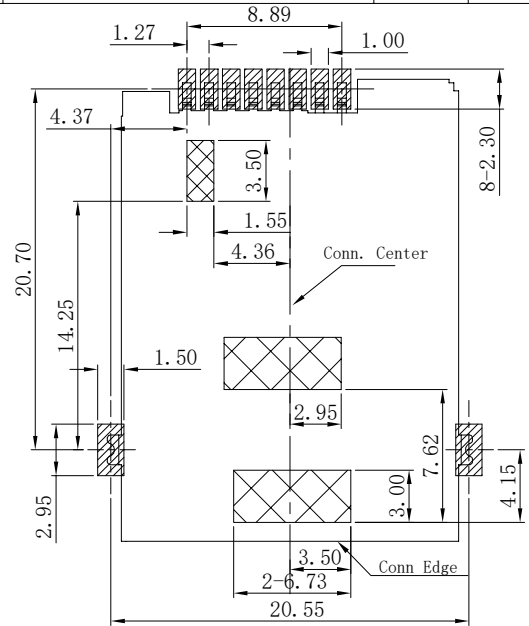
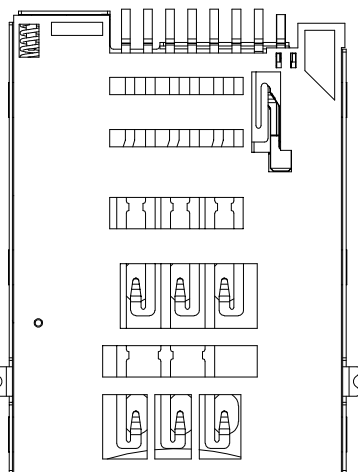
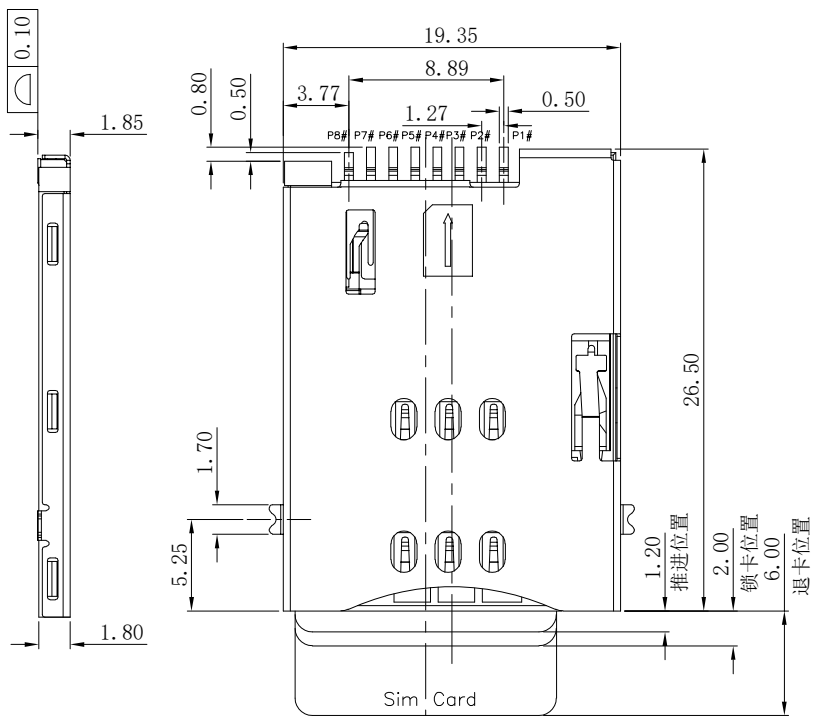
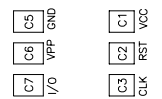


RoHS Compliant

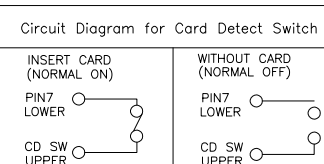
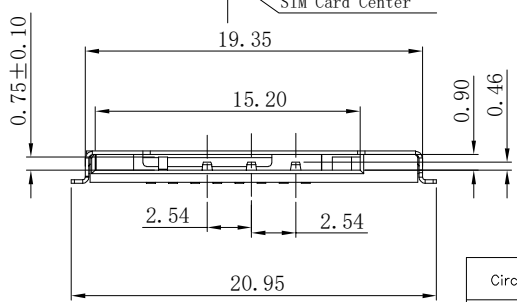
REVISIONS			
REV.	DESCRIPTION	DATE	DESIGN

SIM 示意图  
芯片面朝下视图



RECOMMENDED PCB LAYOUT  
GENERAL TOLERANCE ±0.05  
PAD AREA  
FORBIDDEN AREA

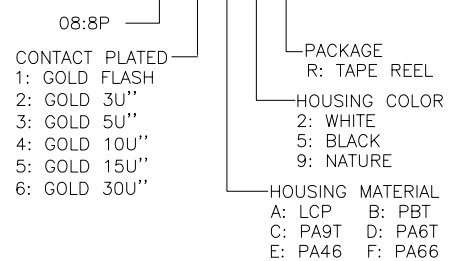
PIN NO.	DESCRIPTION
P1#	C1:VCC
P2#	C5:GND
P3#	C2:RST
P4#	C6:VPP
P5#	C3:CLK
P6#	C7:I/O
P7#	POL
P8#/SW	DET



NOTES:  
1)MATERIAL:  
HOUSING: LCP,UL94V-0,COLOR:BLACK  
CONTACT: COPPER ALLOY  
SHELL: STAINLESS STEEL  
2)PLATING :  
CONTACT:GOLD FLASH PLATED ON CONTACT AREA;MATTE TIN PLATING ON SOLDER TAILS, WITH ENTIRE CONTACT UNDERPLATED 30u"Min. NICKEL  
SWITCH PIN:GOLD FLASH PLATED ON CONTACT AREA;GOLD FLASH PLATING ON SOLDER TAILS, WITH ENTIRE CONTACT UNDERPLATED 30u"Min. NICKEL  
SHELL:50u"Min. NICKEL UNDERPLATED  
OVERALL,GOLD FLASH PLATED ON SOLDER TAILS  
3)ELECTRICAL REQUIREMNTS:  
CURRENT:0.5A  
VOLTAGE:100V  
CONTACT RESISTANCE: 100mΩ MAX  
INSULATION RESISTANCE 100 MEGOHMS MIN  
4)MECHANICAL  
DURABILITY 3000 CYCLES

PART NO. INFORMATION

**MISIM - 08 X X 5 R - 002**



**Bestcreate Technology Limited**

TOLERANCES UNLESS OTHERWISE SPECIFIED:

.X	± 0.35	X'	± 5'
.XX	± 0.25	.X'	± 2'
.XXX	± 0.15	.XX'	± 1'

Website:www.bsc-elec.com  
Email:bestcreate@bsc-elec.com

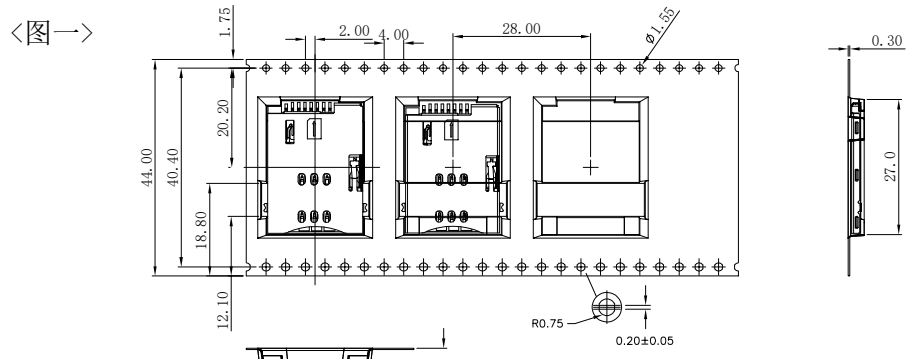
DESIGN:	DATE:
I. L	2017. 3. 1
CHECKED:	DATE:
C. W	2017. 3. 1
APPROVED:	DATE:
C. W	2017. 3. 1

TITLE: SIM CARD PUSH PUSH (6+2PIN) H=1.80mm		
MATERILA:	PART NO: MISIM-08XX5R-002	SIZE: A4
FINSH:	DWG NO: MISIM-08XX5R-002	1 OF 2

REV: A	UNIT mm	SCALE 1=1	QUALITY SYMBOLS
-----------	------------	--------------	-----------------

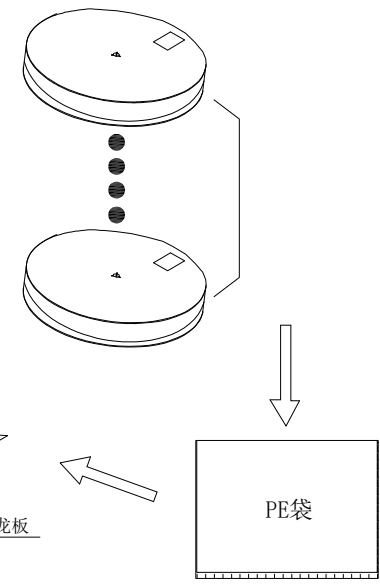
RoHS Compliant

REVISIONS			
REV.	DESCRIPTION	DATE	DESIGN

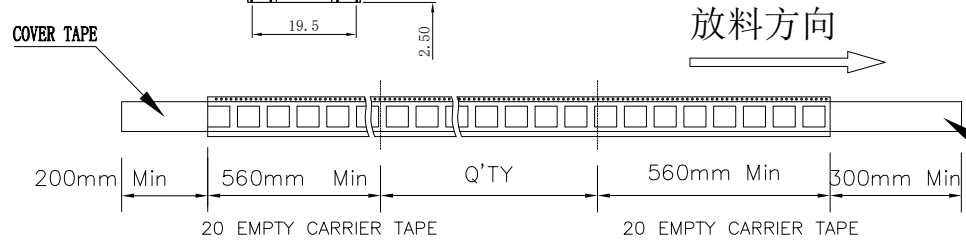


<TABLE 1> PACKAGING QUANTITY

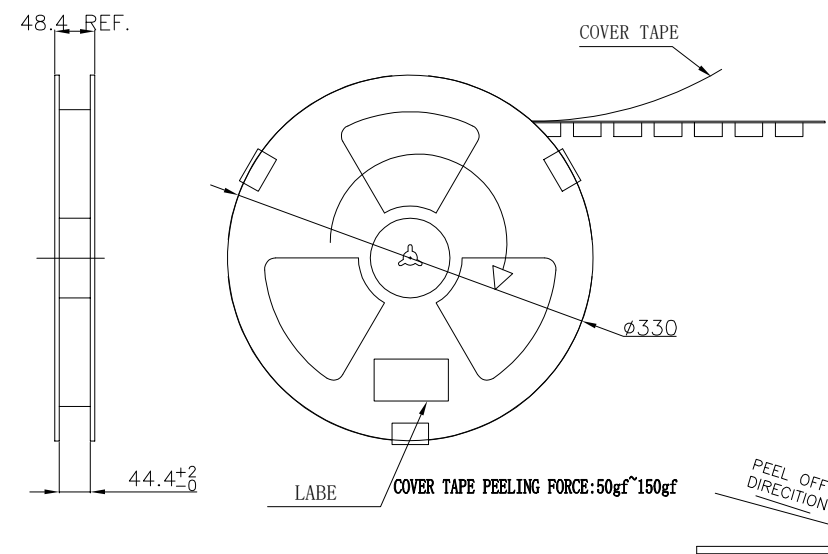
QTY/REEL	REEL/CARTON	QTY/CARTON
550	6	3300



<图三>



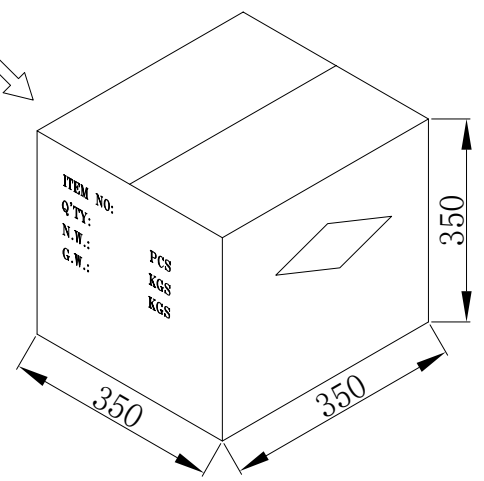
<图二>



纸箱材质 K=K

备注:

- 依<图一>示放置产品于Carrier tape中, 每穴放置1PCS产品, Carrier tape卷绕时, 前端和尾端各需预留20PCS空格.
- Cover tape覆盖Carrier tape前端需超出200mmMIN, 后端需留出300mmMIN, 两端都以美文胶贴固.
- 包装机包好后, 在Reel的个等分点贴上胶带, 以防止REEL张开, 每Reel贴1PCS标签, 如<图二>示
- 包装数量见如<TABLE 1>示
- 包装成箱见如<图三>示  
箱底放保丽龙板, 再将PE袋(6个Reel盘)放入箱内, 四角各放一个三角护板, 最上层再放上保丽龙板.
- 封箱, 在封好的纸箱侧面中间位置贴上出货标签.



**Bestcreate Technology Limited**

TOLERANCES UNLESS OTHERWISE SPECIFIED:			
.X	± 0.35	.X'	± 5'
.XX	± 0.25	.X'	± 2'
.XXX	± 0.15	.X'	± 1'
Website:www.bsc-elec.com			
Email:bestcreate@bsc-elec.com			

DESIGN:	DATE:
I. L	2017. 3. 1
CHECKED:	DATE:
C. W	2017. 3. 1
APPROVED:	DATE:
C. W	2017. 3. 1

TITLE: SIM CARD PUSH PUSH (6+2PIN) H=1.80mm		
MATERILA:	PART NO:	SIZE:
FINSH:	DWG NO:	2 OF 2
	MISIM-08XX5R-002	A4
	MISIM-08XX5R-002	

REV:	UNIT	SCALE	QUALITY SYMBOLS
A	mm	1=1	