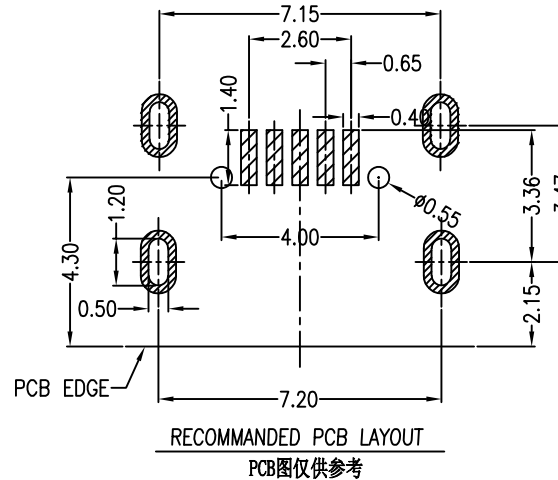
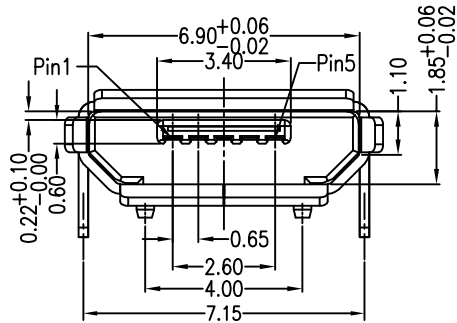
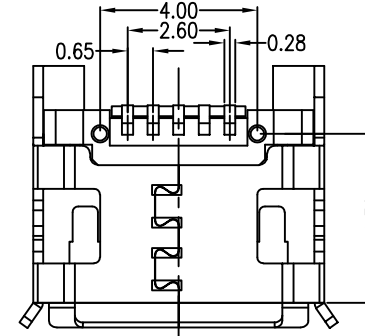
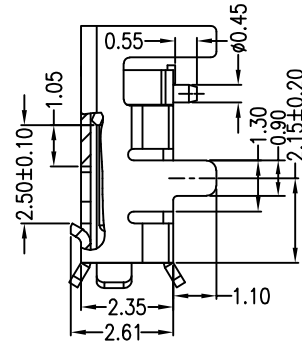
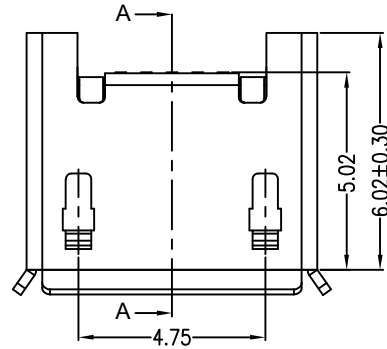
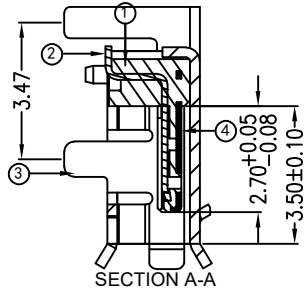
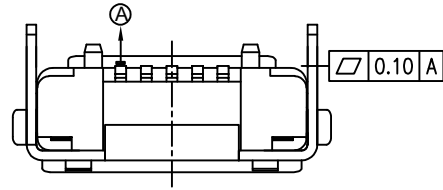


RoHS Compliant

REVISIONS			
REV.	DESCRIPTION	DATE	DESIGN



Note:

1.Material:

- ① 1.1 Housing: High temperature thermoplastic with g.f,UL94v-0
- ② 1.2 Contact: copper alloy,t=0.20mm
- ③ 1.3 Shell: copper alloy,t=0.25mm
- ④ 1.4 Steel sheet: SUS,t=0.12mm

2.Specification:

- 2.1 Current rating:1,5PIN 1.8A Max/2,3,4PIN 1A Max.
- 2.2 Dielectric withstanding voltage: 100 V(ac) for 1 min.
- 2.3 Contact resistance: 30 mΩ Max.
- 2.4 Insulation resistance: 100 MΩ Min.
- 2.5 Total mating force: 3.57 Kgf Max.
- 2.6 Total unmating force: 1.0 Kgf Min.
- 2.7 Temperature range: -30°C~80°C

PART NO. INFORMATION

**U01-B F X X 5 R - 719**

- PORT TYPE  
B: TYPE B
- GENDER  
F: FEMALE  
M: MALE
- CONTACT PLATED  
1: GOLD FLASH  
2: GOLD 3U"  
3: GOLD 5U"  
4: GOLD 10U"  
5: GOLD 15U"  
6: GOLD 30U"
- PACKAGE  
R: TAPE REEL
- HOUSING COLOR  
2: WHITE  
5: BLACK  
9: NATURE
- HOUSING MATERIAL  
A: LCP B: PBT  
C: PA9T D: PA6T  
E: PA46 F: PA66

**Bestcreate Technology Limited**

TOLERANCES UNLESS OTHERWISE SPECIFIED:

.X	± 0.15	.X'	± 3'
.XX	± 0.10	.X''	± 2'
.XXX	± 0.05	.XXX'	± 1'

DESIGN: I. L  
DATE: 2017/3/1

CHECKED: C. W  
DATE: 2017/3/1

APPROVED: C. W  
DATE: 2017/3/1

TITLE: **Micro usb 5P B Type插板7.2有柱脚长1.1四脚全插短针带钢片**

MATERIAL: PART NO: U01-BFXX5R-719 SIZE: A4

FINISH: DWG NO: U01-BFXX5R-719 SHEET: 1 OF 1

REV: A UNIT mm SCALE 1=1 QUALITY SYMBOLS

Website: www.bsc-elec.com  
E-mail: bestcreate@bsc-elec.com

1

2

3

4

5

6

7

8