

RoHS Compliant

| REVISIONS | | | |
|-----------|-------------|------|--------|
| REV. | DESCRIPTION | DATE | DESIGN |
| | | | |

A

B

C

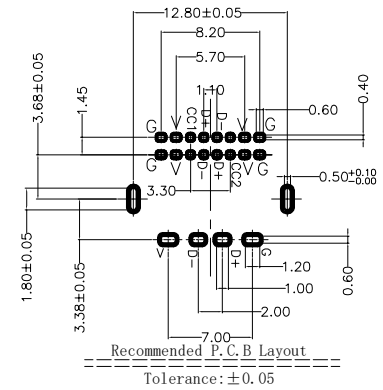
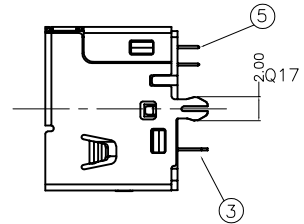
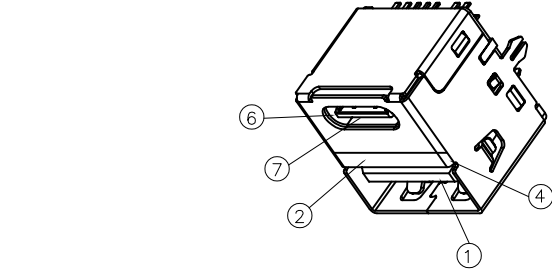
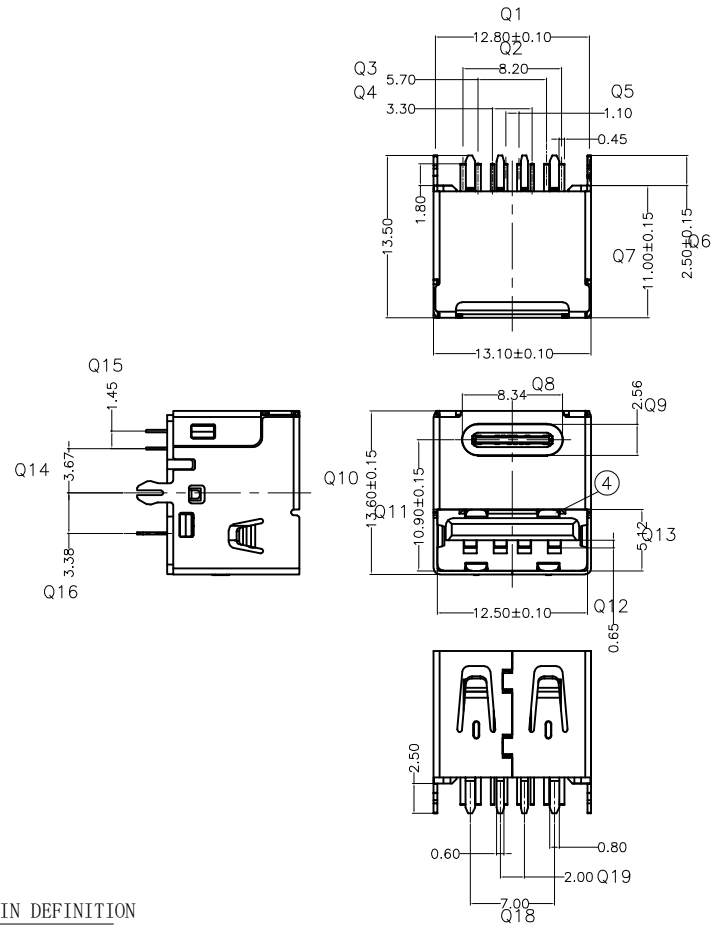
D

A

B

C

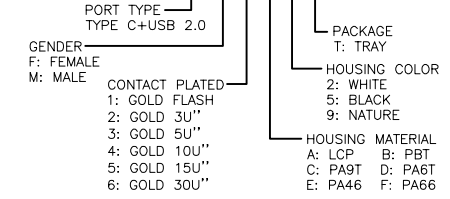
D



- (NOTES) :
- MECHANICAL CAPACIAL:
 - INSERTION FORCE: 5~20N.
 - WITHDRAWAL FORCE: 5~20N
 - LIFETIME: 10000 CYCLES.
 - ELECTRICAL SPECIFICATION:
 - CURRENT RATING: 5A MAX .
 - CURRENT VOLTAGE: 30V MAX.
 - WITHSTAND VOLTAGE: 100V AC.
 - CONTACT RESISTANCE: 40mΩ MAX(Initial) , 50mΩ MAX (AFTER 5000TIMES TEST) .
 - INSULATION RESISTANCE: 100MΩ MIN.
 - ENVIRONMENT TEMPERATURE:
 - TEMPERATURE RANGE: -30° C +85° C
 - SALT SPRAY: 24H.

PART NO. INFORMATION

U06-C2 F X X 5 T - 005



PIN DEFINITION
FRONT VIEW

| | | | | | | | | | | | |
|-----|-----|-----|------|-------|----|----|----|------|-----|-----|-----|
| A12 | A11 | A10 | A9 | A8 | A7 | A6 | A5 | A4 | A3 | A2 | A1 |
| GND | / | / | VBus | / | D- | D+ | CC | VBus | / | / | GND |
| GND | / | / | VBus | Vconn | | | / | VBus | / | / | GND |
| B1 | B2 | B3 | B4 | B5 | B6 | B7 | B8 | B9 | B10 | B11 | B12 |

| NO | DESCRIPTION | MATERIAL | COLOR | NOTES |
|----|-----------------|------------|-------|---------------------------------|
| 7 | TYPE C Moding | LCP+300F | BLACK | UL 94V-0 |
| 6 | TYPE C | SUS201 | | |
| 5 | TYPE C TERMINAL | C2680-H | | PLATING:G/F Tin 80-120u"Ni:50u" |
| 4 | CLIPS | SUS201 | | |
| 3 | USB TERMINAL | C2680-H | | PLATING:G/F Tin 80-120u"Ni:50u" |
| 2 | SHELL | C2680/spcc | | Ni :40-60" |
| 1 | HOUSING | LCP+300F | BLACK | UL 94V-0 |

Bestcreate Technology Limited

TOLERANCES UNLESS OTHERWISE SPECIFIED:
 X. ± 0.50 X.* ± 3*
 .X ± 0.30 .X* ± 2*
 .XX ± 0.20 .XX* ± 1*
 Website: www.bsc-elec.com
 E-mail: bestcreate@bsc-elec.com

DESIGN: I. L DATE: 2017. 3. 1
 CHECKED: C. W DATE: 2017. 3. 1
 APPROVED: C. W DATE: 2017. 3. 1

TITLE: USB TYPE C FEMALE 16P+USB2.0 A FEMALE CONNECTOR 180D
 MATERILA: PART NO: U06-C2FXX5T-005 SIZE: A4
 FINSH: DWG NO: U06-C2FXX5T-005 SHEET: 1 OF 1

REV: A UNIT mm SCALE 1=1 QUALITY SYMBOLS