

RoHS Compliant

REVISIONS			
REV.	DESCRIPTION	DATE	DESIGN

A

B

C

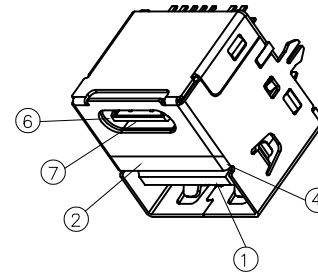
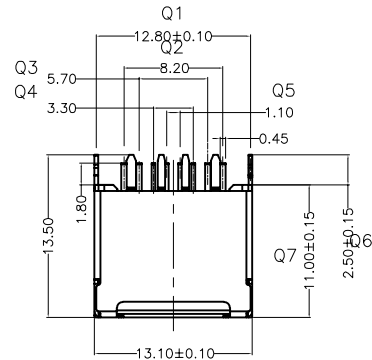
D

A

B

C

D



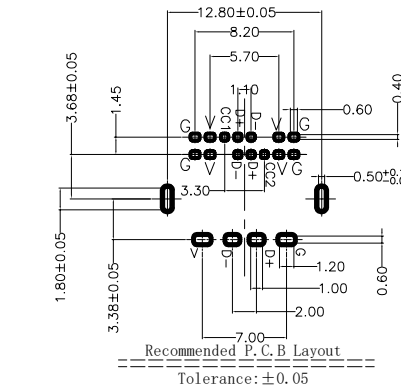
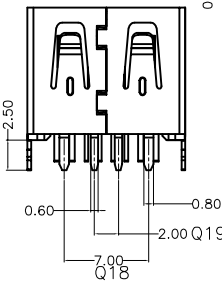
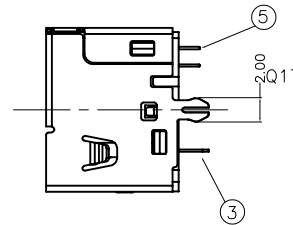
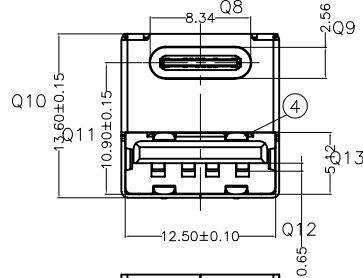
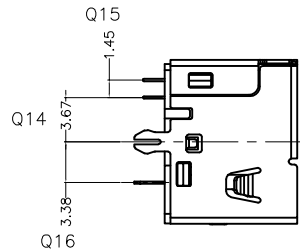
(NOTES) :

- MECHANICAL CAPACIAL:
  - INSERTION FORCE: 5~20N.
  - WITHDRAWAL FORCE: 5~20N
  - LIFETIME: 10000 CYCLES.
- ELECTRICAL SPECIFICATION:
  - CURRENT RATING: 3A MAX .
  - CURRENT VOLTAGE: 30V MAX.
  - WITHSTAND VOLTAGE: 100V AC.
  - CONTACT RESISTANCE: 40mΩ MAX(Initial) , 50mΩ MAX(AFTER 5000TIMES TEST) .
  - INSULATION RESISTANCE: 100MΩ MIN.
- ENVIRONMENT TEMPERATURE:
  - TEMPERATURE RANGE: -30° C +85° C
  - SALT SPRAY: 24H.

PART NO. INFORMATION

**U06-C2 F X X 5 T - 004**

- PORT TYPE: TYPE C+USB 2.0
- GENDER: F: FEMALE, M: MALE
- CONTACT PLATED: 1: GOLD FLASH, 2: GOLD 3U'', 3: GOLD 5U'', 4: GOLD 10U'', 5: GOLD 15U'', 6: GOLD 30U''
- PACKAGE: T: TRAY
- HOUSING COLOR: 2: WHITE, 5: BLACK, 9: NATURE
- HOUSING MATERIAL: A: LCP, B: PBT, C: PA9T, D: PA6T, E: PA46, F: PA66



**PIN DEFINITION**

FRONT VIEW

A12	A11	A10	A9	A8	A7	A6	A5	A4	A3	A2	A1
GND			VBus		D-	D+	CC	VBus			GND
GND			VBus	Vconn				VBus			GND
B1	B2	B3	B4	B5	B6	B7	B8	B9	B10	B11	B12

⑦	TYPE C Moding	LCP+30GF	BLACK	UL 94V-0
⑥	TYPE C	SUS201		
⑤	TYPE C TERMINAL	C2680-H		PLATING: G/F Tin 80-120u"Ni: 50u"
④	CLIP	SUS201		
③	USB TERMINAL	C2680-H		PLATING: G/F Tin 80-120u"Ni: 50u"
②	SHELL	C2680/spcc		Ni : 40-60"
①	HOUSING	LCP+30GF	BLACK	UL 94V-0
NO	DESCRIPTION	MATERIAL	COLOR	NOTES

**Bestcreate Technology Limited**

TOLERANCES UNLESS OTHERWISE SPECIFIED:

X.	± 0.50	X.*	± 3'
.X	± 0.30	.X*	± 2'
.XX	± 0.20	.XX*	± 1'

Website: www.bsc-elec.com

E-mail: bestcreate@bsc-elec.com

DESIGN: I. L DATE: 2017. 3. 1

CHECKED: C. W DATE: 2017. 3. 1

APPROVED: C. W DATE: 2017. 3. 1

TITLE: USB TYPE C 14P FEMALE+USB 2.0 A FEMALE CONNECTOR 180D

MATERIAL: PART NO: U06-UC2FXX5T-004 SIZE: A4

FINISH: DWG NO: U06-UC2FXX5T-004 SHEET: 1 OF 1

REV: A UNIT mm SCALE 1=1 QUALITY SYMBOLS