

RoHS Compliant

REVISIONS			
REV.	DESCRIPTION	DATE	DESIGN

A

B

C

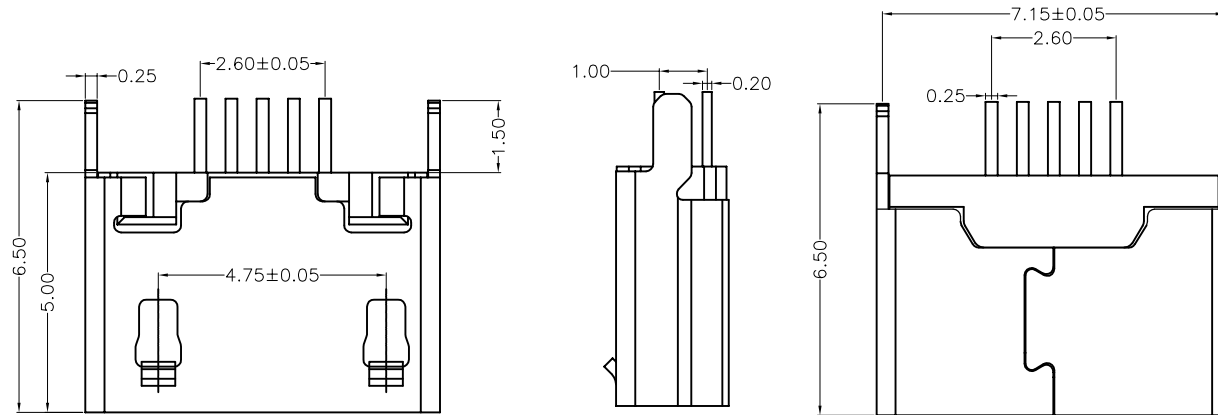
D

A

B

C

D



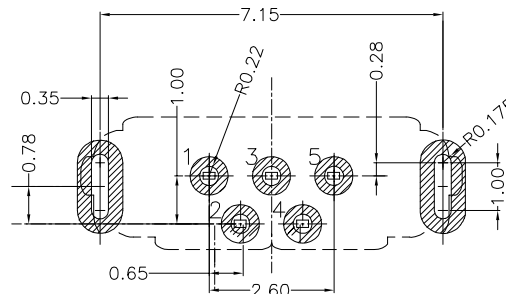
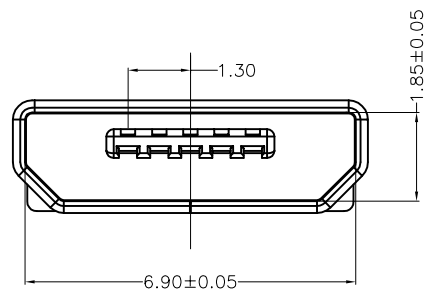
Note:

1. Material:

- 1.1 Housing: High temperature thermoplastic with g.f, UL94v-0
- 1.2 Contact: copper alloy, t=0.15mm
- 1.3 Shell: SUS201, t=0.25mm

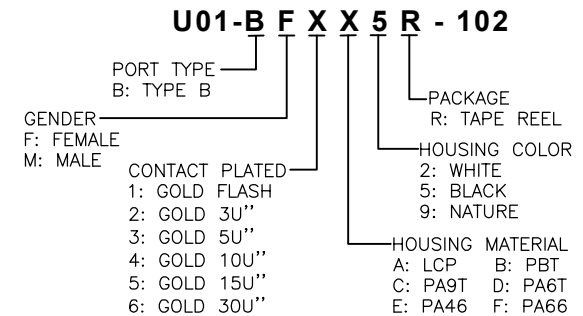
2. Specification:

- 2.1 Current rating: 1 A Max.
- 2.2 Dielectric withstanding voltage: 100 V(ac) for 1 min.
- 2.3 Contact resistance: 30 MΩ Max.
- 2.4 Insulation resistance: 100 MΩ Min.
- 2.5 Total mating force: 3.57 Kg Max.
- 2.6 Total unmating force: 1.0 Kg Min
- 2.7 Temperature range: -30°C~80°C



RECOMMENDED P.C.B LAYOUT

PART NO. INFORMATION



Bestcreate Technology Limited

TOLERANCES UNLESS OTHERWISE SPECIFIED:

X.	± 0.30	X.*	± 3*
.X	± 0.25	.X*	± 2*
.XX	± 0.20	.XX*	± 1*

Website: www.bsc-elec.com
E-mail: bestcreate@bsc-elec.com

DESIGN: I. L
DATE: 2017/5/1

CHECKED: C. W
DATE: 2017/5/1

APPROVED: C. W
DATE: 2017/5/1

TITLE: MICRO 5P/F B TYPE
180D THRU HOLE

MATERIAL:	PART NO: U01-BFXX5R-102	SIZE: A4
FINISH:	DWG NO: U01-BFXX5R-102	SHEET: 1 OF 1

REV: A	UNIT mm	SCALE 1=1	QUALITY SYMBOLS
--------	---------	-----------	-----------------

1

2

3

4

5

6

7

8