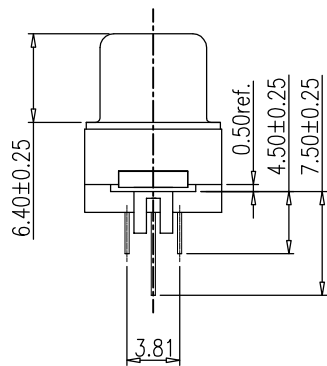
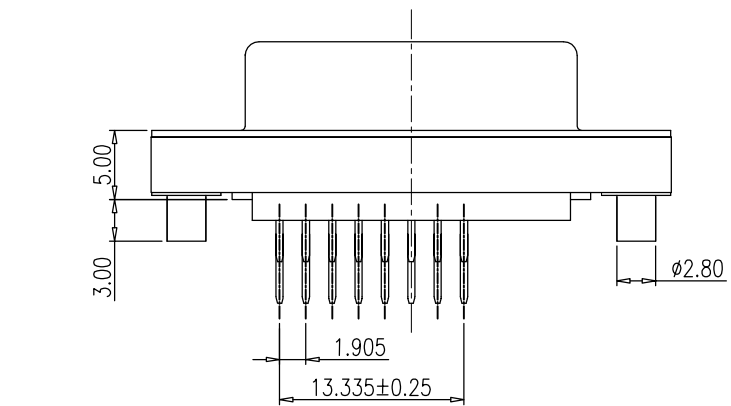
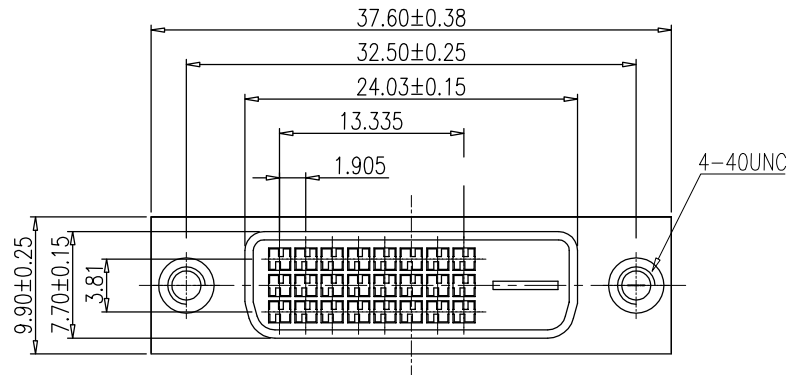


RoHS Compliant

REVISIONS			
REV.	DESCRIPTION	DATE	DESIGN



NOTE:
 1. MATERIALS AND FINISHED
 INSULATOR : PA66 +30%GF UL 94V-0,
 SHELL : STEEL, FINISHED SEE PART NO.
 CONTACT MATERIAL : BRASS, SELEVITE GOLD FINISHED
 RIVETED INSERT: BRASS MATERIAL ,TIN FINISHED
 WITH #4-40 THREADED ASSEMBLED
 2. ELECTRICAL CHARACTERISTICS
 CURRENT RATING : 1.5 AMP DC
 VOLTAGE RATING: 40 V DC
 CONTACT RESISTANCE :20 MILLIOHMS MAX.
 DIELECTRIC WITHSTANDING VOLTAGE : 500 V AC MIN.
 INSULATION RESISTANCE : 1000 MEGAOHMS MIN.
 3. MECHANICAL
 MATING FORCE:4.5Kgf MAX.
 UNMATING FORCE:1.0-4.0 Kgf
 4. ENVIRONMENTAL
 OPERATING TEMPERATURE: -55°C ~ +85°C
 STORAGE TEMPERATURE:-55°C ~ +105°C
 5. HOW TO ORDER:

DVFC1-240XXXXN-XX210

Female		0: RoHs
C1: Solder Type (W/Plastic Cover)		1: (3.1)+5.0+8.0
		2: Rivet 8.25
185: 18+5Pin		0: None
240: 24+0Pin		1: 4.8*8.5copper screws
245: 24+5Pin		2: 4.8*8.5steel screws
S:Selevite Gold Bright TIN		A: No screw type
		B: Ass'y screw type
		C: Attach screw type
1:G/F" 3: 3u"		N: PA66
2:2u" 6: 10u" 7: 15u"		B: Black
		W: White

Bestcreate Technology Limited

TOLERANCES UNLESS OTHERWISE SPECIFIED:			
.X	± 0.35	.X'	± 3'
.XX	± 0.25	.X''	± 2'
.XXX	± 0.15	.XX''	± 1'

Website: www.bsc-elec.com
 Email: bestcreate@bsc-elec.com

DESIGN:	I. L	DATE:	2017. 3. 1
CHECKED:	C. W	DATE:	2017. 3. 1
APPROVED:	C. W	DATE:	2017. 3. 1

TITLE: DVI (24+0) CONNECTOR 180D FOR WIRE SOLDERING		
MATERILA:	PART NO: DVFC1-240XXXXP-XX210	SIZE: A4
FINSH:	DWG NO: DVFC1-240XXXXP-XX210	

REV: A	UNIT: mm	SCALE: 1=1	QUALITY SYMBOLS
--------	----------	------------	-----------------