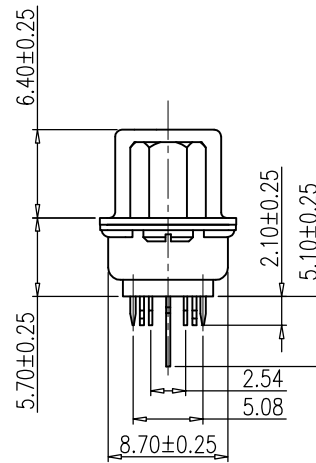
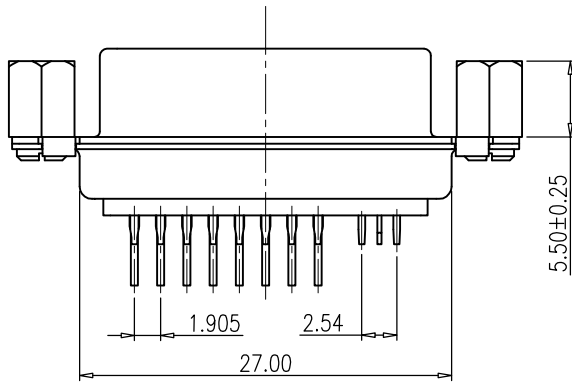
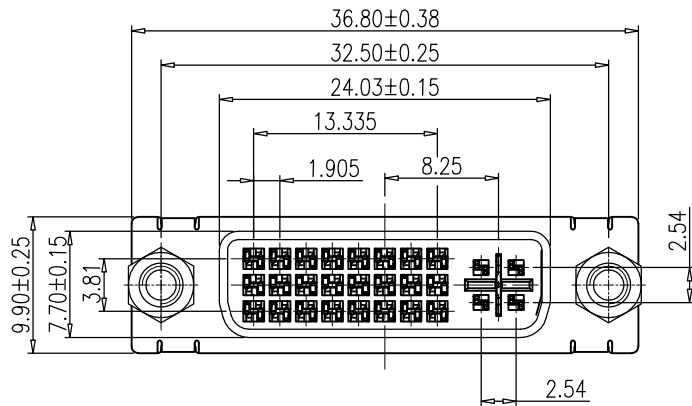


RoHS Compliant

REVISIONS			
REV.	DESCRIPTION	DATE	DESIGN



NOTE:

- 1.MATERIALS AND FINISHED  
 INSULATOR : PBT+30% GF UL 94V-0,  
 SHELL : STEEL, FINISHED SEE PART NO.  
 CONTACT MATERIAL : BRASS, SELEVITE GOLD FINISHED  
 RIVETED INSERT: BRASS MATERIAL ,TIN FINISHED  
 WITH #4-40 THREADED ASSEMBLED
- 2.ELECTRICAL CHARACTERISTICS  
 CURRENT RATING : 1.5 AMP DC  
 VOLTAGE RATING: 40 V DC  
 CONTACT RESISTANCE :20 MILLIOHMS MAX.  
 DIELECTRIC WITHSTANDING VOLTAGE : 500 V AC MIN.  
 INSULATION RESISTANCE : 1000 MEGAOHMS MIN.
- 3.MECHANICAL  
 MATING FORCE:4.5Kgf MAX.  
 UNMATING FORCE:1.0-4.0 Kgf
- 4.ENVIRONMENTAL  
 OPERATING TEMPERATURE: -55°C ~ +85°C  
 STORAGE TEMPERATURE:-55°C ~ +105°C
- 5.HOW TO ORDER:

DVFC2-245XXXXP-A0X30

Female  
 C2: Solder Type  
 (W/Front & Back Shell)

240: 24+0Pin  
 245: 24+5Pin

S:Selevite Gold Bright TIN

1:G/F" 3: 3u"  
 2:2u" 6: 10u" 7: 15u"

1. Front NI Back SN  
 2. Front Gold Back SN  
 5. Full NI

0: RoHs

3: Middle pin 5.1  
 + Other pin2.1

2: Front rivet 5.5 solid nut  
 1: Front rivet 5.5 solid nut(Full Gold)

A: No screw type  
 (Riveting Type)

P: PBT

L: Light blue  
 B: Black  
 W: White

**Bestcreate Technology Limited**

TOLERANCES UNLESS OTHERWISE SPECIFIED:

.X	± 0.38	X'	± 3'
.XX	± 0.25	.X'	± 2'
.XXX	± 0.15	.XX'	± 1'

Website:www.bsc-elec.com  
 Email:bestcreate@bsc-elec.com

DESIGN: I. L DATE: 2017. 3. 1

CHECKED: C. W DATE: 2017. 3. 1

APPROVED: C. W DATE: 2017. 3. 1

TITLE: DVI (24+5) CONNECTOR 180D FOR WIRE SOLDERING

MATERILA: PART NO: DVFC2.245XXXXP.A0X30 SIZE: A4

FINSH: DWG NO: DVFC2.245XXXXP.A0X30

REV: A	UNIT mm	SCALE 1=1	QUALITY SYMBOLS
--------	---------	-----------	-----------------