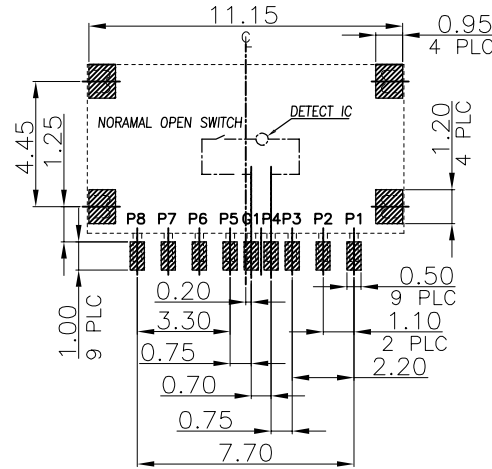
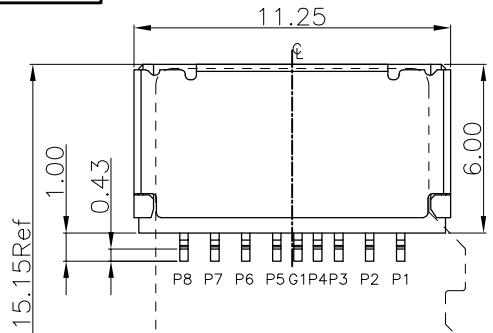
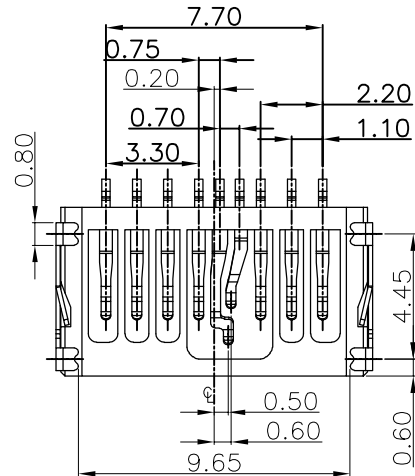
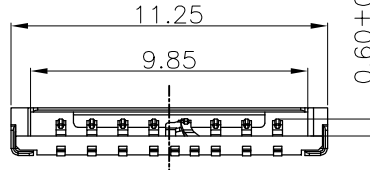


RoHS Compliant

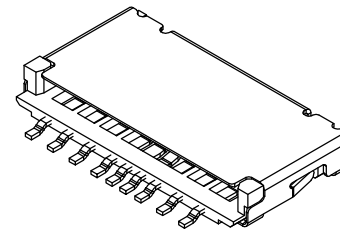
REVISIONS			
REV.	DESCRIPTION	DATE	DESIGN



RECOMMENDED PCB LAYOUT  
TOL:(±0.05)



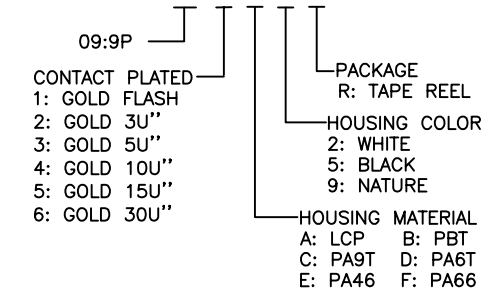
P8	DAT1
P7	DAT0
P6	VSS
P5	CLK
G1	SWITCH
P4	VDD
P3	CMD
P2	CD/DAT3
P1	DAT2
PIN NUMBER	PIN NUMBER



NOTES:

- MATERIAL:  
HOUSING: LCP UL 94V-0  
CONTACT: C5210,T=0.15  
SHELL: SUS201,T=0.15
- FINISH :  
CONTACT:GOLD FLASH PLATED ON CONTACT AREA;  
GOLD FLASH PLATING ON SOLDER TAILS,  
SHELL: 50u"Min. NICKEL UNDERPLATED OVERALL,  
GOLD FLASH PLATED ON SOLDER TAILS
- SPECIFICATION
  - CURRENT RATING : 0.5 A. MAX.
  - VOLTAGE RATING : 100V AC rms  
500V AC R.M.S. FOR 1 MINUTE.
  - INSULATION RESISTANCE : 1000MΩ MIN.AT 500V DC.
  - CONTACT RESISTANCE : 100mΩ MAX.
  - OPERATING LIFE: 3000 CYCLES.
  - Ambient Temperatere Range : -25°C TO +85°C.
  - Storage Temperatere Range : -40°C TO +75°C.
  - Ambiernt Humidity Range: 95% R.H. Max
- PART NO.:

**TFWF - 09 X X 5 R - 008**



**Bestcreate Technology Limited**

TOLERANCES UNLESS OTHERWISE SPECIFIED:

.X	±	0.35	X.*	±	5'
.XX	±	0.25	.X'	±	2'
.XXX	±	0.15	.XX'	±	1'

Website:www.bsc-elec.com  
Email:bestcreate@bsc-elec.com

DESIGN: I.L DATE: 2017.3.1

CHECKED: C.W DATE: 2017.3.1

APPROVED: C.W DATE: 2017.3.1

TITLE: T-FLASH CONN 1.7H  
(SIMPLE SWITCH TYPE)

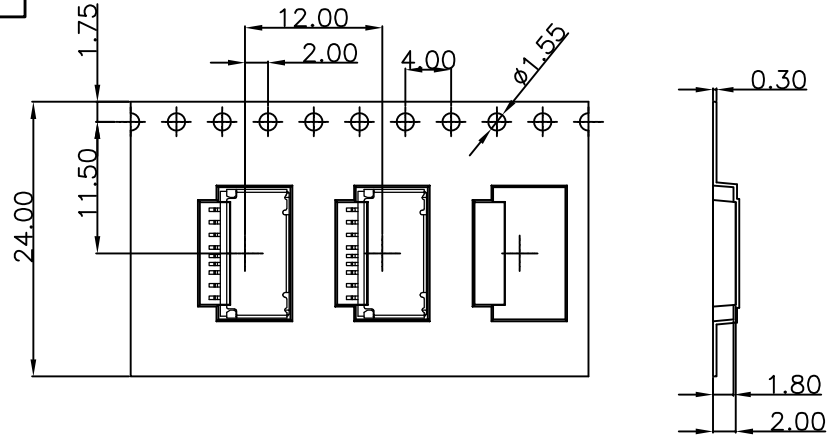
MATERILA: TFWF-09XX5R-008 PART NO: TFWF-09XX5R-008 SIZE: A4

FINSH: TFWF-09XX5R-008 DWG NO: TFWF-09XX5R-008 SHEET: 1 / 2

REV: A UNIT mm SCALE 1=1 QUALITY SYMBOLS

RoHS Compliant

<图一>

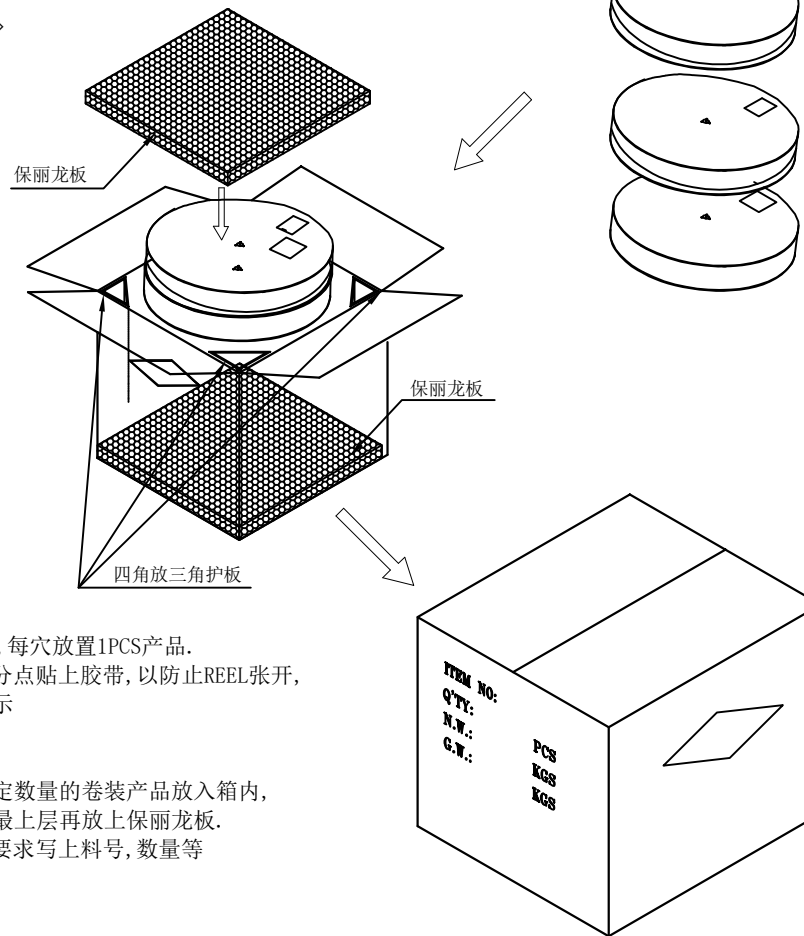


<表一>

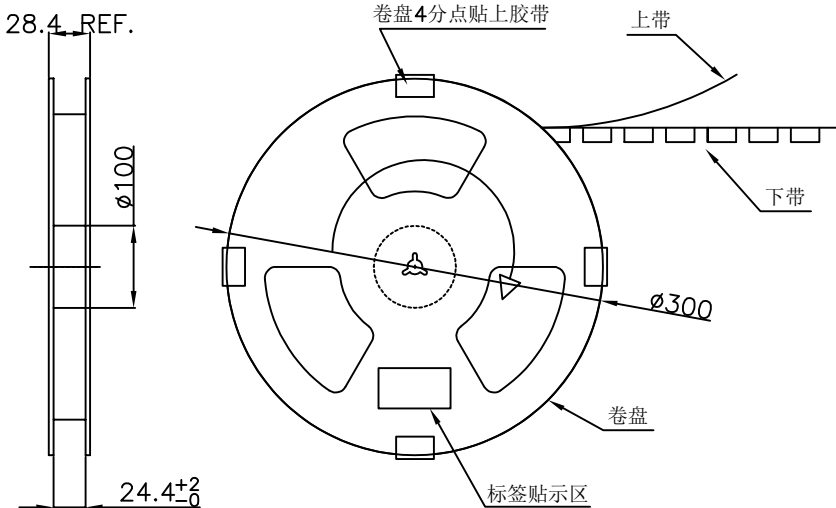
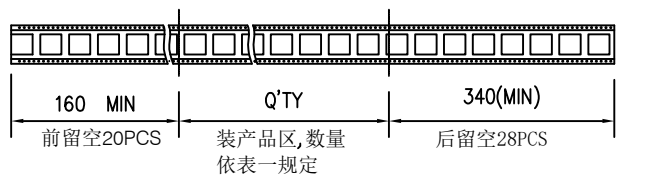
包装数量

PCS/卷	卷/箱	PCS/箱
2500	10	25000

<图三>



<图二>



NOTE:

- 依<图一>示放置产品于下载中, 每穴放置1PCS产品.
- 包装机包好后, 在REEL的个等分点贴上胶带, 以防止REEL张开, 每REEL贴1PCS标签, 如<图二>示
- 包装数量见如<表一>示
- 包装成箱见如<图三>示  
箱底放保丽龙板, 再依次将指定数量的卷装产品放入箱内, 四角分别放入四个三角护板, 最上层再放上保丽龙板.
- 封箱, 在封好的纸箱上按客户要求写上料号, 数量等
- 适用成品料号见如下<表二>

**Bestcreate Technology Limited**

TOLERANCES UNLESS OTHERWISE SPECIFIED:

.X	±	0.35	X.*	±	5'
.XX	±	0.25	.X'	±	2'
.XXX	±	0.15	.XX'	±	1'

Website: [www.bsc-elec.com](http://www.bsc-elec.com)  
Email: [bestcreate@bsc-elec.com](mailto:bestcreate@bsc-elec.com)

DESIGN: I.L DATE: 2017. 3. 1

CHECKED: C.W DATE: 2017. 3. 1

APPROVED: C.W DATE: 2017. 3. 1

TITLE: T-FLASH CONN 1.7H  
(SIMPLE SWITCH TYPE) 包装图

MATERIAL:	PART NO: TFWF-09XX5R-008	SIZE: A4
FINISH:	DWG NO: TFWF-09XX5R-008	SHEET: 2 OF 2

REV: A	UNIT: mm	SCALE: 1=1	QUALITY SYMBOLS
--------	----------	------------	-----------------