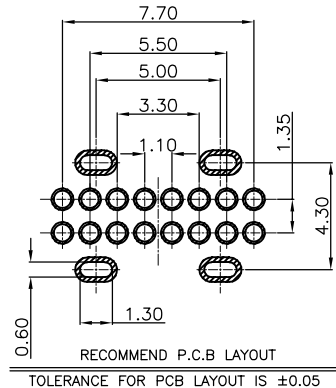
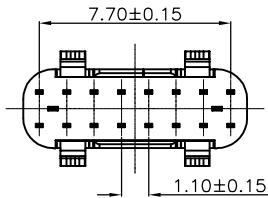
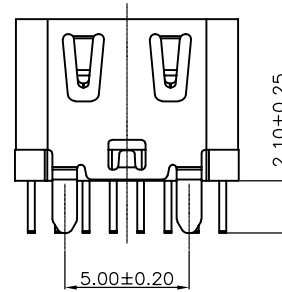
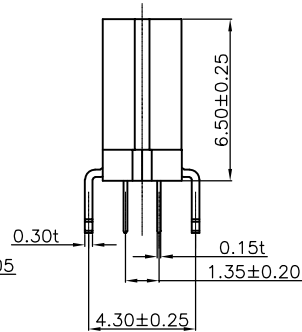
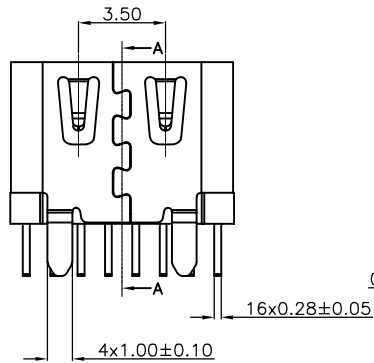
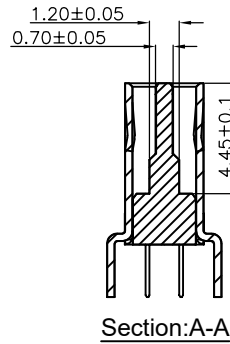
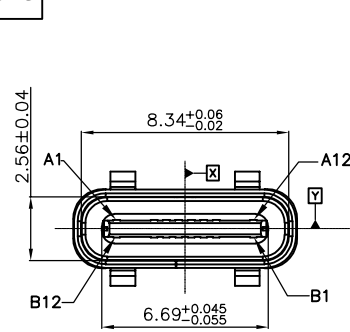


RoHS Compliant

REVISIONS			
REV.	DESCRIPTION	DATE	DESIGN



A1	A2	A3	A4	A5	A6	A7	A8	A9	A10	A11	A12
GND			VBUS	CC1	D+	D-	SBU1	VBUS			GND
GND			VBUS	SBU2	D-	D+	CC1	VBUS			GND
B12	B11	B10	B9	B8	B7	B6	B5	B4	B3	B2	B1

NOTE:

- ELECTRICAL PERFORMANCE,
 - CURRENT RATING:3 AMPS. FOR TOTAL VBUS/GND PINS; 1.25AMPS FOR CC PIN,0.25 AMPS. FOR ALL OTHER CONTACT.
 - VOLTAGE RATING:20V DC/AC (RMS. MAX)
 - LLCR: VBUS & GND PINS AND OTHER PINS: 40MΩ/PIN MAX. SHIELD:50MΩ/MAX. LLCR MAX. CHANGE OF ALL PINS: 10MΩ.
 - INSULATION RESISTANCE: 100MΩ MIN
 - DIELECTRIC WITHSTAND VOLTAGE,AC 100V FOR 1 MINUTE.
- MECHANICAL PERFORMANCE,
 - INSERTION FORCE: 5~20N.
 - EXTRACTION FORCE: 8~20N.
 - DURABILITY: 10000 CYCLES.
- ENVIRONMENTAL PERFORMANCE:
 - OPERATING TEMPERATURE: -25°C~+85°C.
- IR REFLOW:
 - THE PEAK TEMPERATURE ON THE BOARD SHALL BE MAINTAINED FOR 10 SECONDS AT 260°C.

5.PART NUMBER CODE:

NO.	PART NO.	REMARKS	PACKING
1	U06-CF2A5R-077	LCP黑色半金錫3u"	TAPE & REEL

PART NO. INFORMATION

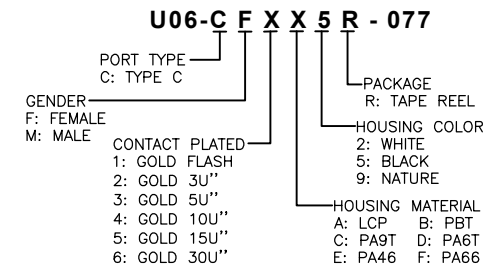


TABLE:

NO	PART	QTY	Material
1	SHELL	1	STAINLESS STEEL 304, T=0.30mm Ni 30u'' MIN PLATED
2	Mid Plate	1	STAINLESS STEEL 301, T=0.15mm NO PLATED
3	CONTACT	16	COPPER STEEL C7025, T=0.15mm; Au 3u'' plated on contact area Matte Tin plated 60u''min on solder area; Nickel 30u''min underplating over all.
4	HOUSING	1	LCP BLACK UL94 V-0

Bestcreate Technology Limited

TOLERANCES UNLESS OTHERWISE SPECIFIED:

X.	± 0.30	X.'	± 5'
.X	± 0.25	.X''	± 2''
.XX	± 0.10	.XX''	± 1''

Website:www.bsc-elec.com
Email:bestcreate@bsc-elec.com

DESIGN:
I. L

DATE:

CHECKED:
C. W

DATE:

APPROVED:
C. W

DATE:

TITLE:

16P USB 3.1 C FEMALE CONNECTOR H=6.5 DIP TYPE

MATERILA:

PART NO:
U06-CFXX5R-077

SIZE:
A4

FINSH:

DWG NO:
U06-CFXX5R-077

1 OF 1

REV:
A

UNIT
mm

SCALE
1=1

QUALITY SYMBOLS

