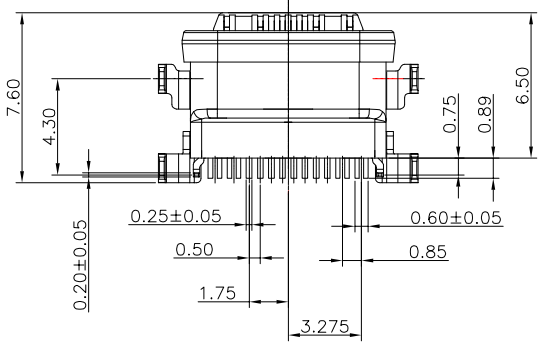
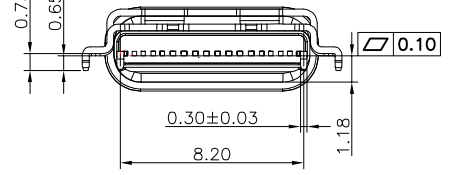
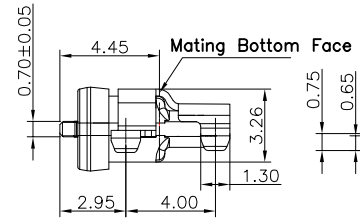
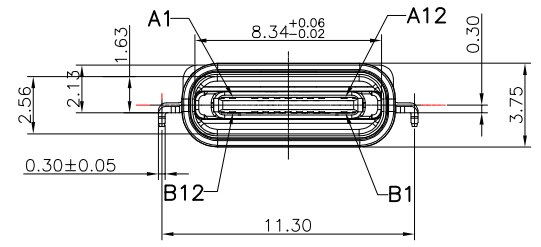
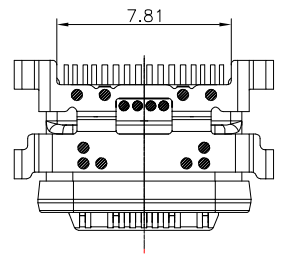
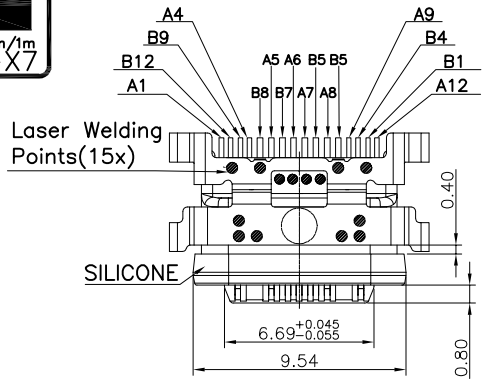


RoHS Compliant

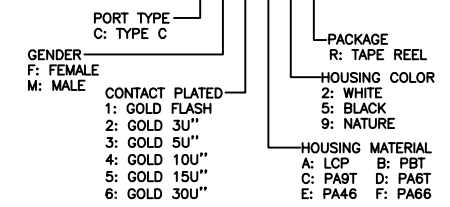


REVISIONS			
REV.	DESCRIPTION	DATE	DESIGN

NOTES:  
 1.MATERIAL SPECIFICATION:  
 1-1.HOUSING:High-Temp Plastics,UL94V-0,Color:Black.  
 1-2.CONTACTS:Copper Alloy T=0.25mm.  
 1-3. OUTER SHELL:Stainless Steel,T=0.30mm.  
 1-4.INNER SHELL:Stainless Steel,T=0.20mm.  
 1-5.MID-PLATE:Stainless Steel,T=0.20mm.  
 1-6.SOLDER-PLATE:Stainless Steel,T=0.10mm.  
 2.PLATING SPECIFICATION:  
 2-1.CONTACTS:  
 NI UNDERPLATED OVER ALL;  
 Gold Plated On Contact Area;  
 Gold Flash Plated On Solder Area.  
 2-2.SHELL:  
 NI UNDERPLATED OVER ALL;  
 Gold Flash Plated ON Solder Leg.  
 3.RoHS AND HF COMPLIANT.  
 4.MECHANICAL PERFORMANCE:  
 4-1.MATING FORCE:6~20N (Initial);5~20N(After)  
 4-2.UNMATING FORCE:8~20N(Initial);6~20N(After)  
 4-3.DURABILITY:10000 CYCLES.  
 5.ELECTRICAL PERFORMANCE:  
 5-1.CURRENT RATING:3A;VOLTAGE RATING:5.0V  
 5-2.LLCR:  
 VBUS & GND PINS:40mA/PIN MAX.;  
 OTHERS PINS:40mA/PIN MAX.;  
 LLCR MAX. CHANGE OF ALL PINS:10mA.  
 5-3.INSULATION RESISTANCE:100MΩ MIN.  
 5-4.DIELECTRIC WITHSTANDING VOLTAGE:  
 100V AC FOR 1 MINUTE.  
 6.ENVIRONMENTAL PERFORMANCE:  
 OPERATING TEMPERATURE:-20℃~+85℃.  
 7.RECOMMENDED PROCESS:  
 THE PEAK TEMPERATURE ON THE BOARD  
 SHALL MAINTAIN 10±1 SECONDS AT 260±5℃.

PART NO. INFORMATION

U06-C F X X 5 R - W081



ITEM	NAME	Q'TY	MATERIAC	FINISH
H	LIM	1	SILICONE	UL94V-0,BLACK
G	GLUE	1	SILICONE	UL94V-0
F	OUTER SHELL	1	Stainless Steel,T=0.30	OVER ALL 50u"Min Ni UNDERPLATED SOLDER TAIL:G/F Au PLATED
E	INNER SHELL	1	Stainless Steel,T=0.20	CLEAN
D	SOLDER-PLATE	1	Stainless Steel,T=0.10	CLEAN
C	HOUSING	1	High-Temp Plastics	UL94V-0,Color:Black.
B	MID-PLATE	1	Stainless Steel,T=0.20	OVER ALL 50u"Min Ni PLATED
A	CONTACTS	16	Copper Alloy T=0.15mm	CONTACT AREA: 1*30u" Au Min SOLDER TAIL: G/FAu OVER ALL: 50u"Ni UNDERPLATED.

**Bestcreate Technology Limited**

TOLERANCES UNLESS OTHERWISE SPECIFIED:		DESIGN: I.L	DATE:
.X ± 0.20	X.* ± 5'	CHECKED: C.W	DATE:
.XX ± 0.15	.X.* ± 2'	APPROVED: C.W	DATE:
.XXX ± 0.10	.XX.* ± 1'	Website:www.bsc-elec.com	
		Email:bestcreate@bsc-elec.com	

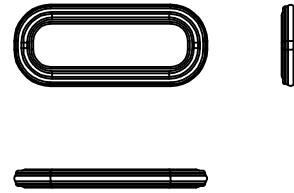
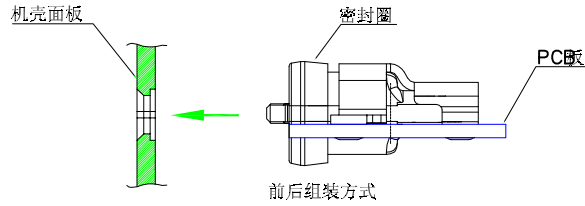
TITLE: IPX7 WATERPROOF 16PUSB C FEMALE CONNECTOR MID MOUNT 1.18MM		
MATERILA:	PART NO: U06-CFXX5R-W081	SIZE: A4
FINSH:	DWG NO: U06-CFXX5R-W081	1 OF 3

REV: A	UNIT mm	SCALE 1=1	QUALITY SYMBOLS
--------	---------	-----------	-----------------

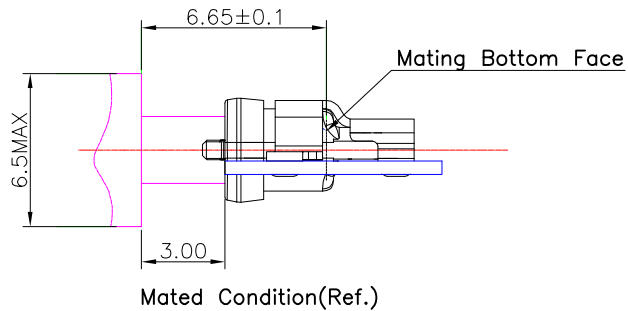
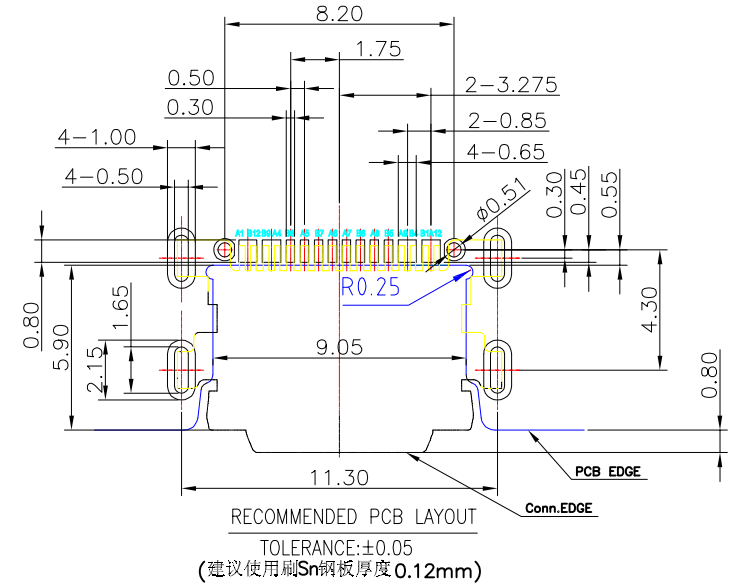
RoHS Compliant

REVISIONS			
REV.	DESCRIPTION	DATE	DESIGN

# 建议密封方式



防水圈材质 (硅橡胶)



## Bestcreate Technology Limited

TOLERANCES UNLESS OTHERWISE SPECIFIED:

.X	± 0.20	X.*	± 5'
.XX	± 0.15	.X'	± 2'
.XXX	± 0.10	.XX'	± 1'

Website: [www.bsc-elec.com](http://www.bsc-elec.com)  
Email: [bestcreate@bsc-elec.com](mailto:bestcreate@bsc-elec.com)

DESIGN: I. L DATE:

CHECKED: C. W DATE:

APPROVED: C. W DATE:

TITLE: IPX7 WATERPROOF 16PUSB C FEMALE CONNECTOR MID MOUNT 1.18MM

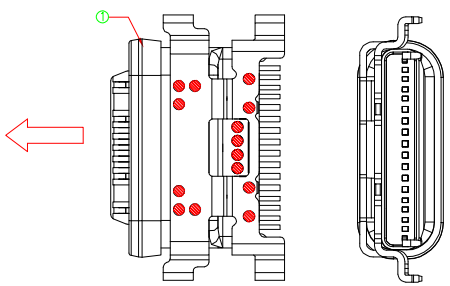
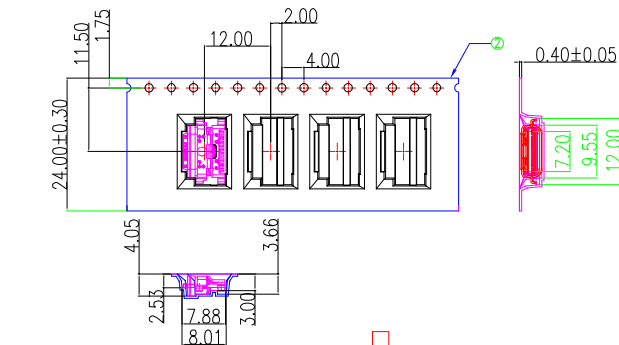
MATERILA: PART NO: U06-CFXX5R-W081 SIZE: A4

FINSH: DWG NO: U06-CFXX5R-W081 2 OF 3

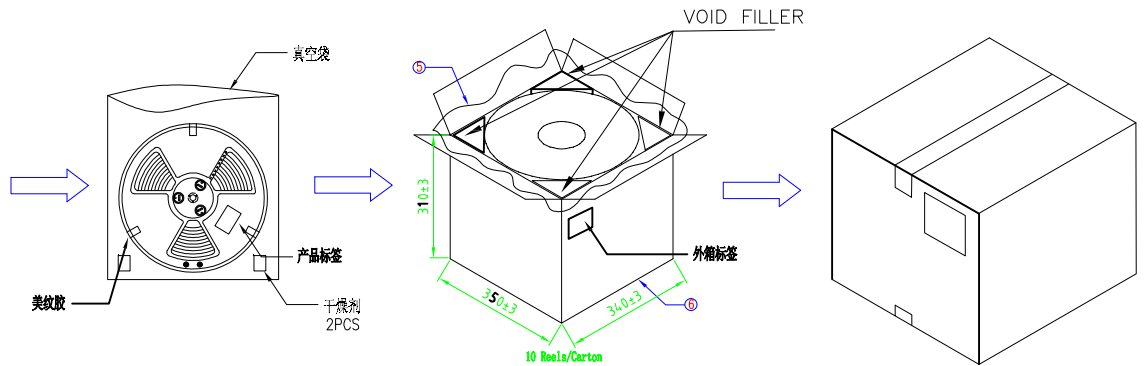
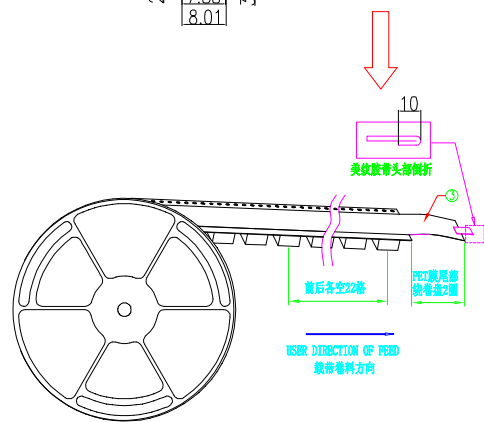
REV:	UNIT	SCALE	QUALITY SYMBOLS
A	mm	1=1	

RoHS Compliant

REVISIONS			
REV.	DESCRIPTION	DATE	DESIGN



Notes:  
 1.Quantity/Reel:1500 pcs/Reel  
 数量/卷:1500 pcs/卷  
 Quantity/Outer Carton: 1500\*10=15000 pcs  
 数量/外箱:1500\*10=15000 pcs  
 2.Weight:  
 N.W±  
 净重毛重:12.6±0.5Kg  
 3.Free s In the Front Carrier And  
 Free pcs Products In the End Carrier.  
 载带前后各空22格.



⑥	Outer Carton	1	K=K	34*34*30cm?	90001
⑤	PE Beg	1	PE	(400+250)x800x0.06mm	92003
④	Paper Reel	10	White paper Plate	φ330mm	P-0001-091
③	Cover Tape	18.202m	PET	t=0.06mm,W=21.3mm	96001
②	Carrier Tape	16.128m	Transparent PET	t=0.40mm	P-0001-093
①	Product	1500			LS-U323104-182
NO.	PART NAME	Q'TY	MATERIAL	REMARKS	PART NO.

**Bestcreate Technology Limited**

TOLERANCES UNLESS OTHERWISE SPECIFIED:		DESIGN: I. L	DATE:	TITLE: IPX7 WATERPROOF 16PUSB C FEMALE CONNECTOR MID MOUNT 1.18MM	
.X ± 0.20	X.* ± 5'	CHECKED: C. W	DATE:	MATERILA:	PART NO: U06-CFXX5R-W081
.XX ± 0.15	.X' ± 2'	APPROVED: C. W	DATE:	FINSH:	DWG NO: U06-CFXX5R-W081
.XXX ± 0.10	.XX' ± 1'				SIZE: A4
Website:www.bsc-elec.com				3 OF 3	
Email:bestcreate@bsc-elec.com					

REV: A	UNIT mm	SCALE 1=1	QUALITY SYMBOLS
--------	---------	-----------	-----------------