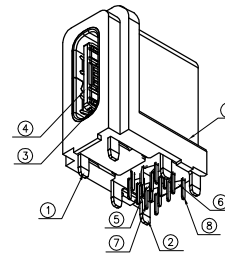
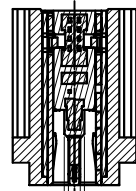
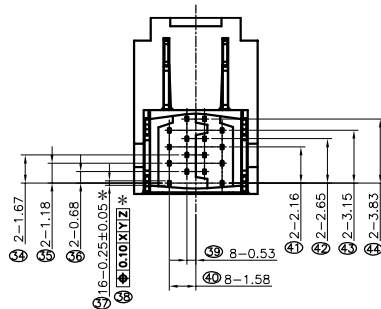
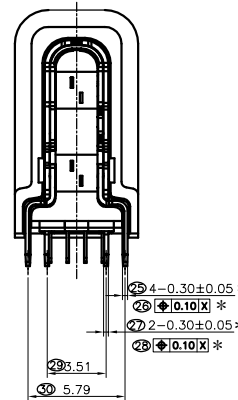
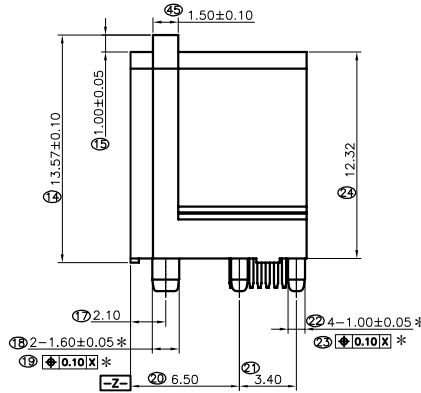
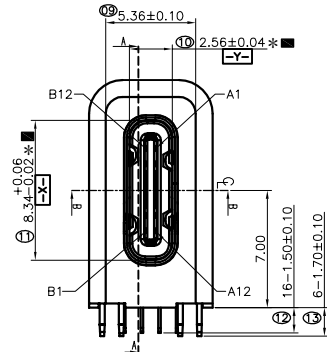
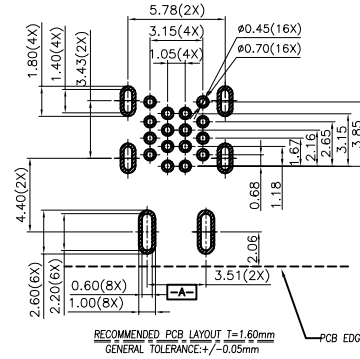
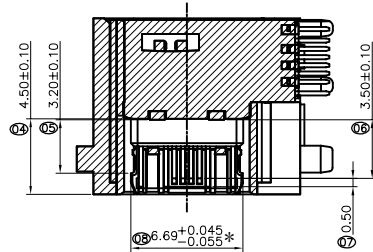
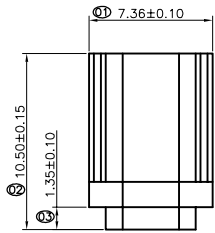


RoHS Compliant

REVISIONS			
REV.	DESCRIPTION	DATE	DESIGN

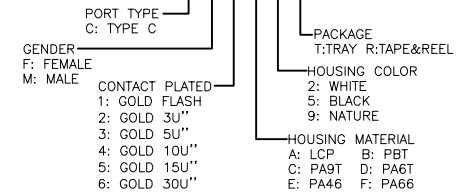


NOTE:

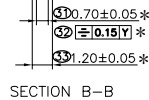
- Electrical Characteristics:
  - 1-1: Current Rating: 5A For Pin(A4,A9,B4,B9)  
1.25A For Pin(B5)  
0.25A For Others Pin
  - 1-2: VOLTAGE RATING:20V
  - 1-3: Insulation Resistance: 100MΩ Min.
  - 1-4: Contact Resistance:  
VBUS & GND PINS AND OTHER PINS: 40mΩ/PIN MAX.  
SHIELD:50mΩ/MAX.  
SHIELD:ILCCR MAX. CHANGE OF ALL PINS: 10mΩ.
  - 1-5: Dielectric Withstanding Voltage: 100V/AC 1Minute
- Mechanical Characteristics:
  - Insertion Force: 5~20N
  - Extraction Force: Initial: 8~20N  
After durability: 6~20N
  - Durability :10000 Cycles
- \* Operating Temperature: -25°C TO +85°C
- WATERPROOF RANGE IS IPX4

PART NO. INFORMATION

U06-C F X X 5 X - W071



PIN ASSIGNMENT											
A1	A2	A3	A4	A5	A6	A7	A8	A9	A10	A11	A12
GND	\	\	VBUS	CC1	Dp1	Dn1	SBU1	VBUS	\	\	GND
GND	\	\	VBUS	SBU2	Dn2	Dp2	CC2	VBUS	\	\	GND
B12	B11	B10	B9	B8	B7	B6	B5	B4	B3	B2	B1



NO.	NAME	QT'Y	MATERIAL	PLATING
9	Jacket	1	LCP E130I,UL94 V-0	Black
8	Up Terminal	12	C7025-TM02,T=0.15	Contact Area:Pd Ni 0.30um Min, Au Solder Area:Au 0.05um Min Ni 2.0-5.0um over all
7	Down Terminal	12		
6	Up Moding	1	LCP E130I,UL94 V-0	Black
5	Down Moding	1		
4	Second Moding	1		
3	中夹片	1	SUS301-H,T=0.20	Ni 1.0-5.0um Underplating
2	内壳	1	SUS304-3/4H,T=0.30	Ni 1.0-5.0um Underplating
1	外壳	1	SUS304-3/4H,T=0.30	Ni 1.0-5.0um Underplating
NO.	NAME	QT'Y	MATERIAL	PLATING

**Bestcreate Technology Limited**

TOLERANCES UNLESS OTHERWISE SPECIFIED:

.X	± 0.30	X.*	± 2'
.XX	± 0.10	.X*	± 1'
.XXX	± 0.05	.XX*	± 0.5'

Website:www.bsc-elec.com  
Email:bestcreate@bsc-elec.com

DESIGN: I. L DATE:

CHECKED: C. W DATE:

APPROVED: C. W DATE:

TITLE: IPX4 Waterproof 16P USB C Female Connector, CH=7.0 45W

MATERIAL: FINSH: PART NO: U06-CFXX5X-W071 SIZE: A4  
DWG NO: U06-CFXX5X-W071

REV: A UNIT mm SCALE 1=1 QUALITY SYMBOLS