

RoHS Compliant

REVISIONS			
REV.	DESCRIPTION	DATE	DESIGN

NOTE:

1. MATERIAL:

- 1.1 INSULATOR: HIGH TEMPERATURE PLASTIC UL 94 V-0;
- 1.2 CONTACT: COPPER ALLOY(T=0.15mm)
- 1.3 SHELL: SUS(T=0.17mm)

2. ELECTRICAL CHARACTERISTICS:

- 2.1 CONTACT RESISTANCE: 40mΩ Max FOR INITIAL. 10mΩ CHANGE

AFTER TEST. MEASURE AT 20mV, 100mA.

- 2.2 CONTACT CURRENT RATING: 3A FOR VBUS PIN;
- 2.3 DIELECTRIC WITHSTANDING VOLTAGE: 100V AC R. M. S.
- 2.4 INSULATION RESISTANCE 100MΩ Min
- 2.5 OPERATING TEMPERATURE: -40° C ~ 85° C

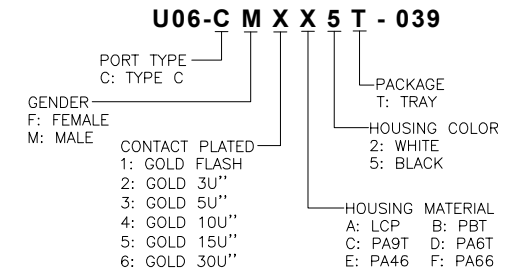
3. MECHANICAL CHARACTERISTICS:

- 3.1 MATING FORCE: 5~20 N.
- 3.2 UNMATED FORCE: 8~20N BEFORE TEST, 6~20N AFTER TEST
- 3.3 DURABILITY: 10,000 CYCLES

4. PLATING

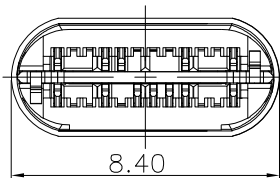
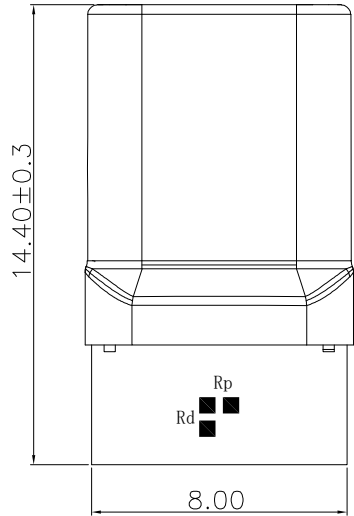
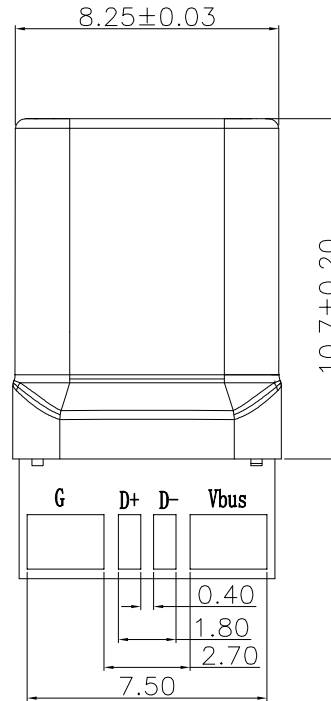
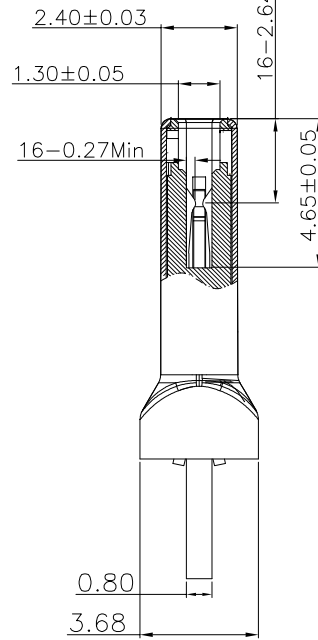
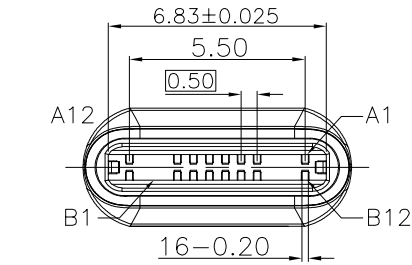
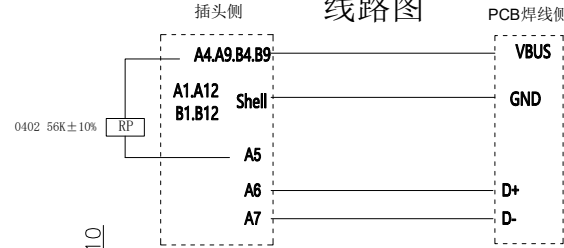
- 4.1 TERMINAL CONTACT: See item No
- 4.2 SHELL: See item No
- 4.3 SALT SPRAY: 24H

PART NO. INFORMATION



Pin	Signal Name	Pin	Signal Name
A1	GND	B12	GND
A4	V <sub>bus</sub>	B9	V <sub>bus</sub>
A5	CC1	B8	SBU2
A6	Dp1	B7	Dn2
A7	Dn1	B6	Dp2
A8	SBU1	B5	CC2
A9	V <sub>bus</sub>	B4	V <sub>bus</sub>
A12	GND	B1	GND

线路图



**Bestcreate Technology Limited**

TOLERANCES UNLESS OTHERWISE SPECIFIED:

.X	±	0.25	.X.	±	5°
.XX	±	0.20	.X°	±	4°
.XXX	±	0.15	.XX°	±	3°

Website: www.bsc-elec.com  
Email: bestcreate@bsc-elec.com

DESIGN: I. L  
DATE: 2022. 5. 13

CHECKED: C. W  
DATE: 2022. 5. 13

APPROVED: C. W  
DATE: 2022. 5. 13

TITLE: TYPE-C 16PIN 公头 壳长10.6, LCP胶芯黑色, 无EMI. 端子C5191镀金3u". 壳镀镍 盐雾24H RP 56K 4PAD

MATERIAL: PART NO: U06-CMXX5T-039  
FINISH: DWG NO: U06-CMXX5T-039

SIZE: A4

REV: A UNIT mm SCALE 1=1 QUALITY SYMBOLS