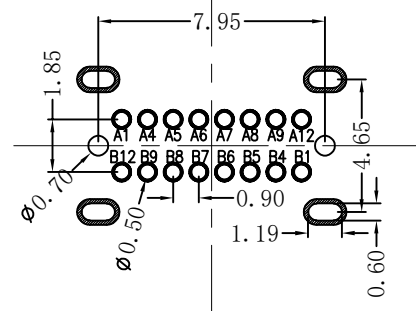
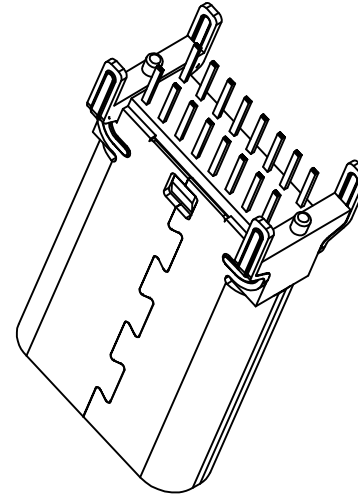
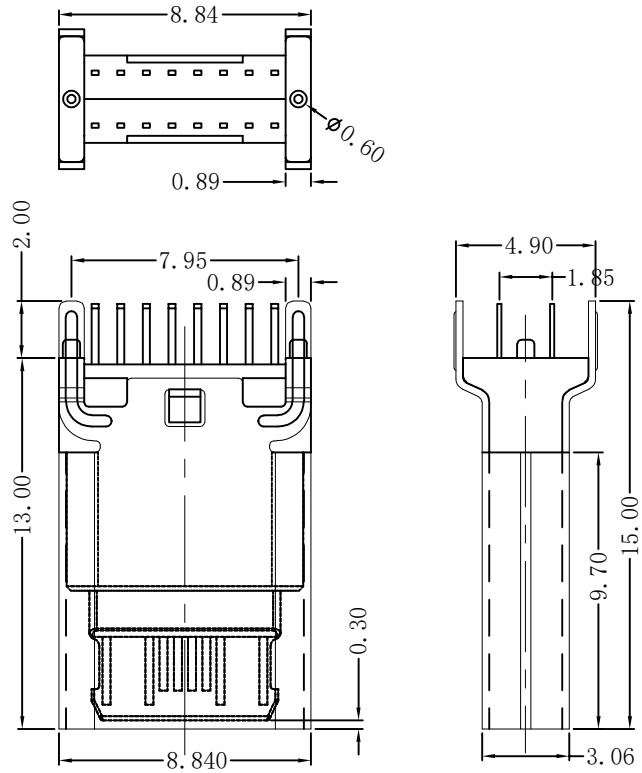
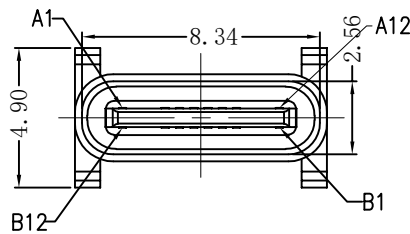


RoHS Compliant

REVISIONS			
REV.	DESCRIPTION	DATE	DESIGN



- 一、 Raw materials:
 1. Plastic: UL 94V-0 LCP black
 2. Terminal: 0.15 thick copper alloy C2680/C7025
 3. Shell: Stainless steel 201/304
 4. Hook: Stainless steel 201/304
- 二、 Electroplating:
 1. Terminal: Half gold glossy tin 1u"
 2. Shell: Nickel plated
- 三、 Mechanical performance:
 - Insertion force: 5-20N
 - Pullout force: 8-20N before life test, 5-20N after life test
 - Durable to plug and unplug: 500 times/H, 10000 times
 - Working temperature: 0 °C~+50 °C
 - Storage temperature: -20 °C~+60 °C
- 四、 Electrical performance:
 - Rated current: C2680/3A; C7025/5A
 - Contact impedance: Before life testing: 40 MΩ MAX
after life test: 50 MΩ MAX
 - High voltage resistance: 100V AC for 1 minute Min
 - No breakdown, no arc
 - Insulation impedance: 100 M MIN
- 五、 Environmental performance:
 - Environmental protection: The product meets ROHS requirements
 - Salt spray test: temperature 35 ± 2 °C,
 - Humidity: 95-98%;
 - PH value: 6.5-7.2,
 - 48H gold-plated area, 24H nickel plated area
 - Welding process: It is recommended to use reflow soldering,
 - Temperature resistance of 260 degrees, 8S



A1	GN	B12	GN
A4	YBIS	B9	YBIS
A5	CC	B8	SOZ
A6	IP1	B7	INC
A7	INL	B6	IP2
A8	SO1	B5	CC
A9	YBIS	B4	YBIS
A12	GN	B1	GN
PIN	SIGNAL NAME	PIN	SIGNAL NAME

PART NO. INFORMATION

U06-C F X X 5 R - 083-V4

- PORT TYPE
C: TYPE C
- GENDER
F: FEMALE
M: MALE
- CONTACT PLATED
1: GOLD FLASH
2: GOLD 3U"
3: GOLD 5U"
4: GOLD 10U"
5: GOLD 15U"
6: GOLD 30U"
- PACKAGE
R: TAPE REEL
- HOUSING COLOR
2: WHITE
5: BLACK
9: NATURE
- HOUSING MATERIAL
A: LCP B: PBT
C: PA9T D: PA6T
E: PA46 F: PA66

TOLERANCES UNLESS OTHERWISE SPECIFIED:

.X	± 0.30	.X'	± 5'
.XX	± 0.15	.X''	± 2'
.XXX	± 0.10	.XX''	± 1'

DESIGN: I.L DATE:

CHECKED: C.W DATE:

APPROVED: C.W DATE:

TITLE:

TYPE-C FEMALE 16P VERTICAL DIP 13.0H

MATERIAL:

PART NO: U06-CFXX5R-083-V4

SIZE: A4

FINISH:

DWG NO: U06-CFXX5R-083-V4

1 OF 1

Bestcreate Technology Limited

REV: A UNIT mm SCALE 1=1 QUALITY SYMBOLS

Website: www.bsc-elec.com
Email: bestcreate@bsc-elec.com