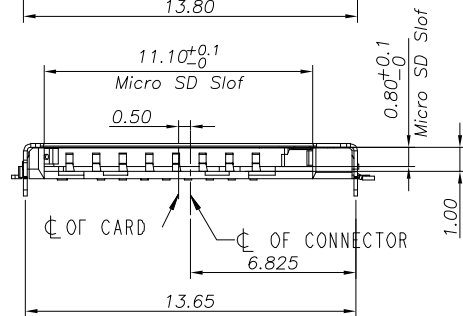
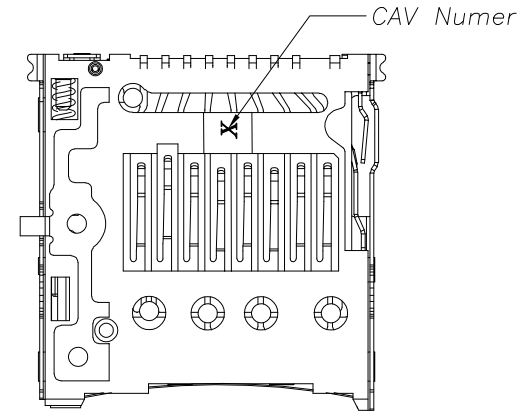
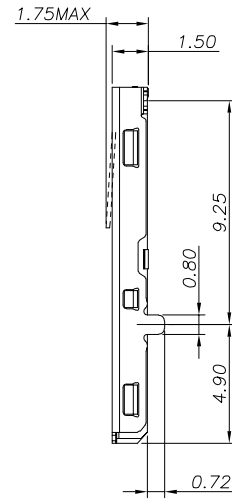
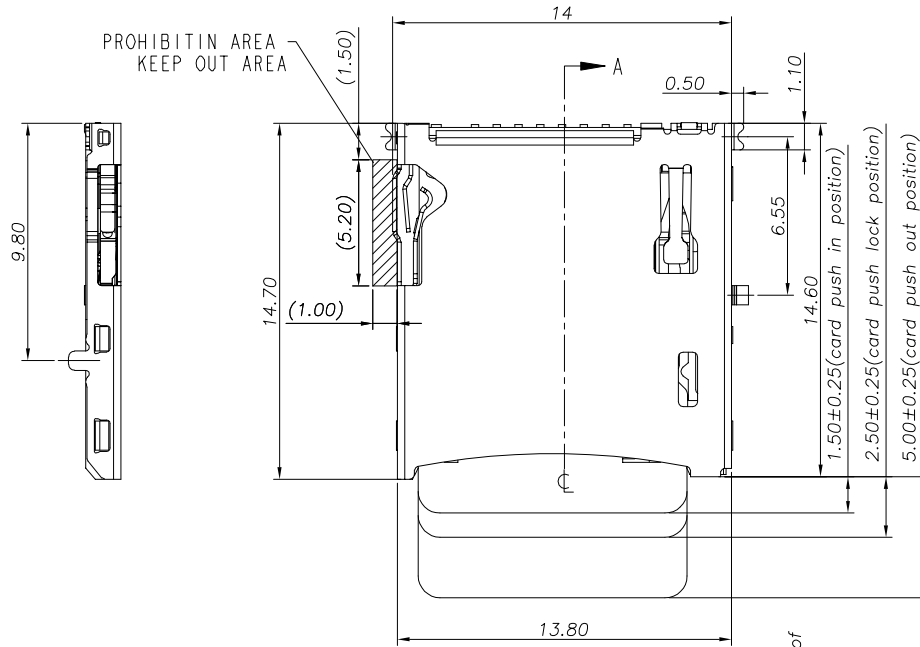
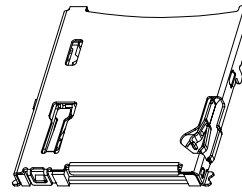
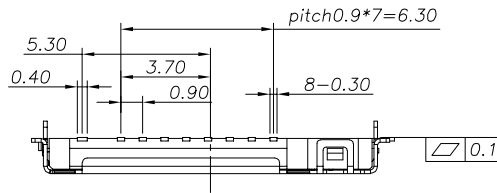


RoHS Compliant

| REVISIONS |             |      |        |
|-----------|-------------|------|--------|
| REV.      | DESCRIPTION | DATE | DESIGN |
|           |             |      |        |

A  
B  
C  
D

A  
B  
C  
D



**MSD - 10 X X 5 R - 006**

- 10:10P
- CONTACT PLATED
- 1: GOLD FLASH
- 2: GOLD 3U"
- 3: GOLD 5U"
- 4: GOLD 10U"
- 5: GOLD 15U"
- 6: GOLD 30U"
- PACKAGE
- R: TAPE REEL
- HOUSING COLOR
- 2: WHITE
- 5: BLACK
- 9: NATURE
- HOUSING MATERIAL
- A: LCP B: PBT
- C: PA9T D: PA6T
- E: PA46 F: PA66

**Bestcreate Technology Limited**

TOLERANCES UNLESS OTHERWISE SPECIFIED:

|      |        |      |      |
|------|--------|------|------|
| .X   | ± 0.35 | X'   | ± 5' |
| .XX  | ± 0.25 | .X'  | ± 2' |
| .XXX | ± 0.15 | .XX' | ± 1' |

Website: www.bsc-elec.com  
Email: bestcreate@bsc-elec.com

DESIGN: I.L DATE: 2017. 3. 1

CHECKED: C.W DATE: 2017. 3. 1

APPROVED: C.W DATE: 2017. 3. 1

TITLE: TOP MOUNT MICRO SD P/P 1.5H

MATERILA: FINSH: PART NO: MSD-10XX5R-006 SIZE: A4

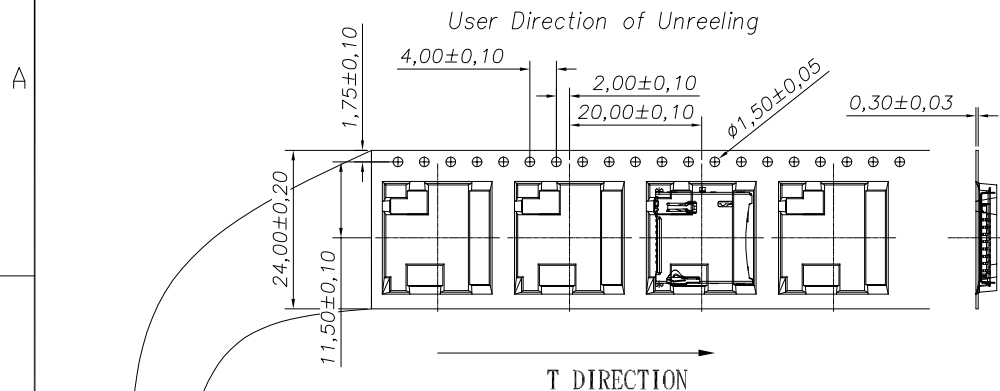
DWG NO: MSD-10XX5R-006 1 OF 3

REV: A UNIT mm SCALE 1=1 QUALITY SYMBOLS



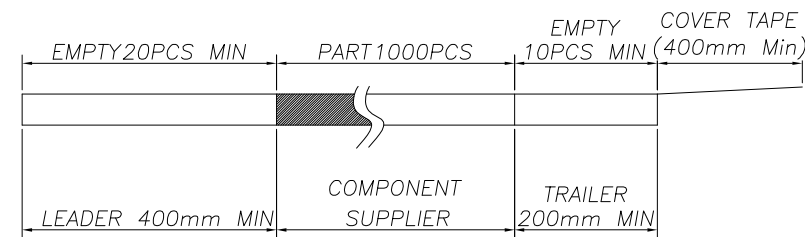
RoHS Compliant

| REVISIONS |             |      |        |
|-----------|-------------|------|--------|
| REV.      | DESCRIPTION | DATE | DESIGN |
|           |             |      |        |

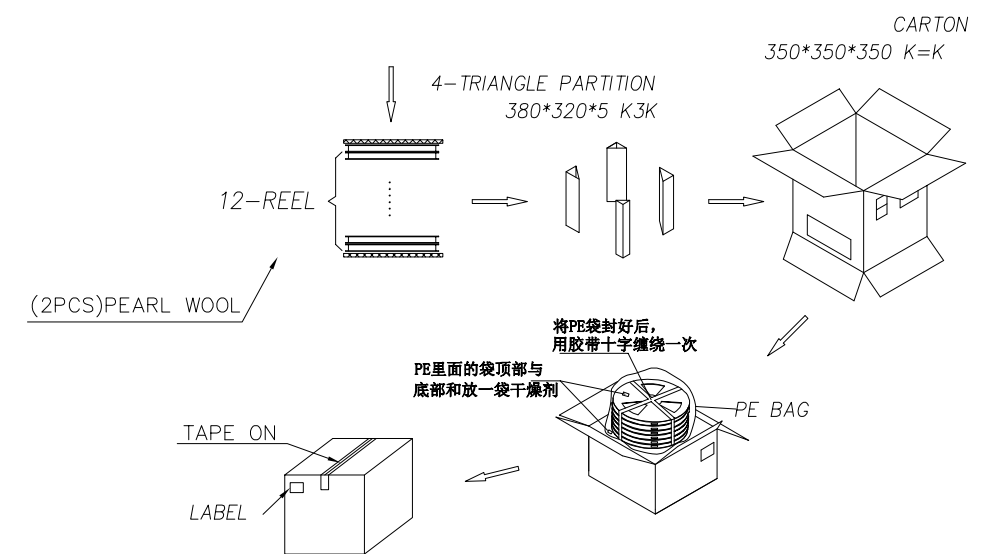
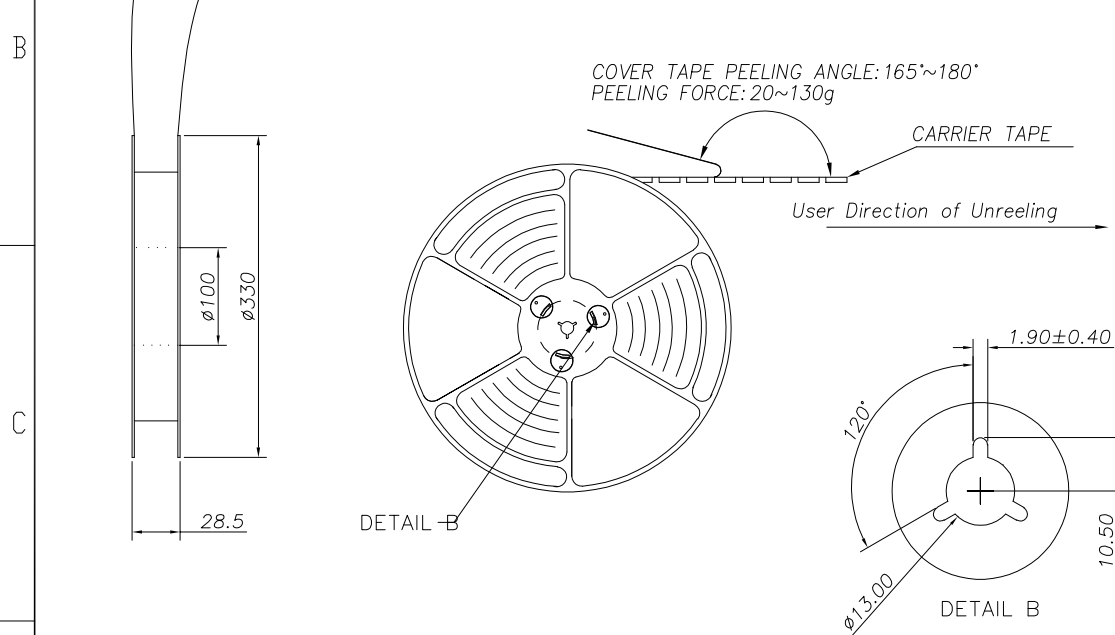


NOTES

1. NUMBER OF CONNECTORS: 1000 PCS/REEL
2. LEAD TAPE LENGTH



3. QUANTITY: 12000 PCS/CARTON



|      |             |          |             |            |
|------|-------------|----------|-------------|------------|
| ITEM | PRODUCT NO. | 900      | 10          | 9000       |
|      |             | PCS/REEL | REEL/CARTON | PCS/CARTON |

|                                      |          |            |  |                           |                |                  |                                    |                         |          |
|--------------------------------------|----------|------------|--|---------------------------|----------------|------------------|------------------------------------|-------------------------|----------|
| <b>Bestcreate Technology Limited</b> |          |            | TOLERANCES UNLESS OTHERWISE SPECIFIED: |                           | DESIGN: I. L   | DATE: 2017. 3. 1 | TITLE: TOP MOUNT MICRO SD P/P 1.5H |                         |          |
|                                      |          |            | .X ± 0.35                              | X' ± 5'                   | CHECKED: C. W  | DATE: 2017. 3. 1 | MATERIAL: FINSH:                   | PART NO: MSD-10XX5R-006 | SIZE: A4 |
| REV: A                               | UNIT: mm | SCALE: 1=1 | QUALITY SYMBOLS                        | Website: www.bsc-elec.com | APPROVED: C. W | DATE: 2017. 3. 1 | DWG NO: MSD-10XX5R-006             | 3 OF 3                  |          |
| 1                                    | 2        | 3          | 4                                      | 5                         | 6              | 7                | 8                                  |                         |          |