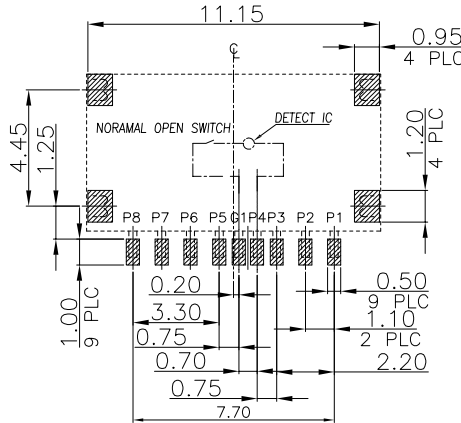
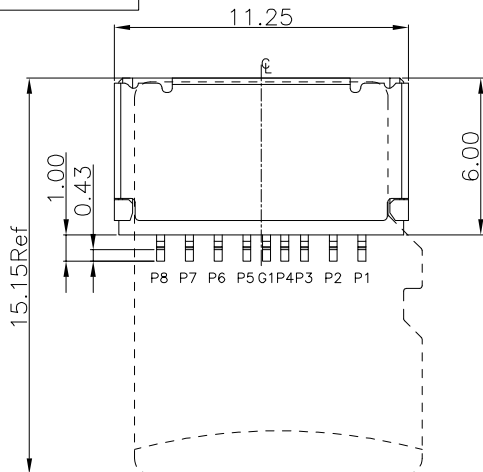
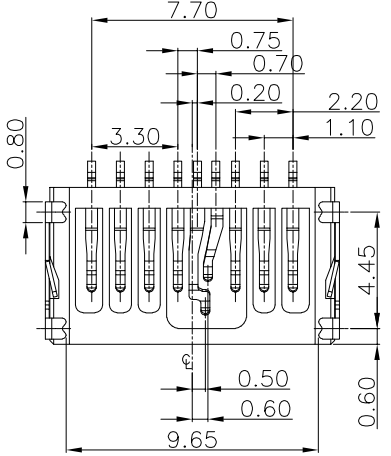
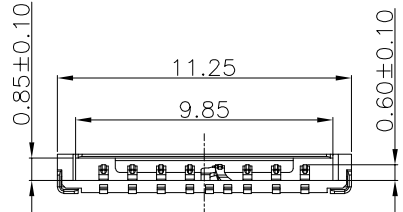
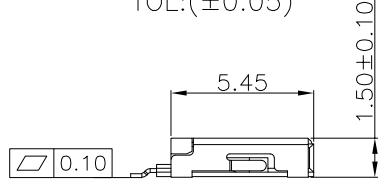


RoHS Compliant

REVISIONS			
REV.	DESCRIPTION	DATE	DESIGN

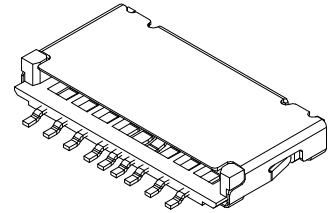


RECOMMENDED PCB LAYOUT  
TOL:(±0.05)



P8	DAT1
P7	DAT0
P6	VSS
P5	CLK
G1	SWITCH
P4	VDD
P3	CMD
P2	CD/DAT3
P1	DAT2
PIN NUMBER	PIN NUMBER

- NOTES:
- MATERIAL:  
HOUSING: HIGHT-TEMP. PLASIC UL 94V-0  
CONTACT: COPPER ALLOY, T=0.15  
SHELL: STAINLESS STEEL ,T=0.15
  - FINISH :  
CONTACT: Au 1u" PLATED ON CONTACT AREA;  
Au 1u" PLATING ON SOLDER TAILS,  
SHELL: NICKEL PLATED OVERALL,  
Au 1u" PLATING ON SOLDER TAILS,



PART NO. INFORMATION

**TFWF - 09 X X 5 R - 002**

09:9P

CONTACT PLATED  
1: GOLD FLASH  
2: GOLD 3U"  
3: GOLD 5U"  
4: GOLD 10U"  
5: GOLD 15U"  
6: GOLD 30U"

PACKAGE  
R: TAPE REEL

HOUSING COLOR  
2: WHITE  
5: BLACK  
9: NATURE

HOUSING MATERIAL  
A: LCP B: PBT  
C: PA9T D: PA6T  
E: PA46 F: PA66

**Bestcreate Technology Limited**

TOLERANCES UNLESS OTHERWISE SPECIFIED:

.X	± 0.35	X'	± 5'
.XX	± 0.25	.X'	± 2'
.XXX	± 0.15	.XX'	± 1'

Website: www.bsc-elec.com  
Email: bestcreate@bsc-elec.com

DESIGN: I. L  
DATE: 2017. 3. 1

CHECKED: C. W  
DATE: 2017. 3. 1

APPROVED: C. W  
DATE: 2017. 3. 1

TITLE: T-FLASH CONN 1.5H (SIMPLE SWITCH TYPE)

MATERILA: FINSH:

PART NO: TFWF-09XX5R-002  
DWG NO: TFWF-09XX5R-002

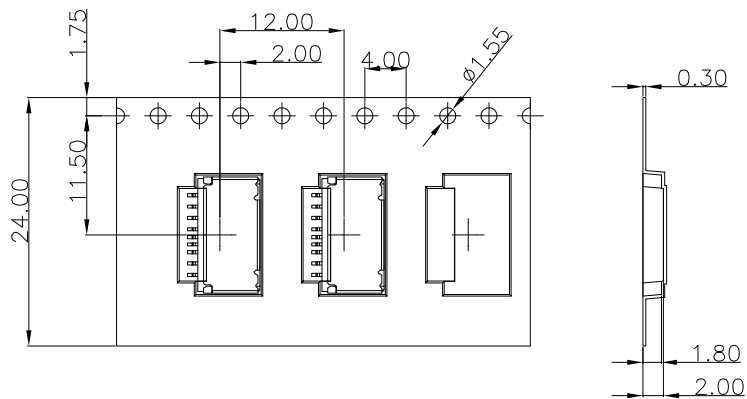
SIZE: A4  
1 OF 2

REV:	UNIT	SCALE	QUALITY SYMBOLS
A	mm	1=1	

RoHS Compliant

REVISIONS			
REV.	DESCRIPTION	DATE	DESIGN

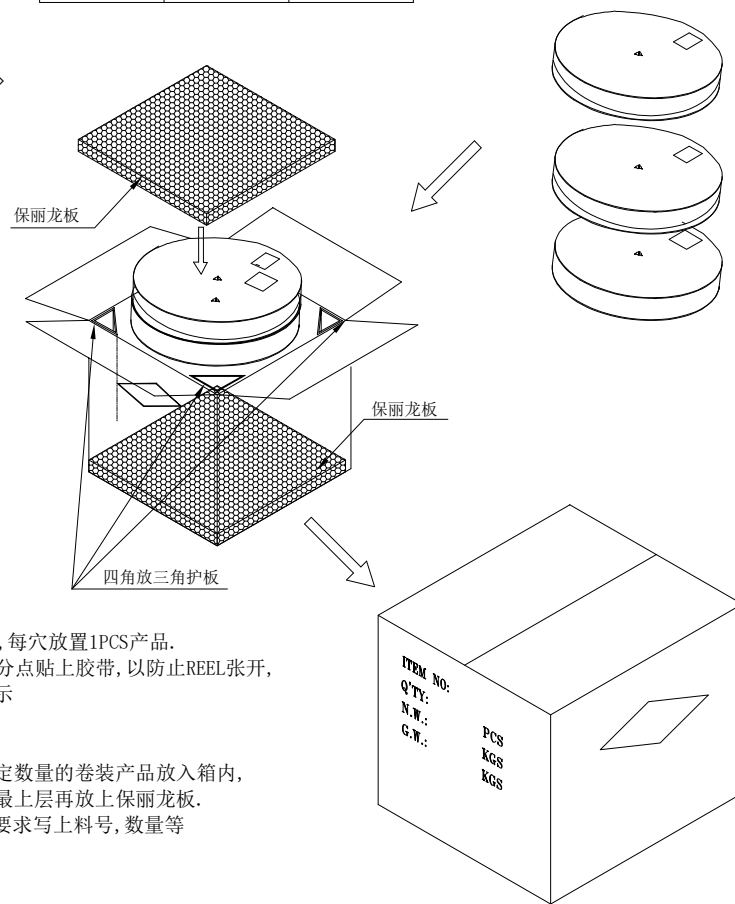
<图一>



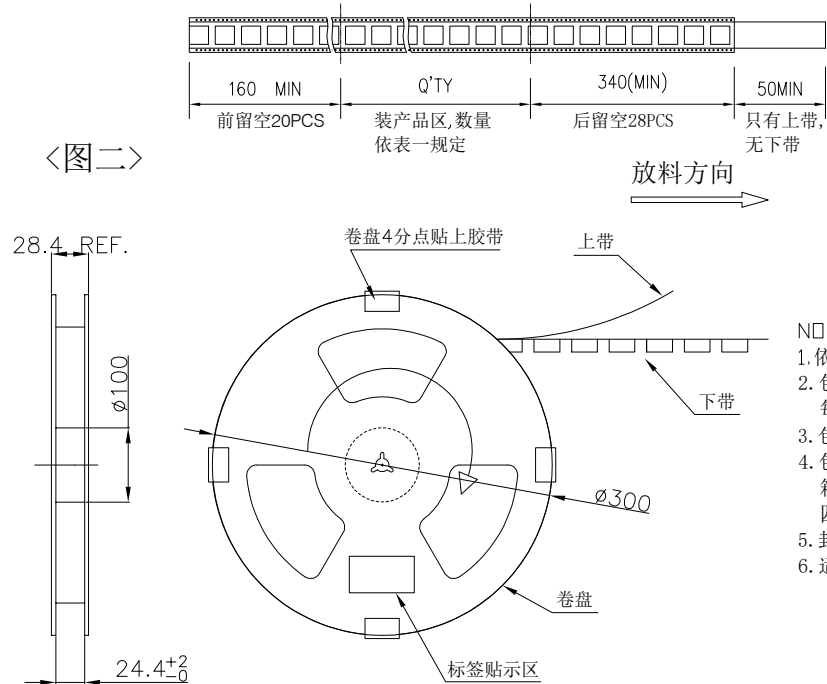
<表一>

包装数量		
PCS/卷	卷/箱	PCS/箱
2500	10	25000

<图三>



<图二>



- NOTE:
- 依<图一>示放置产品于下载中, 每穴放置1PCS产品.
  - 包装机包好后, 在REEL的个等分点贴上胶带, 以防止REEL张开, 每REEL贴1PCS标签, 如<图二>示
  - 包装数量见如<表一>示
  - 包装成箱见如<图三>示  
箱底放保丽龙板, 再依次将指定数量的卷装产品放入箱内, 四角分别放入四个三角护板, 最上层再放上保丽龙板.
  - 封箱, 在封好的纸箱上按客户要求写上料号, 数量等
  - 适用成品料号见如下<表二>

**Bestcreate Technology Limited**

TOLERANCES UNLESS OTHERWISE SPECIFIED:			
.X	± 0.35	X'	± 5'
.XX	± 0.25	.X'	± 2'
.XXX	± 0.15	.XX'	± 1'
Website: www.bsc-elec.com			
Email: bestcreate@bsc-elec.com			

DESIGN:	DATE:
I. L	2017. 3. 1
CHECKED:	DATE:
C. W	2017. 3. 1
APPROVED:	DATE:
C. W	2017. 3. 1

TITLE:		
T-FLASH CONN 1.5H (SIMPLE SWITCH TYPE)		
MATERILA:	PART NO:	SIZE:
	TFWF-09XX5R-002	A4
FINSH:	DWG NO:	
	TFWF-09XX5R-002	2 OF 2

REV:	UNIT	SCALE	QUALITY SYMBOLS
A	mm	1=1	