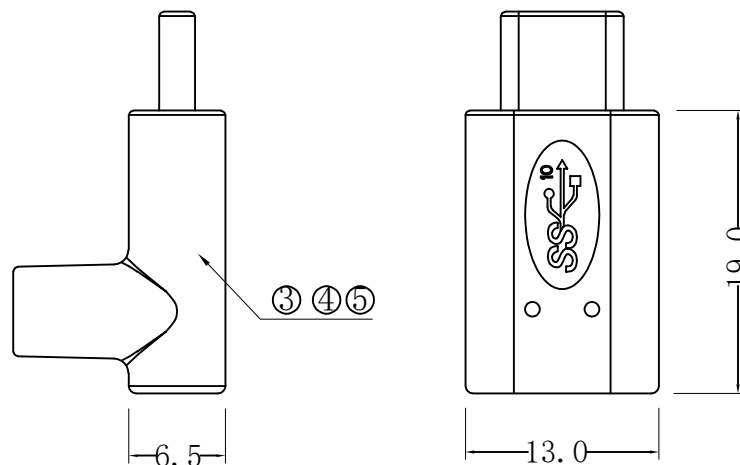
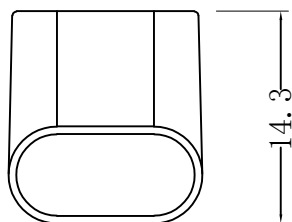
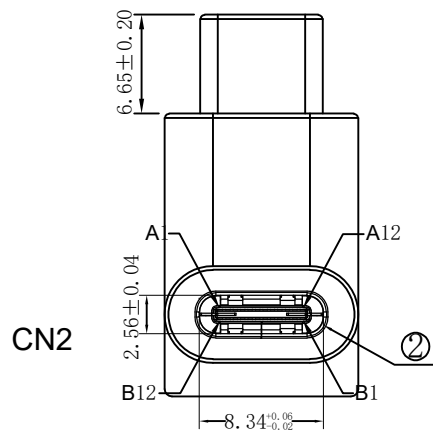
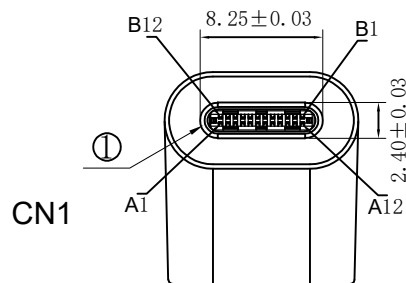


RoHS Compliant

REVISIONS			
REV.	DESCRIPTION	DATE	DESIGN



- NOTE:
- ELECTRICAL CHARACTERISTICS:
 - CONTACT RESISTANCE: 80mΩ Max
 - CONTACT CURRENT RATING: 1.5 A
 - DIELECTRIC WITHSTANDING VOLTAGE: 100 V R. M. S.
 - INSULATION RESISTANCE 100 MEGOHMS Min
 - OPERATING TEMPERATURE: -25° C ~ 75° C
 - MECHANICAL CHARACTERISTICS:
 - MATING FORCE: USB CM 5~20N & MICRO USB 35N Max.
 - UNMATED FORCE: USB CM 8~20N & MICRO USB 10N Min.
 - PLATING
 - TERMINAL CONTACT: (SEE TAB) GOLD PLATING ALL OVER 50u"MIN NICKEL
 - SHELL: 50u"MIN. NICEL ALL OVER

3	TYPE CM		TYPE C M NI	1PCS
2	TYPE CF		TYPE C F NI	0.005KG
1	PCBA		TYPE CM TO CF, NICKEL PLATED	1PCS
Item	Name	Part Number	Description	Q'TY

Bestcreate Technology Limited

TOLERANCES UNLESS OTHERWISE SPECIFIED:

X.	± 0.50	X'	± 5'
.X	± 0.30	.X'	± 2'
.XX	± 0.10	.XX'	± 1'

Website: www.bsc-elec.com
 Email: bestcreate@bsc-elec.com

DESIGN: I. L. DATE: 2017. 3. 1
 CHECKED: C. W. DATE: 2017. 3. 1
 APPROVED: C. W. DATE: 2017. 3. 1

TITLE: USB3. 1 CM TO USB3. 1 CF ADAPTER
 MATERILA: FINSH: DWG NO: AD31CMCF-055
 PART NO: AD31CMCF-055
 SIZE: A4

REV: A UNIT mm SCALE 1=1 QUALITY SYMBOLS