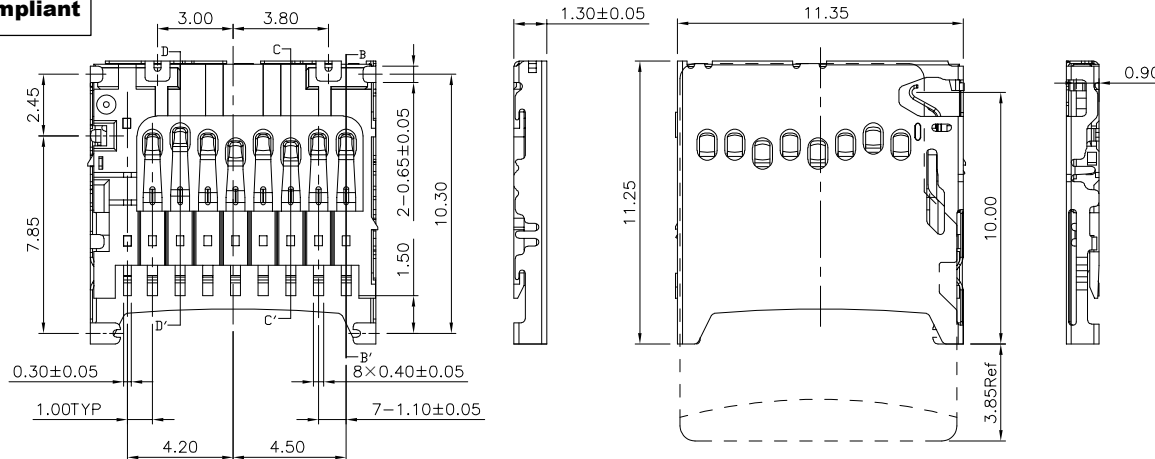


RoHS Compliant

REVISIONS			
REV.	DESCRIPTION	DATE	DESIGN



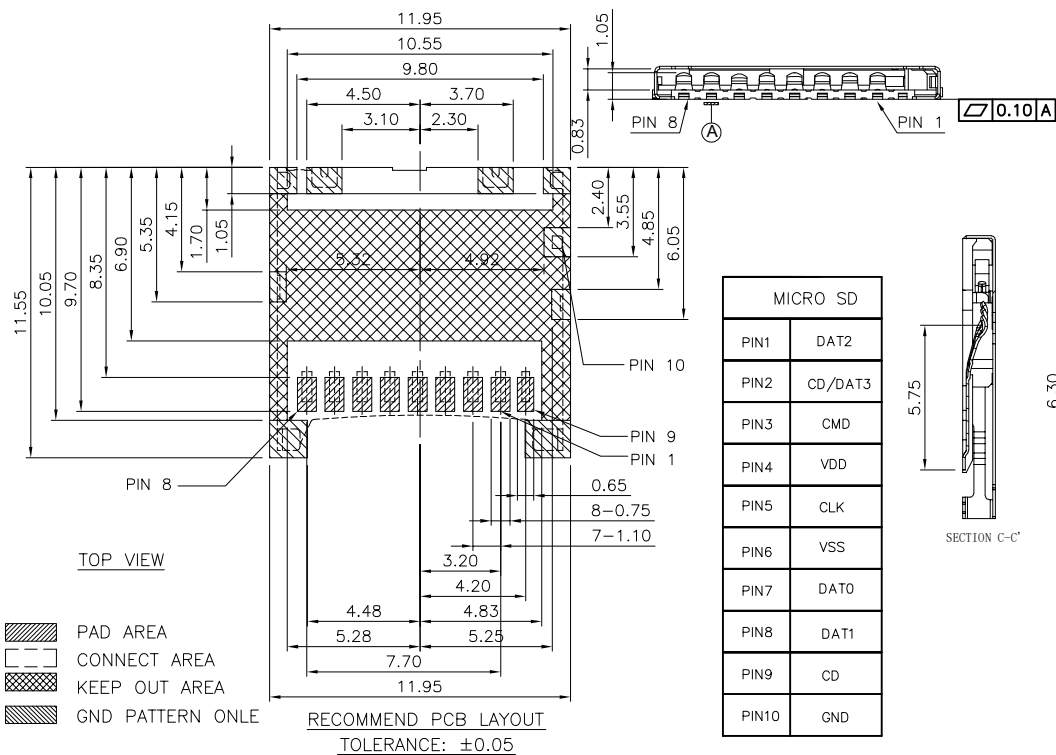
**MATERIALS**

1. HOUSING :LCP BLACK, (UL 94V-0).
2. TERMINAL : C5210R-SH,T=0.10±0.01mm,Ni 30u",Au 1u"
3. SHELL : 304-1/2H,T=0.10±0.01mm,Ni 50u",Au 1u"
3. DETECT PIN:SUS301-1/2H,Ni 50u",Au 1u"

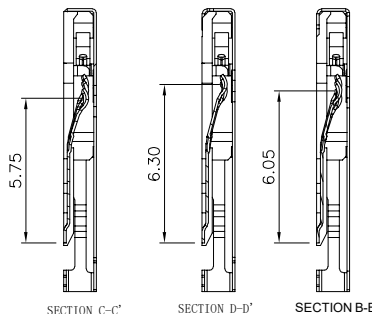
**SPECIFICATION**

1. CURRENT RATING : 0.5 A. MAX.
2. DIELECTRIC WITHSTANDING VOLTAGE : 500V AC R.M.S. FOR 1 MINUTE.
3. INSULATION RESISTANCE : 1000MΩ MIN.AT 500V DC.
4. CONTACT RESISTANCE : 100mΩ MAX.
5. OPERATING LIFE: 3000 CYCLES.
6. Salt condition for 48hours.
7. OPERATING TEMPERATURE : -40°C TO +85°C.
8. CIRCUIT DIAGRAM FOR CARD DETECT SWITCH

GND(PIN 10) O  
 NDRMAL.....SHORT  
 INSERTING CARD.....OPEN



MICRO SD	
PIN1	DAT2
PIN2	CD/DAT3
PIN3	CMD
PIN4	VDD
PIN5	CLK
PIN6	VSS
PIN7	DAT0
PIN8	DAT1
PIN9	CD
PIN10	GND



**PART NO. INFORMATION**

**TFWF - 09 X X 5 R - 001**

- 09:09P
- CONTACT PLATED
- 1: GOLD FLASH
- 2: GOLD 3U"
- 3: GOLD 5U"
- 4: GOLD 10U"
- 5: GOLD 15U"
- 6: GOLD 30U"
- PACKAGE R: TAPE REEL
- HOUSING COLOR
- 2: WHITE
- 5: BLACK
- 9: NATURE
- HOUSING MATERIAL
- A: LCP B: PBT
- C: PA9T D: PA6T
- E: PA46 F: PA66

**Bestcreate Technology Limited**

TOLERANCES UNLESS OTHERWISE SPECIFIED:

.X	±	0.35	X.'	±	5'
.XX	±	0.25	.X'	±	2'
.XXX	±	0.15	.XX'	±	1'

Website:www.bsc-elec.com

Email:bestcreate@bsc-elec.com

DESIGN: DATE: 2017. 3. 1

I. L. 2017. 3. 1

CHECKED: DATE: 2017. 3. 1

C. W. 2017. 3. 1

APPROVED: DATE: 2017. 3. 1

C. W. 2017. 3. 1

TITLE: T-FLASH CARD 1.3H

MATERILA: PART NO: TFWF-09XX5R-001 SIZE: A4

FINSH: DWG NO: TFWF-09XX5R-001 1 OF 2

REV: A UNIT mm SCALE 1=1 QUALITY SYMBOLS